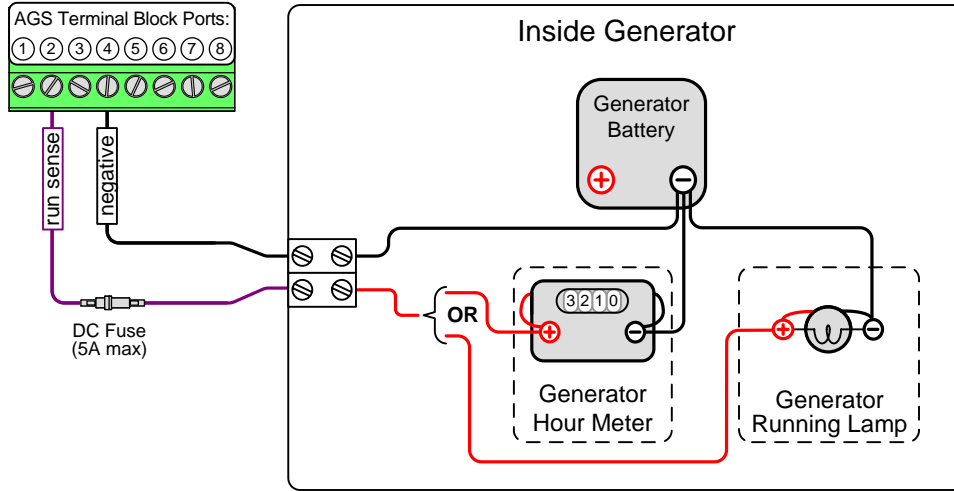


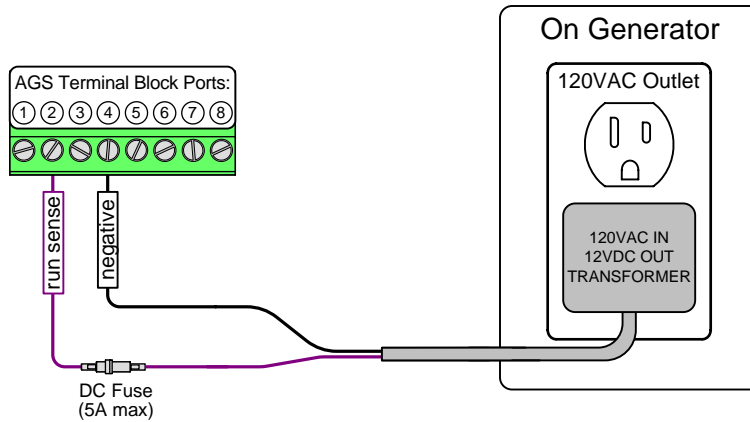
## Options for the Generator Run Sense Output needed by the AGS

**What is my generator does not have a run sense output?** If your generator is not equipped with a generator run sense output, review the following options to obtain it.

Option 1 - Tap into the positive side of the generator's hour meter or running light; ensure the voltage is 10 to 40 VDC only while the generator is running.



Option 2 - Use a 120VAC to 12VDC step-down transformer (normally used to charge power equipment batteries) and plug into the generator's 120VAC output. The step-down transformer provides 12 VDC output only while the generator is running.



Option 3 - Use an external 120VAC coiled relay to bring the generator's battery voltage to the AGS run sense port (AGS Terminal Block Port #2) only while the generator is running. The generator's battery voltage must be 10 to 40 VDC.

