

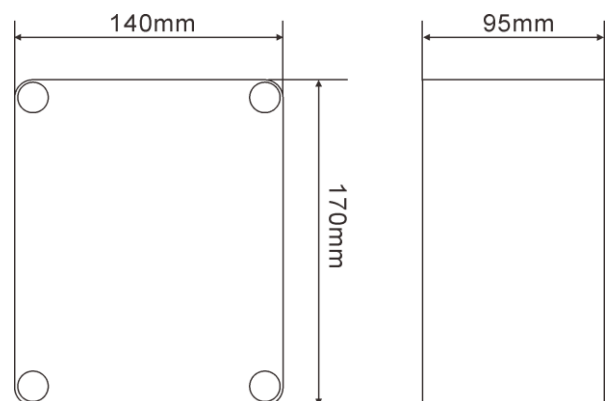


RSD START KIT

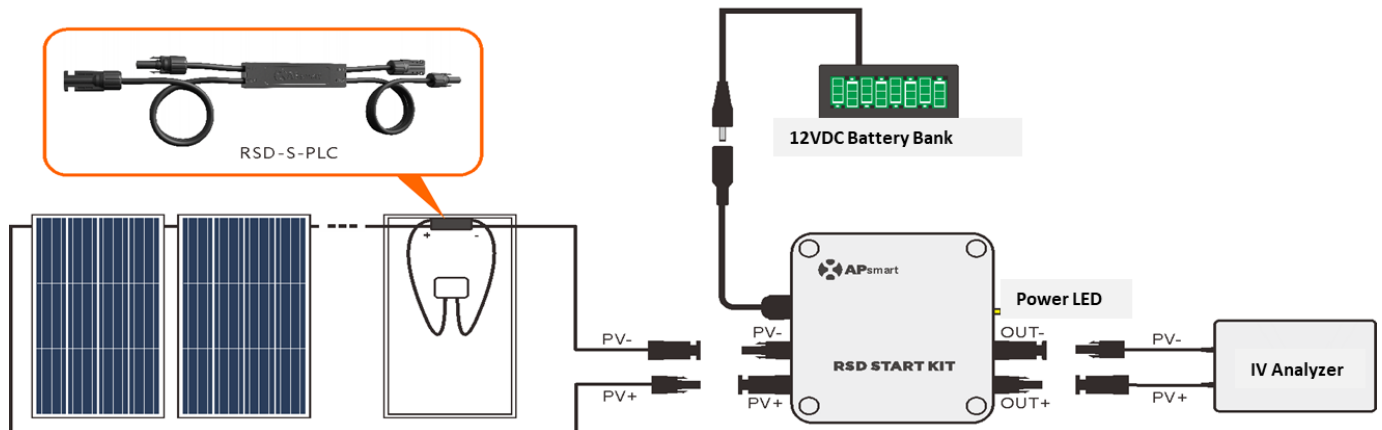
DESCRIPTION

After solar array has installed all photovoltaics modules, IV curve is usually tested by PV Analyzer to ensure PV modules are properly installed and solar array is performing as expected. For the system installed APsmart Rapid Shutdown solutions, it needs to connect the RSD Start Kit in series between PV string and PV Analyzer, and then perform IV curve test with PV Analyzer after all APsmart RSD-S-PLC functional to turn on PV modules power.

DIMENSIONS



TEST SETUP AND PROCEDURE



- ① As shown above, connect RSD START KIT in series between PV string and PV Analyzer.
- ② Use the 12Vdc mobile power supply to power the RSD START KIT through USB port on the side.
- ③ Wait for 10s after the power LED light on, start IV curve test with the PV Analyzer.

TECHNICAL DATA

Input Voltage	12Vdc
Input Current	0.8A
Power Supply	5.5X2.1 mm DC power connector
Operating Temperature Range	-40°C~+60°C
Enclosure Rating	IP30
Dimensions	140mmx170mmx95mm
Weight	550g

ORDER INFORMATION

408008

RSD START KIT (DC Power supply case included, but not battery)