

NON LISTED

BLENDTRON

WTR20-10

May 25

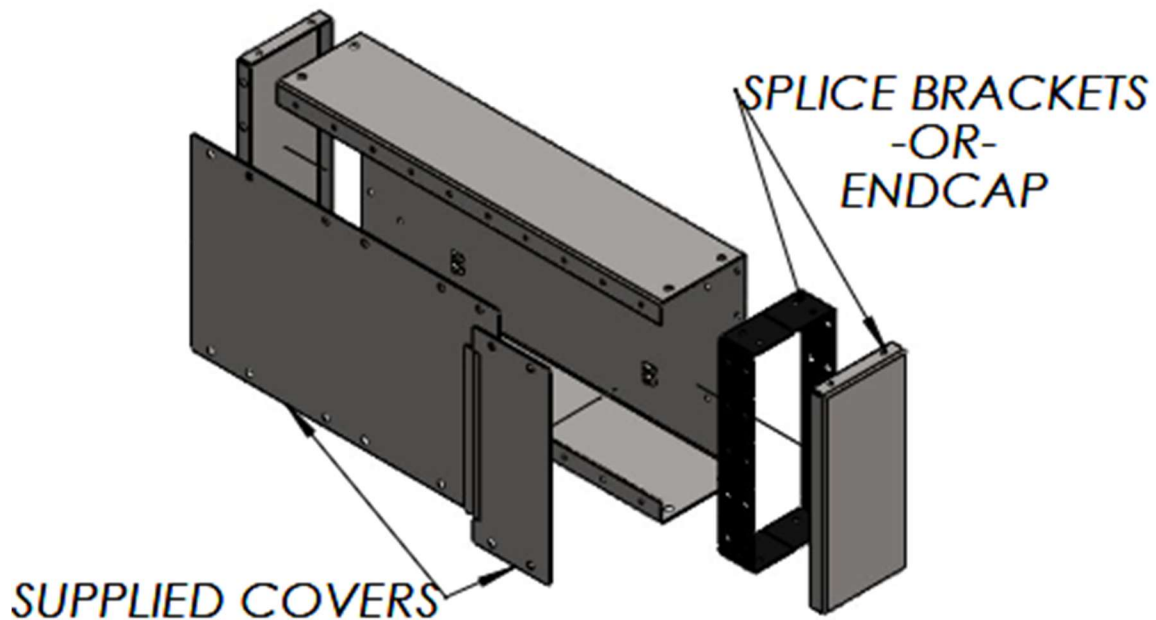
Blendtron Wire Tray System

- **Product Overview**

- The Blendtron Wire Tray System is designed to enhance cable management. It Offers a clean, organized, and aesthetically pleasing solution for managing wires in various installations.

- **Key Features and Benefits**

- UL/Intertek certified.
- Made from high-quality, powder coated, 16ga steel.
- Simple and quick to install, saving time.
- Serviceability is easier due to the open platform.
- Enhances safety by organizing and securing cables, reducing the risk of accidents.
- Improved Aesthetics versus the appearance of multiple pieces of conduit.

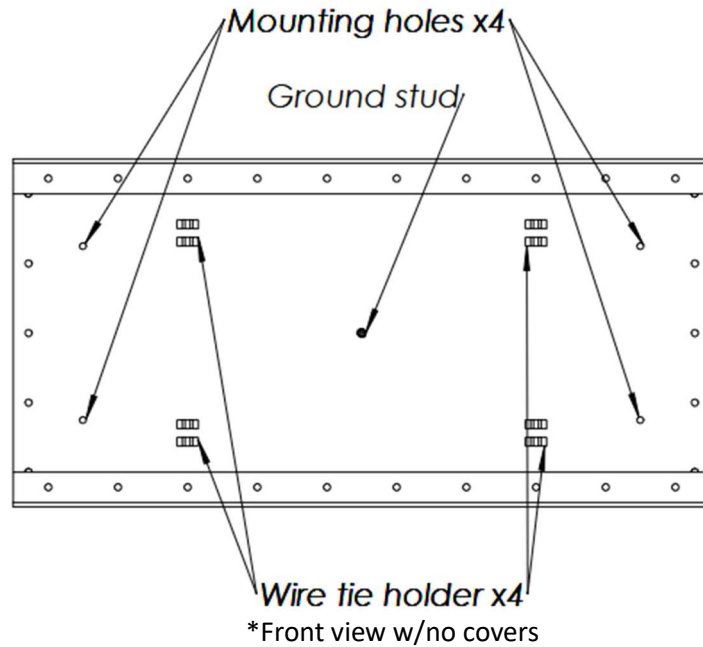
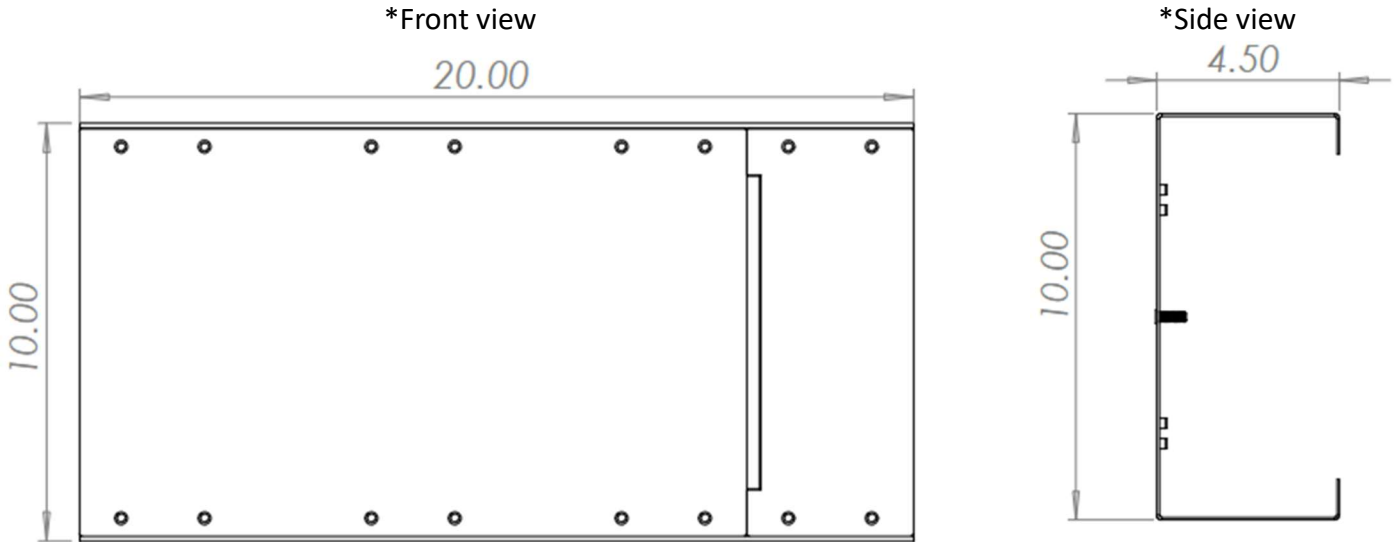


Blendtron
11585 W 700 S Millersburg, IN 46543
T: (574) 281 – 4037 E: rep@blendtron.com

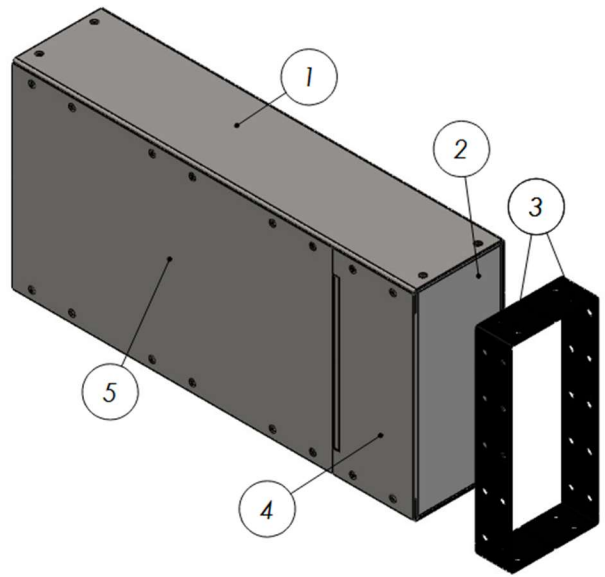
NON LISTED

- Specifications

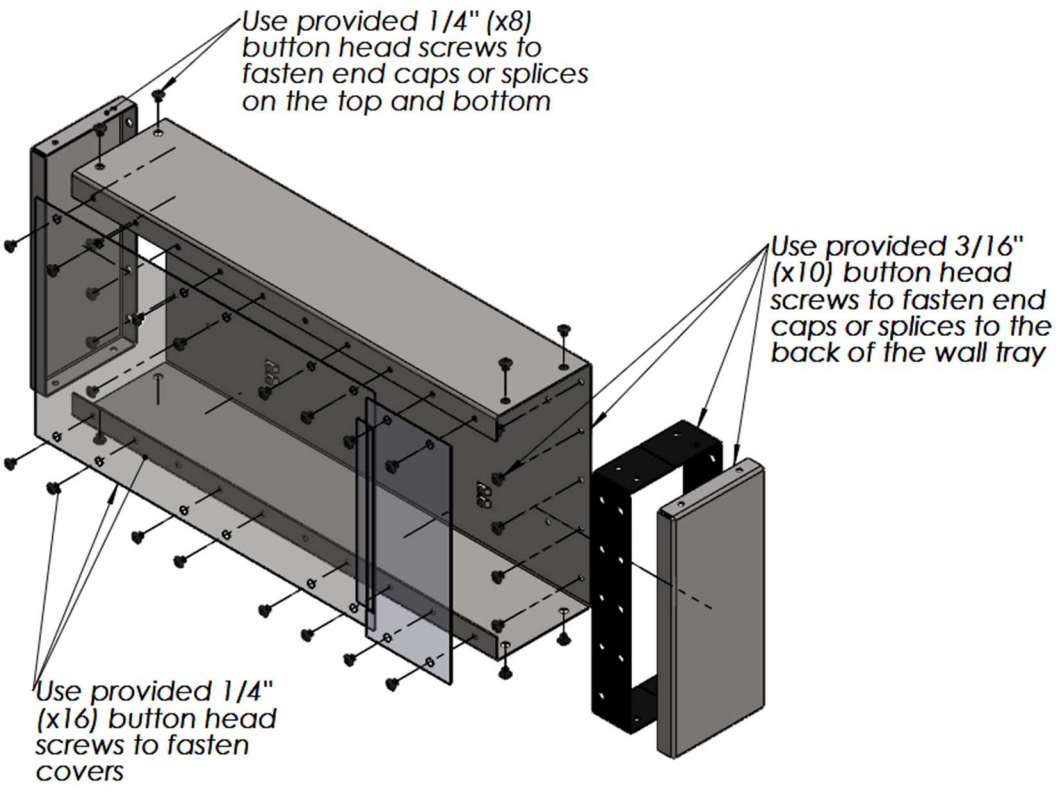
- Dimensions: 10" H x 20" W x 4.5" D
- Weight: ~11.5lbs. (Vary's based on configuration +/- .5lb)
- Material: 16 ga Plain Carbon Steel
- Color: Black
- Certification: UL/Intertek Type 1 (5028822)
- Compatibility: All -10 products except 18" angled trays (ATR12-10, ATR15-10, ATR36-10) when used as standalone unit



NON LISTED



ITEM NO.	PART NUMBER	DESCRIPTION	QTY.
1	20607-1	30IN WALL TRAY	1
2	20993	END CAP	2
3	20994	HALF SPLICE	2
4	20990	4" WIRE TRAY COVER W/FLANGE	1
5	20995	16" COVER	1



Blendtron
 11585 W 700 S Millersburg, IN 46543
 T: (574) 281 – 4037 E: rep@blendtron.com