

NON LISTED

# **BLENDTRON**

## **WTR30-10**

3/25

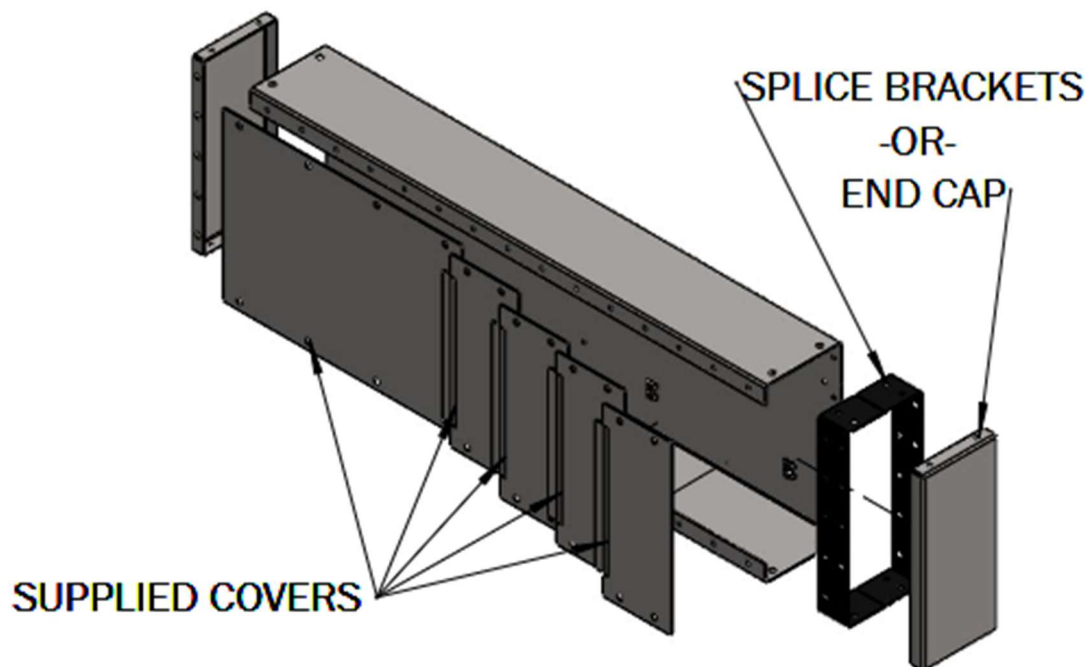
### **Blendtron Wire Tray System**

- **Product Overview**

- The Blendtron Wire Tray System is designed to enhance cable management. It Offers a clean, organized, and aesthetically pleasing solution for managing wires in various installations.

- **Key Features and Benefits**

- UL/Intertek certified.
- Made from high-quality, powder coated, 16ga steel.
- Simple and quick to install, saving time.
- Serviceability is easier due to the open platform.
- Enhances safety by organizing and securing cables, reducing the risk of accidents.
- Improved Aesthetics versus the appearance of multiple pieces of conduit.



Blendtron  
11585 W 700 S Millersburg, IN 46543  
T: (574) 281 – 4037 E: rep@blendtron.com

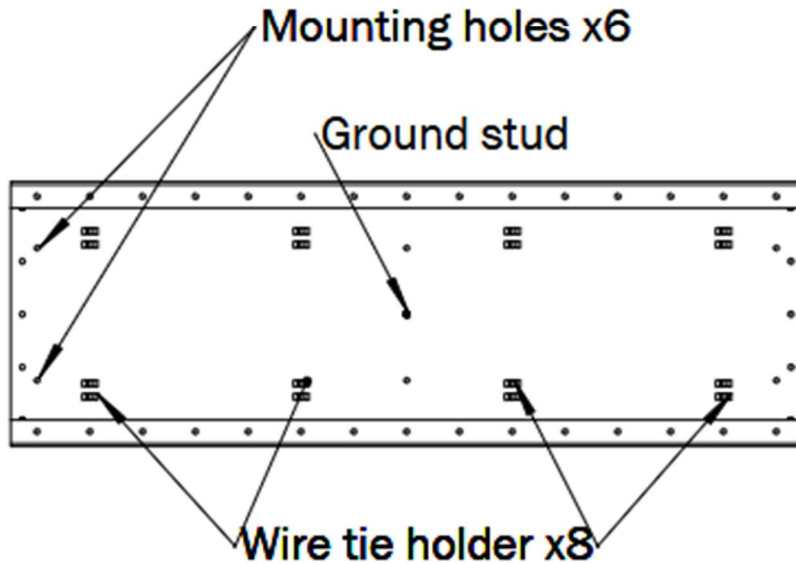
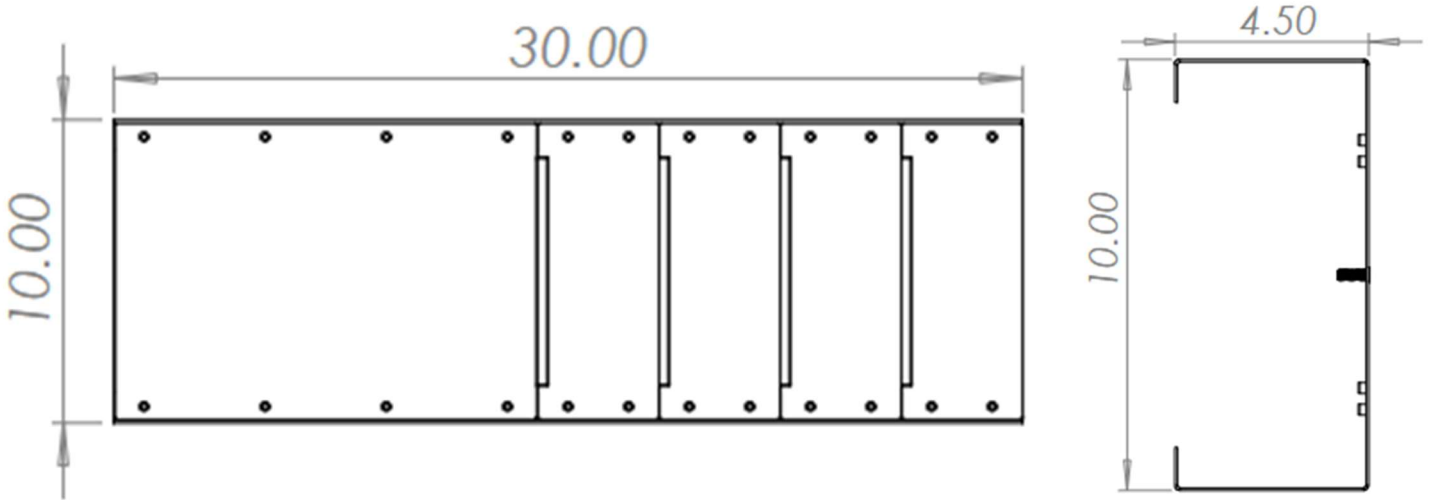
# NON LISTED

- Specifications

- Dimensions: 10" H x 30" W x 4.5" D
- Weight: ~17.5lbs. (Vary's based on configuration +/- .5lb)
- Material: 16 ga Plain Carbon Steel
- Color: Black
- Certification: UL/Intertek Type 1 (5028822)
- Compatibility: All -10 products

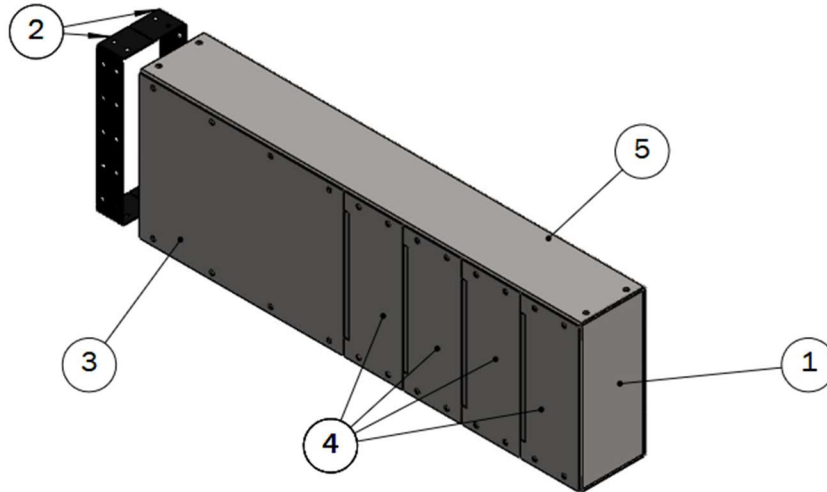
\*Front view

\*Side view



\*Front view with no covers

# NON LISTED



ITEM NO.	PART NUMBER	DESCRIPTION	QTY.
1	15626-6	WALL TRAY END CAP	2
2	15626-10	HALF SPLICE	2
3	15626-11	14IN COVER W/NO FLANGE	1
4	15626-8	4IN COVER	4
5	30in-1	30IN WALL TRAY	1

