

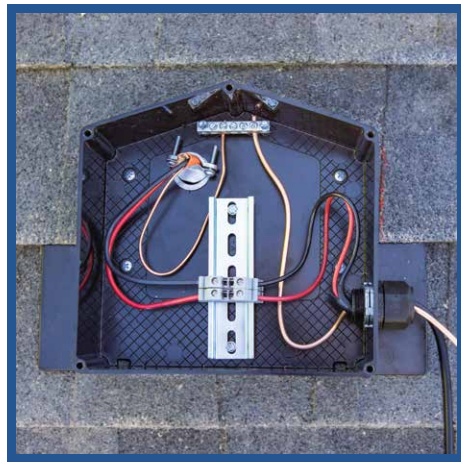
XL



THE ULTIMATE ROOFTOP JUNCTION BOX

JUST GOT BIGGER... AND BETTER!

INTRODUCING JB-1.XL



COST EFFECTIVE

- We believe that EVERYONE should have access to affordable renewable energy
- Larger box at a lower cost

MORE SPACE

- Made from advanced durable polycarbonate + superior components, UL1741, Type 3R
- 3 patented layers of water protection
- 2 Weep Holes for breathability

FAST INSTALL

- Enter through 3 Side Walls
- Minimal Shingle Cutting
- Din Rail pre-installed



A. System Specifications and Ratings

- Maximum Voltage: 1,000 Volts
- Maximum Current: 120 Amps
- Allowable Wire: 14 AWG – 6 AWG
- Spacing: Please maintain a spacing of at least ½” between uninsulated live parts and fittings for conduit, armored cable, and uninsulated live parts of opposite polarity.
- Enclosure Rating: Type 3R
- Roof Slope Range: 2.5 – 12:12
- Max Side Wall Fitting Size: 1”
- Max Floor Pass-Through Fitting Size: 1”
- Ambient Operating Conditions: (-35°C) - (+75°C)
- Compliance:
 - JB-1.XL: UL1741
 - Approved wire connectors: must conform to UL1741
- System Marking: **Interek Symbol and File #5019942**
- Periodic Re-inspections: If re-inspections yield loose components, loose fasteners, or any corrosion between components, components that are found to be affected are to be replaced immediately.

Table 1: Typical Wire Size, Torque Loads and Ratings

	1 Conductor	2 Conductor	Torque				
			Type	NM	Inch Lbs	Voltage	Current
ABB ZS6 terminal block	10-24 awg	16-24 awg	Sol/Str	0.5-0.7	6.2-8.85	600V	30 amp
ABB ZS10 terminal block	6-24 awg	12-20 awg	Sol/Str	1.0-1.6	8.85-14.16	600V	40 amp
ABB ZS16 terminal block	4-24 awg	10-20 awg	Sol/Str	1.6-2.4	14.6-21.24	600V	60 amp
ABB M6/8 terminal block	8-22 awg		Sol/Str	.08-1	8.85	600V	50 amp
Ideal 452 Red WING-NUT Wire Connector	8-18 awg		Sol/Str			600V	
Ideal 451 Yellow WING-NUT Wire Connector	10-18 awg		Sol/Str			600V	
Ideal, In-Sure Push-In Connector Part #39	10-14 awg		Sol/Str			600V	
WAGO, 221-612	10-14 awg		Sol/Str			600V	
International Hydraulics 2S2/0	10-14 awg		Sol/Str	4	35		
	8 awg		Sol/Str	4.5	40		
Brumall 4-5,3	4-6 awg		Sol/Str		45	2000V	
	10-14 awg		Sol/Str		35		
Blackburn LL414	4-14 awg		Sol/Str				

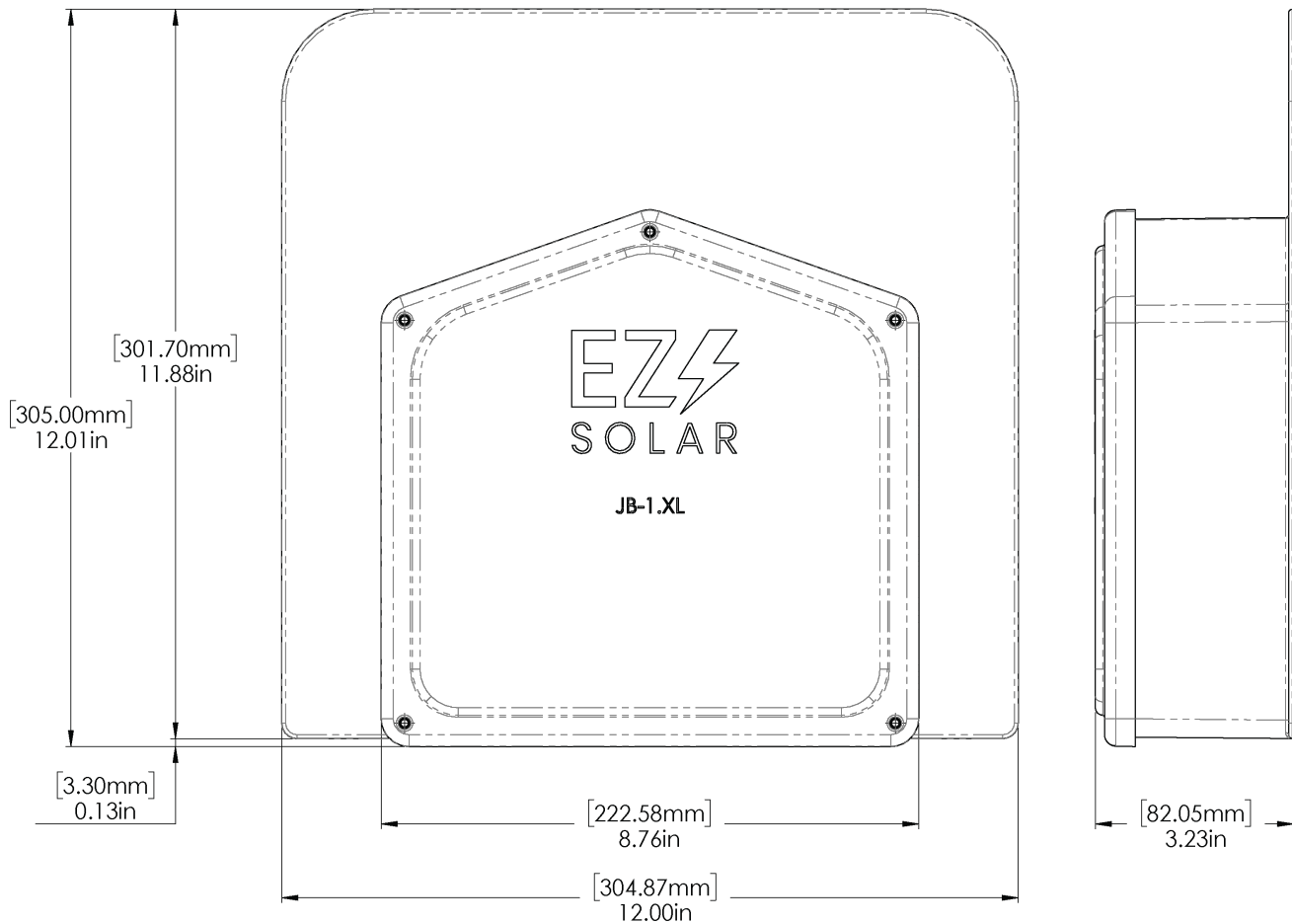
Table 2: Minimum wire-bending space for conductors through a wall opposite terminals in mm (inches)

Wire size, AWG or		Wires per terminal (pole)			
		1	2	3	4 or More
kcmil	(mm2)	mm (inch)	mm (inch)	mm (inch)	mm (inch)
14-10	(2.1-5.3)	Not specified	-	-	-
8	(8.4)	38.1 (1-1/2)	-	-	-
6	(13.3)	50.8 (2)	-	-	-

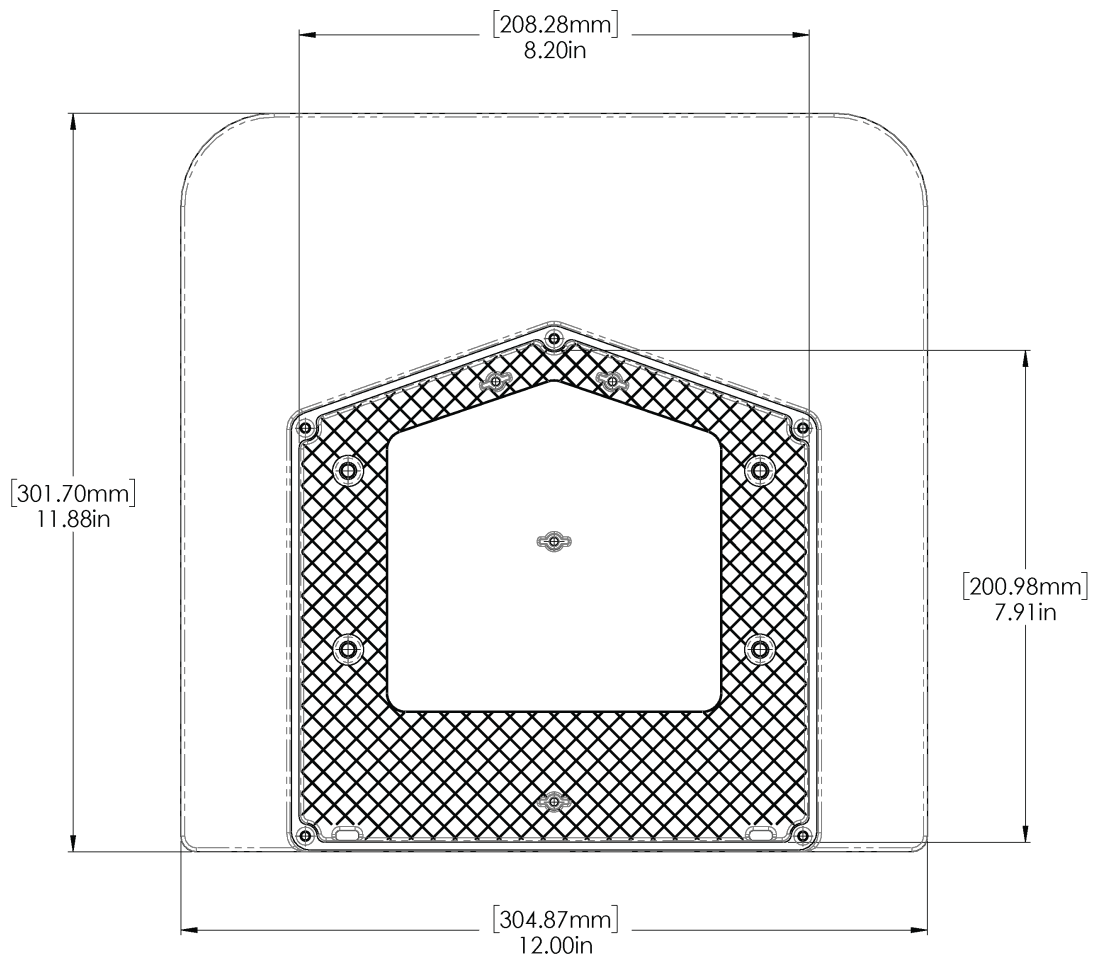
ITEM NO.	PART NUMBER	DESCRIPTION	QTY
1	JB-1.XL BODY	POLYCARBONATE WITH UV INHIBITORS	1
2	JB-1.XL LID	POLYCARBONATE WITH UV INHIBITORS	1
3	#10 X 1-1/4" PHILLIPS PAN HEAD SCREW		4
4	#8 X 3/4" PHILLIPS PAN HEAD SCREW		6

SIZE B	DWG. NO. JB-1.XL	REV
SCALE: 1:2	WEIGHT: 1.9 LBS	SHEET 1 OF 3

TORQUE SPECIFICATION:	15-20 LBS
CERTIFICATION:	UL STANDARD 1741, NEMA 3R
WEIGHT:	1.9 LBS

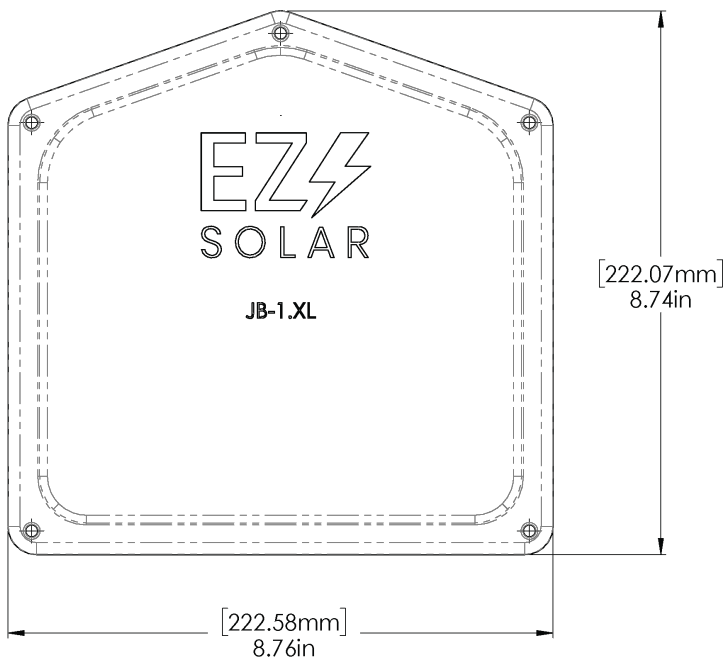


SIZE B	DWG. NO. JB-1.XL	REV
SCALE: 1:2	WEIGHT: 1.9 LBS	SHEET 2 OF 3



SIZE B	DWG. NO. JB-1.XL	REV
SCALE: 1:2	WEIGHT: 1.9 LBS	SHEET 3 OF 3

OUTSIDE



INSIDE

