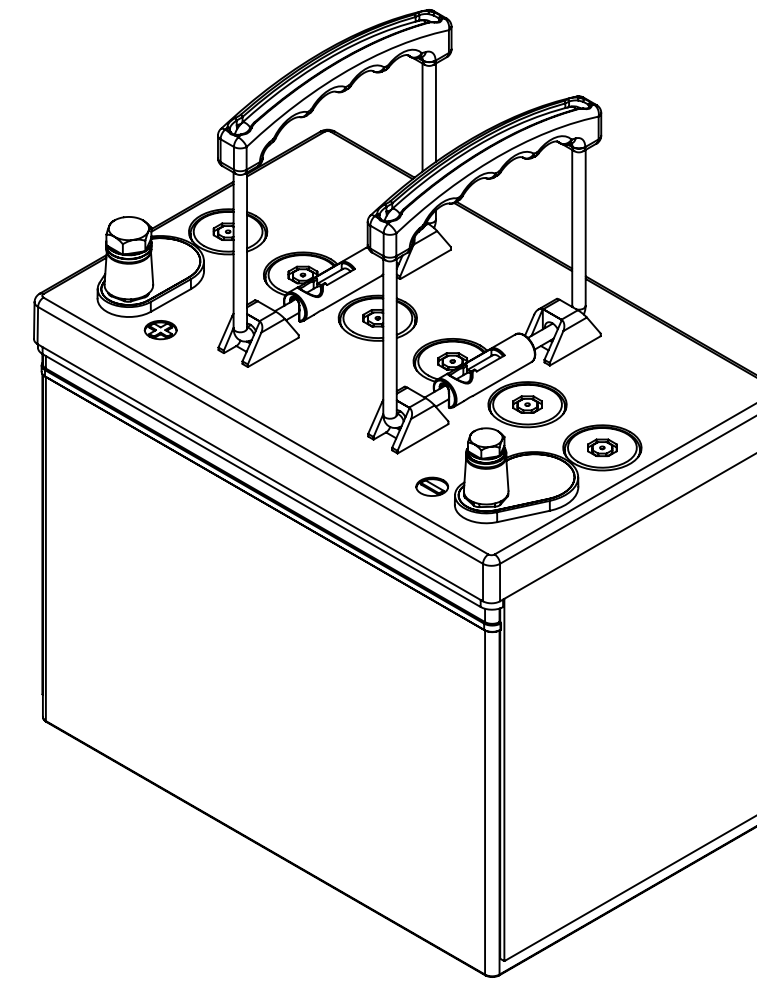
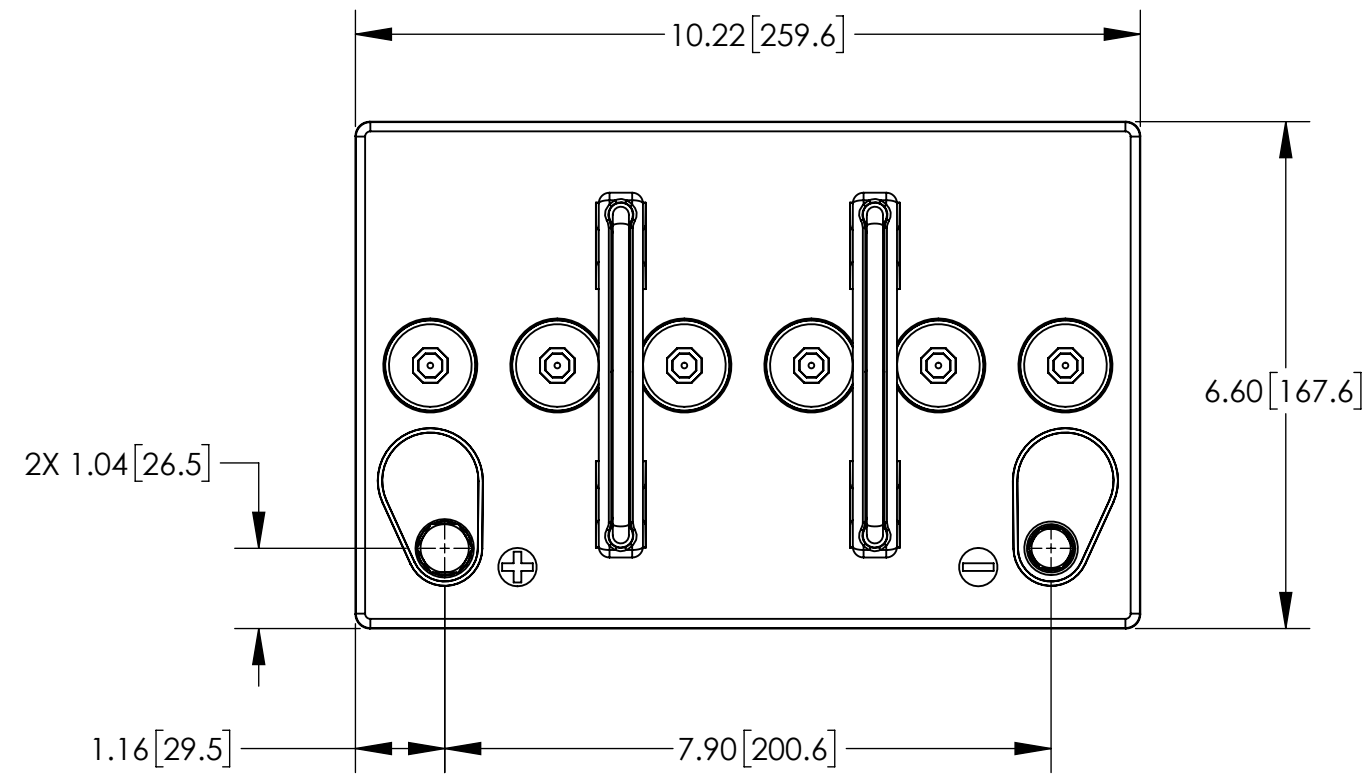


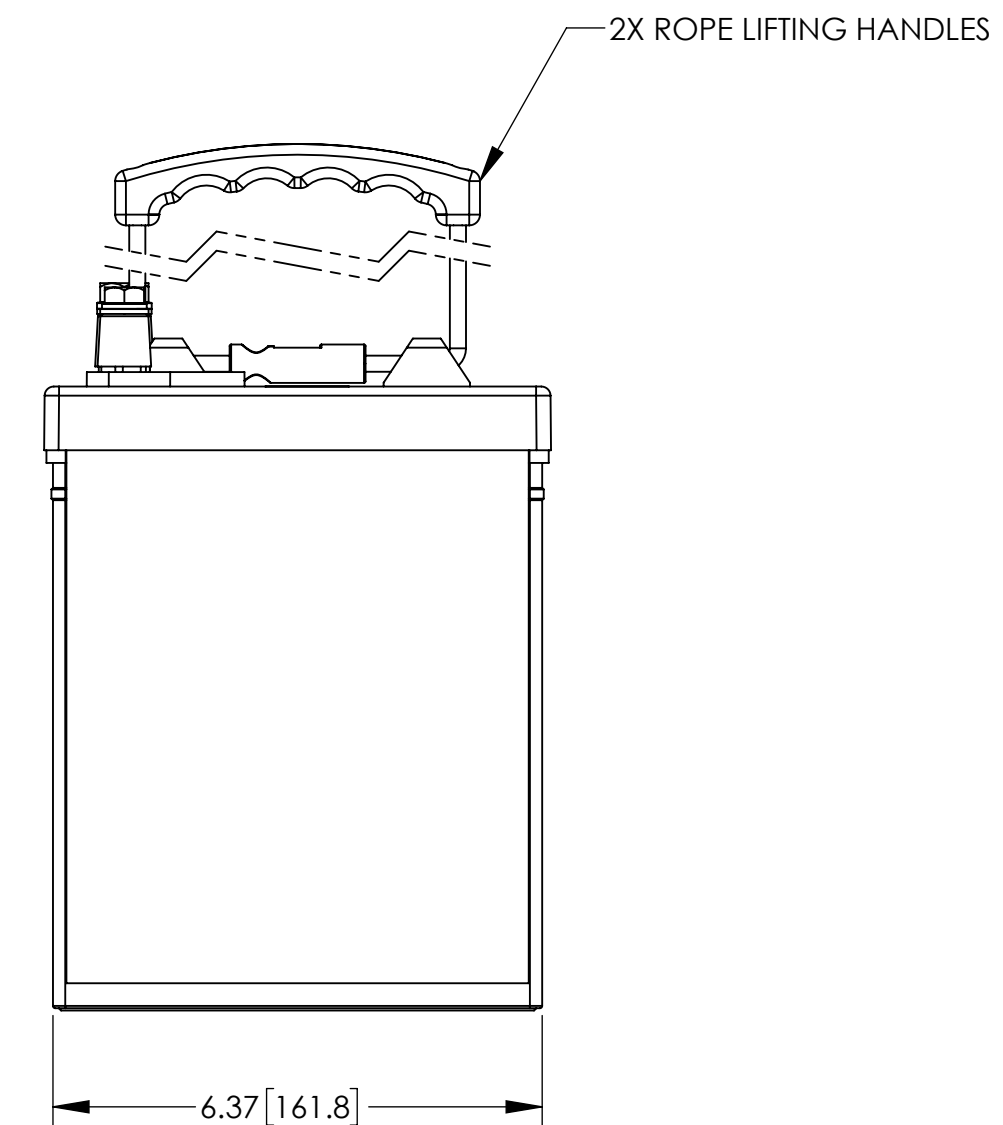
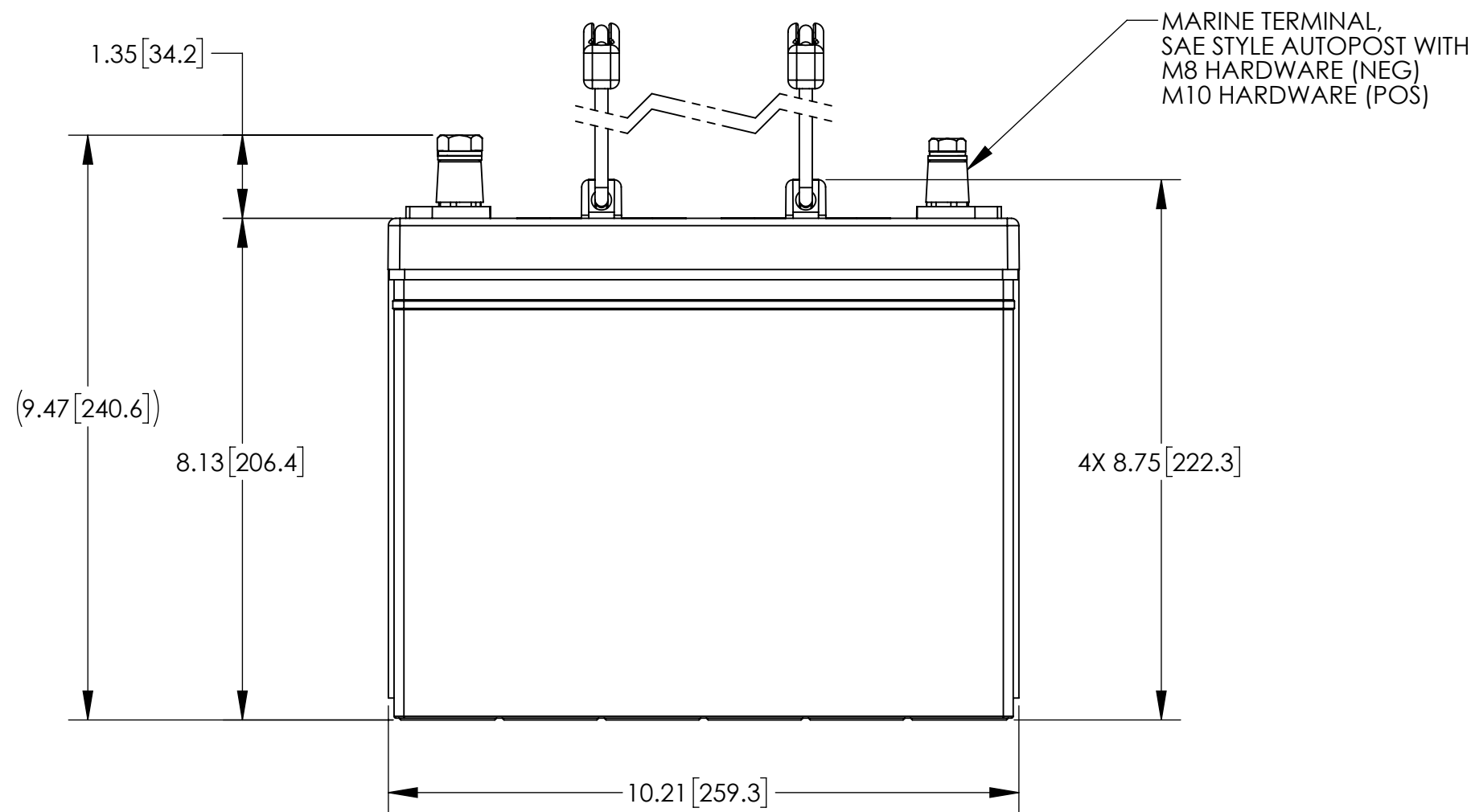
NOTES: UNLESS OTHERWISE SPECIFIED

1. SEE DRAWING NO. CB-00278 AND PROCEDURE P-1000 FOR ASSEMBLY AND TEST INSTRUCTION. PROCEDURES AND ASSEMBLY DRAWINGS ARE FOR INTERNAL USE ONLY.
2. ALL TESTING IS PERFORMED IAW BATTERY COUNCIL INTERNATIONAL STANDARDS.
3. ALL DIMENSIONS ARE INCH [MM].

REVISIONS			
REV	DESCRIPTION	DATE	APPROVED
A	REMOVED SIDE HOLD-DOWNS	5/14/02	JBT
B	REDESIGNED COVER	6/26/18	PH



ISOMETRIC VIEW



CAPACITY RATINGS	
PART NUMBER	GPL-24T
NOMINAL WEIGHT	56 LBS [25.5 KG]
AMPERE HOUR CAPACITY @ 20 HOUR 1.75 VOLTS/CELL @ 77°F (25°C)	80 AH
MINUTES OF DISCHARGE @ 25 AMPS 1.75 VOLTS/CELL @ 77°F (25°C)	149 MIN

ENVELOPE DRAWING

UNLESS OTHERWISE SPECIFIED DIMENSIONS ARE IN INCHES TOLERANCES ARE:			CONTRACT NO.		CONCORDE BATTERY CORPORATION 2009 SAN BERNARDINO RD, W. COVINA, CA 91790		
FRACTIONS	DECIMALS	ANGLES	APPROVALS	DATE	TITLE		
±1/32	.XX ±.06 .XXX ±.060	±1°	DRAWN ELH	3/13/00	BATTERY, 12 VOLT, GPL-24T		
TREATMENT	NONE		CHECKED S. VALDEZ	3/13/00	SIZE	CAGE CODE	DWG NO.
FINISH	NONE		APPROVED JBT	3/16/00	C	63017	GPL-24T
SIMILAR TO	CALC WT		ISSUED AT	6/29/18	SCALE	1:2.5	SHEET 1 OF 1
							REV B