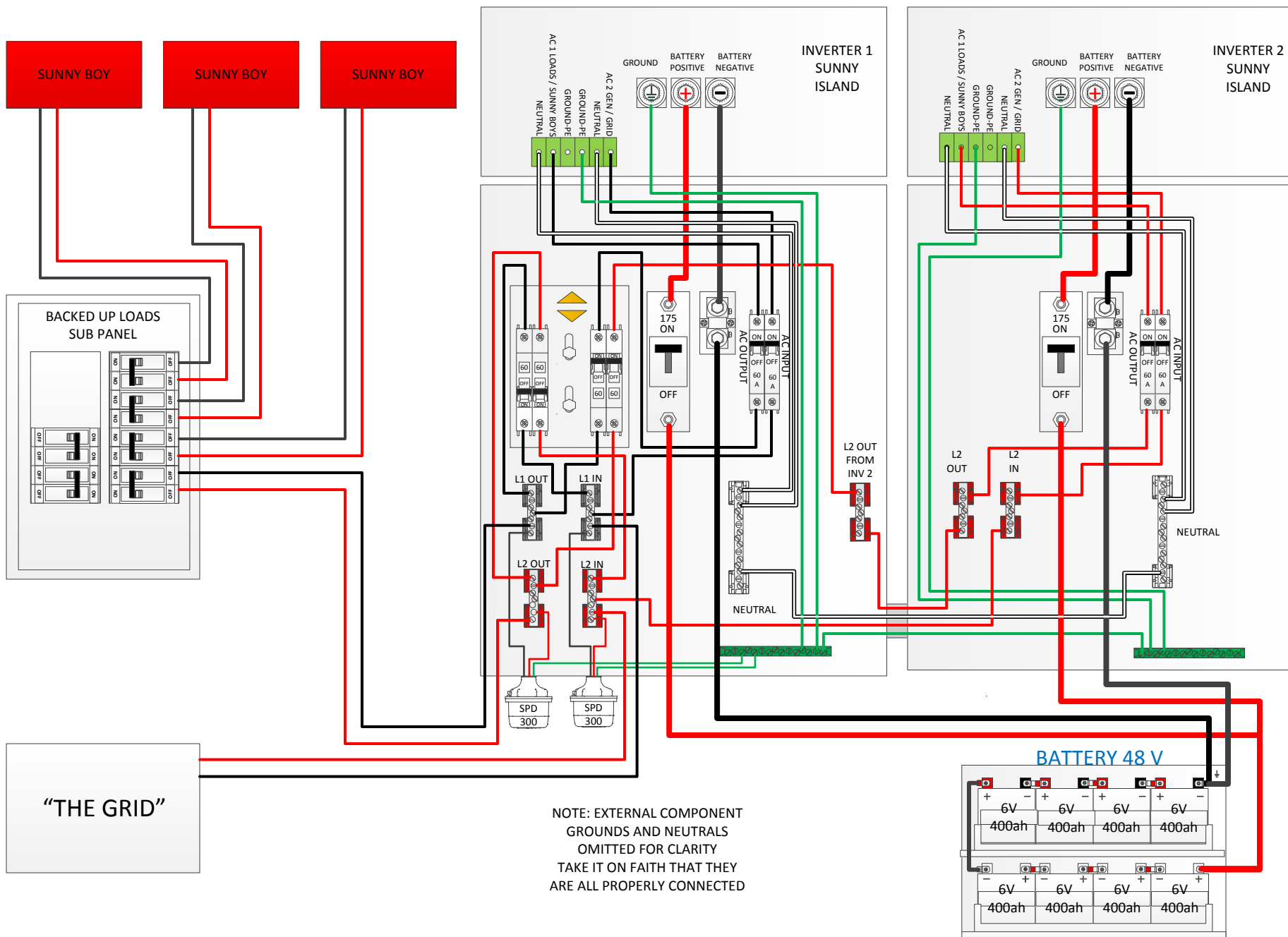


SMA DUAL STACK FOR USE WITH SUNNY BOY AC COUPLING



DRAWN BY T. CARPENTER 1/14/13



NOTE: EXTERNAL COMPONENT
GROUNDS AND NEUTRALS
OMITTED FOR CLARITY
TAKE IT ON FAITH THAT THEY
ARE ALL PROPERLY CONNECTED

