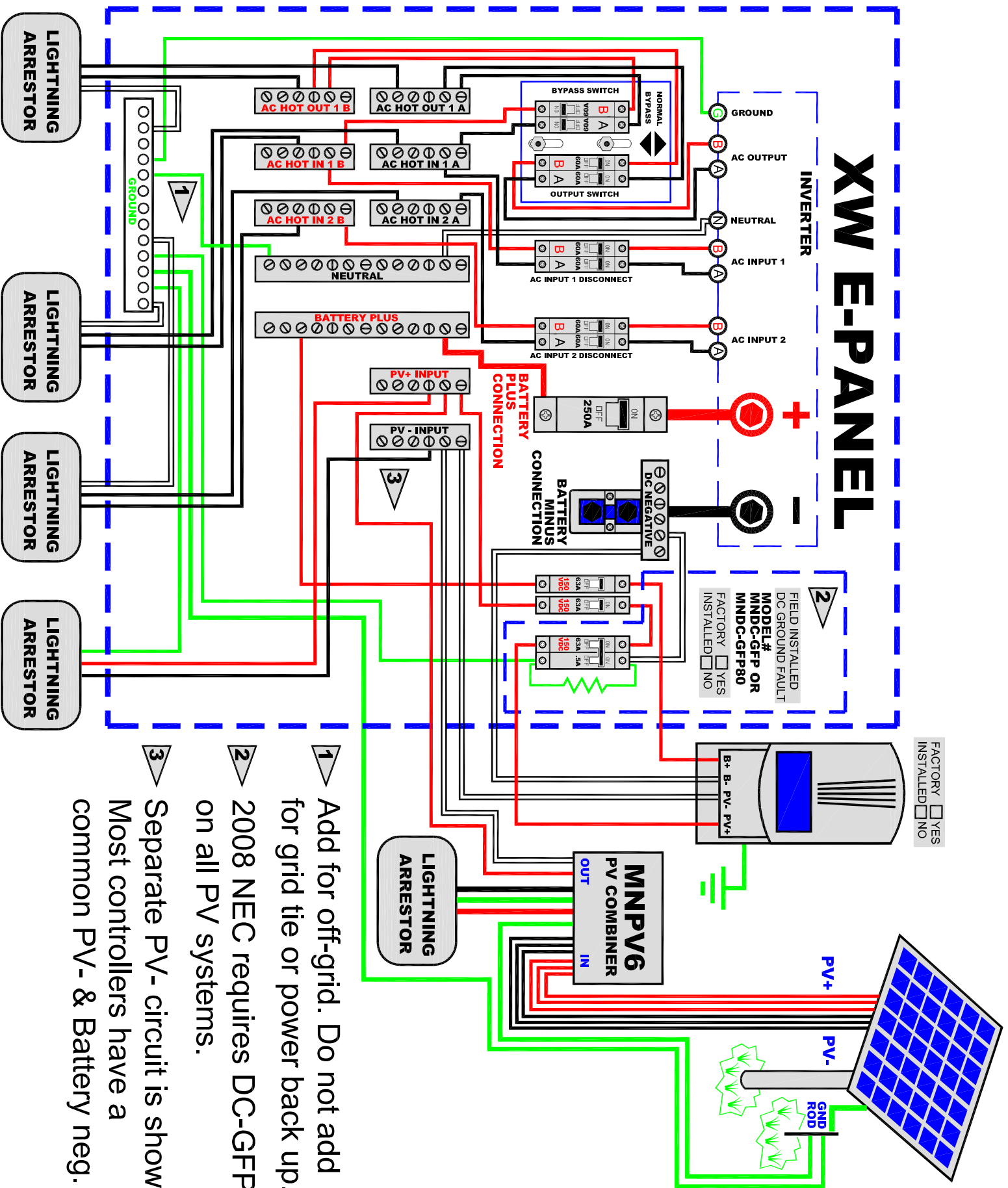


XW E-PANEL



2

FIELD INSTALLED
DC GROUND FAULT

MODEL#
MND-C-GFP OR
MND-C-GFP80

FACTORY YES
INSTALLED NO

FACTORY YES
INSTALLED NO

- 1 Add for off-grid. Do not add for grid tie or power back up.
- 2 2008 NEC requires DC-GFP on all PV systems.
- 3 Separate PV- circuit is shown. Most controllers have a common PV- & Battery neg.