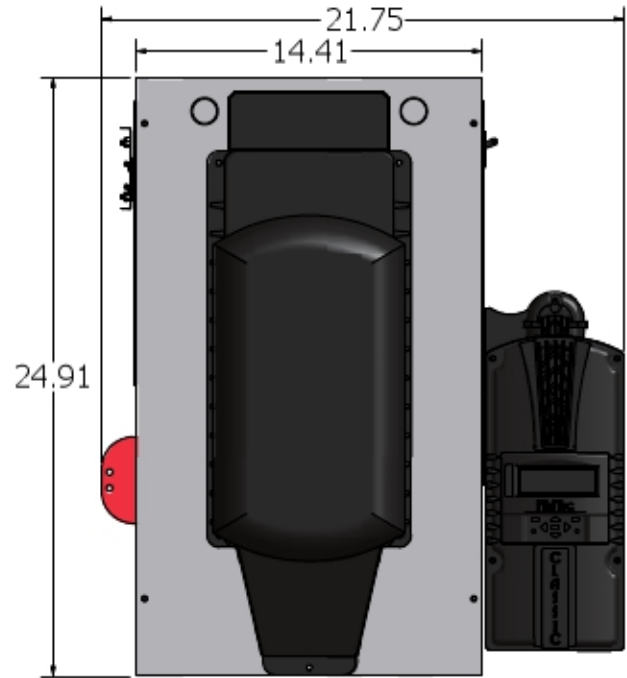
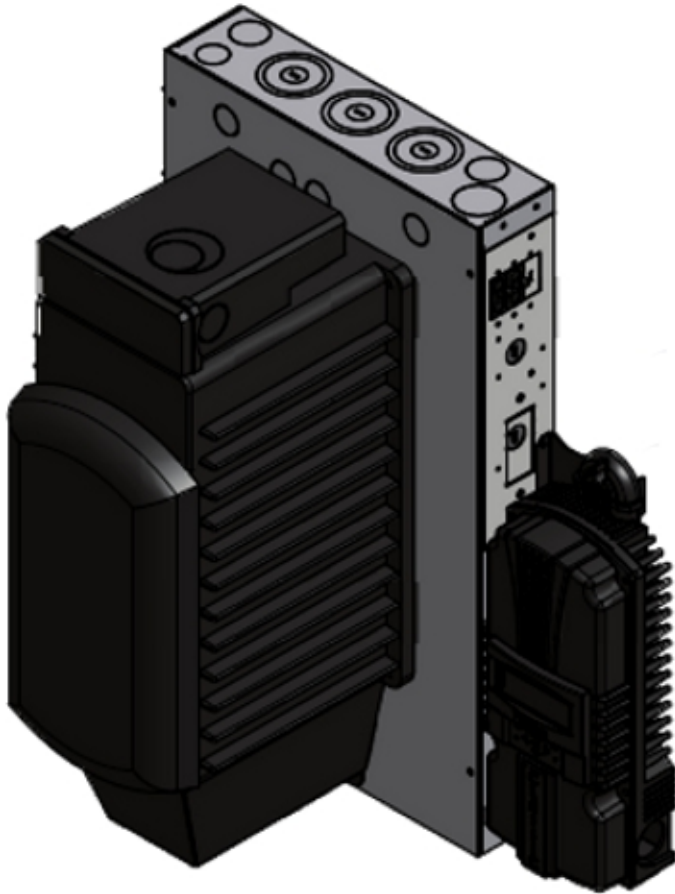


# Midnite Solar E-Panel (OutBack Version)

**Inverter installation has just gone from hours to minutes!**



**MODEL NUMBER CODE:**

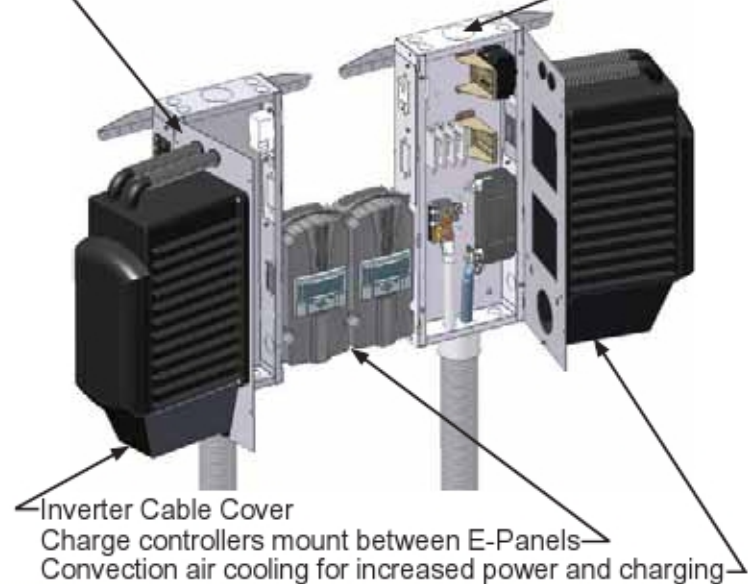
MNE.....175.....STS  
 Midnite E-Panel DC Inverter breaker Steel

Model No.	INVERTERS
MNE125STS	FX3048T, GTFX3048, FX2532MT, FX2348ET
MNE175STS	FX2524T, VFX3648, FX2524MT, VFX3232M, FX2024ET, VFX3048E
MNE250STS	FX2012T, VFX2812, VFX3524, GVFX3524, FX2012MT, VFX2012ET, VFX2612E, VFX3024E, FX2012MT, VFX2812M

See [www.outbackpower.com](http://www.outbackpower.com) for additional DIN rail mount breakers (OBAC & OBPV)  
 Prices do not include the OutBack Inverter.

See [www.midnitesolar.com](http://www.midnitesolar.com) for the evolution of the E-Panel  
 ETL tested an open E-Panel door with 360 pounds installed

**Stacking horizontal or vertical is easy**  
 Knock outs align top and bottom for vertical stacking  
 left hand door required for horizontal stacking



Inverter Cable Cover  
 Charge controllers mount between E-Panels  
 Convection air cooling for increased power and charging



14000 Burn Road  
 ARLINGTON, WA 98223 USA  
 PHONE: 425-374-9060 FAX: 360-691-6862  
[www.midnitesolar.com](http://www.midnitesolar.com)

Support your local Installer

