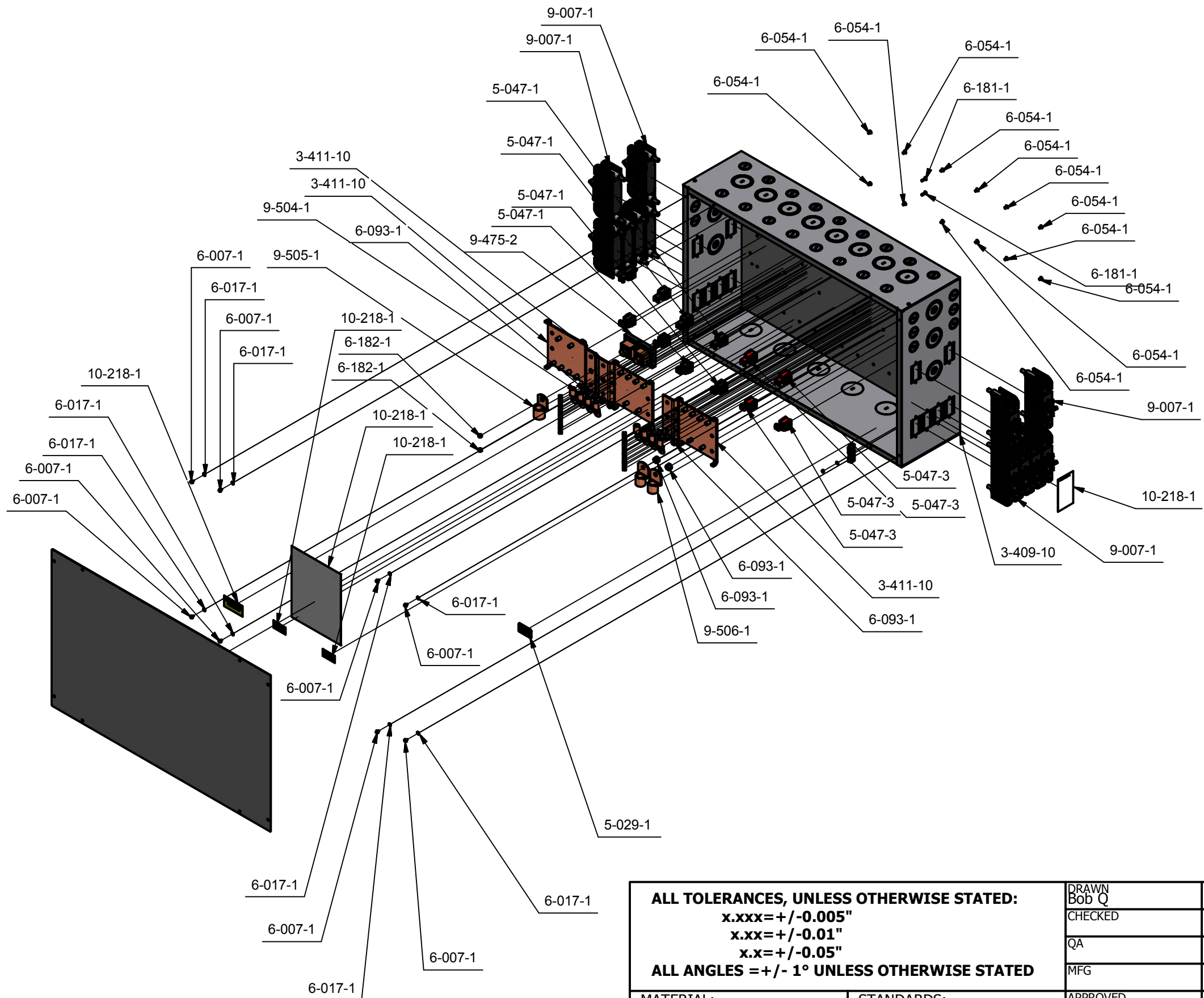


REVISION HISTORY			
REV.	DESCRIPTION OF CHANGE	DATE	SIGN
A	DESIGN RELEASE	9/25/12	RAQ
B	ADDED 3RD BATTERY BUSBAR TO ASSEMBLY	2/10/14	RAQ



PARTS LIST			
ITE	QTY	PART NUMBER	DESCRIPTION
24	5	10-218-1	*Varies*
1	1	3-409-10	REV D MNSMA BATTERY CHASSIS ASSY
48	1	3-410-1	REV B MNSMA BATTERY COVER
5	3	3-411-10	REV C MNSMA BATTERY BUSBAR
18	1	5-029-1	REV A BADEGE 2
4	10	5-047-1	REV E MN INSULATOR BLACK 2-0
36	2	5-047-2	REV E MN INSULATOR WHITE 2-0
3	8	5-047-3	REV E MN INSULATOR RED 2-0
38	2	5-047-4	REV E MNXX INSULATOR BROWN 2-0
39	2	5-047-5	REV E MNXX INSULATOR GREEN 2-0
40	2	5-047-6	REV E MNXX INSULATOR BLUE 2-0
11	8	6-007-1	SCREW SMS 10-32 X.375 PHP SS
12	8	6-017-1	INT. STAR WASHER NO.10 SS
13	12	6-054-1	SCREW 10-32 X 5-16 100 DEGREE FHP SS
10	10	6-093-1	3 8 KEPS NUT SS
22	1	6-113-1	SMALL PATTERN 8-32 NUT SS
21	1	6-116-1	NO.8 INTERNAL LOCK WASHWER
17	2	6-181-1	SCREW 10-32 X 5-8 100 DEGREE FHP SS
23	2	6-182-1	NYLOCK NUT NO.10 SS
44	12	9-007-1	250 AMP 250 VOLT GJ1 BREAKER
29	8	9-070-1	2 INCH CONDUIT ADAPTOR
33	2	9-071-1	2 INCH CONDUIT METAL NUT
19	1	9-096-1	6 POSITION BUS BAR
37	6	9-225-1	BUSBAR POSITION 2-0
42	2	9-291-1	BUSBAR 15 POSITION
43	1	9-291-9	P1 MNXX BUSBAR 9 POSITION 2-0
7	1	9-475-2	REV A MODIFIED CURRENT SHUNT 1000A-100MV
6	8	9-504-1	MOLEX 192210570 3-0 RING TERMINAL
45	1	9-505-1	MOLEX 193173112 MCM 350 RING TERMINAL
46	2	9-506-1	MOLEX 193172010 MCM 350 RING TERMINAL

ALL TOLERANCES, UNLESS OTHERWISE STATED:
x.xxx=+/-0.005"
x.xx=+/-0.01"
x.x=+/-0.05"
ALL ANGLES =+/- 1° UNLESS OTHERWISE STATED

MATERIAL: _____ STANDARDS: _____
FINISH: _____
PROCESS: _____

DRAWN	Bob Q	2/10/2014
CHECKED		
QA		
MFG		
APPROVED		

MIDNITE SOLAR, INC

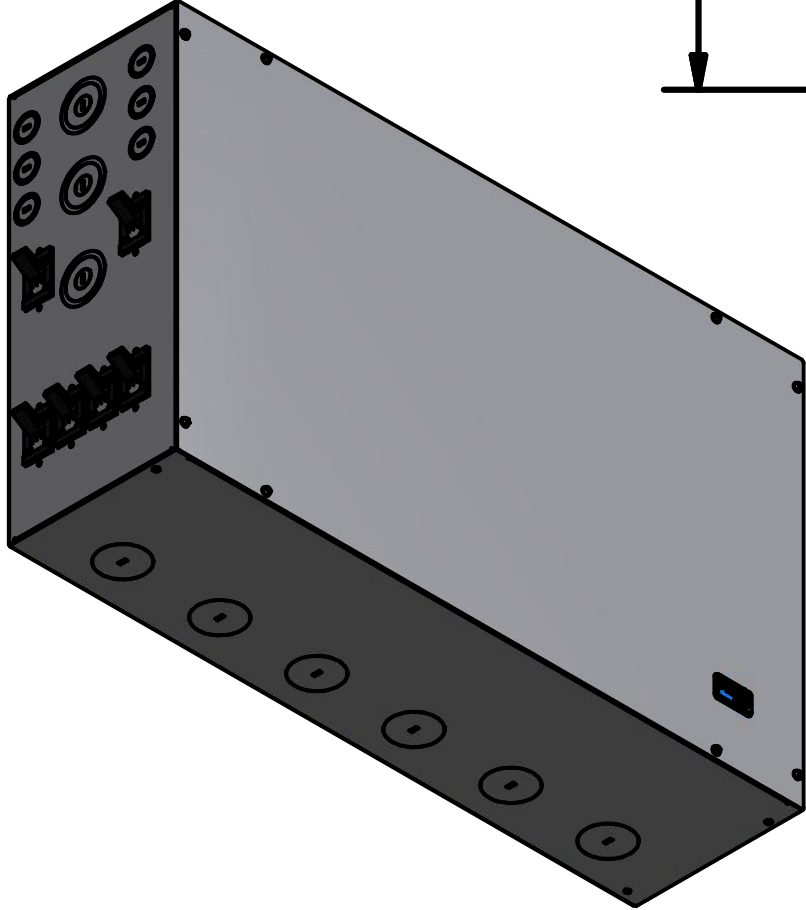
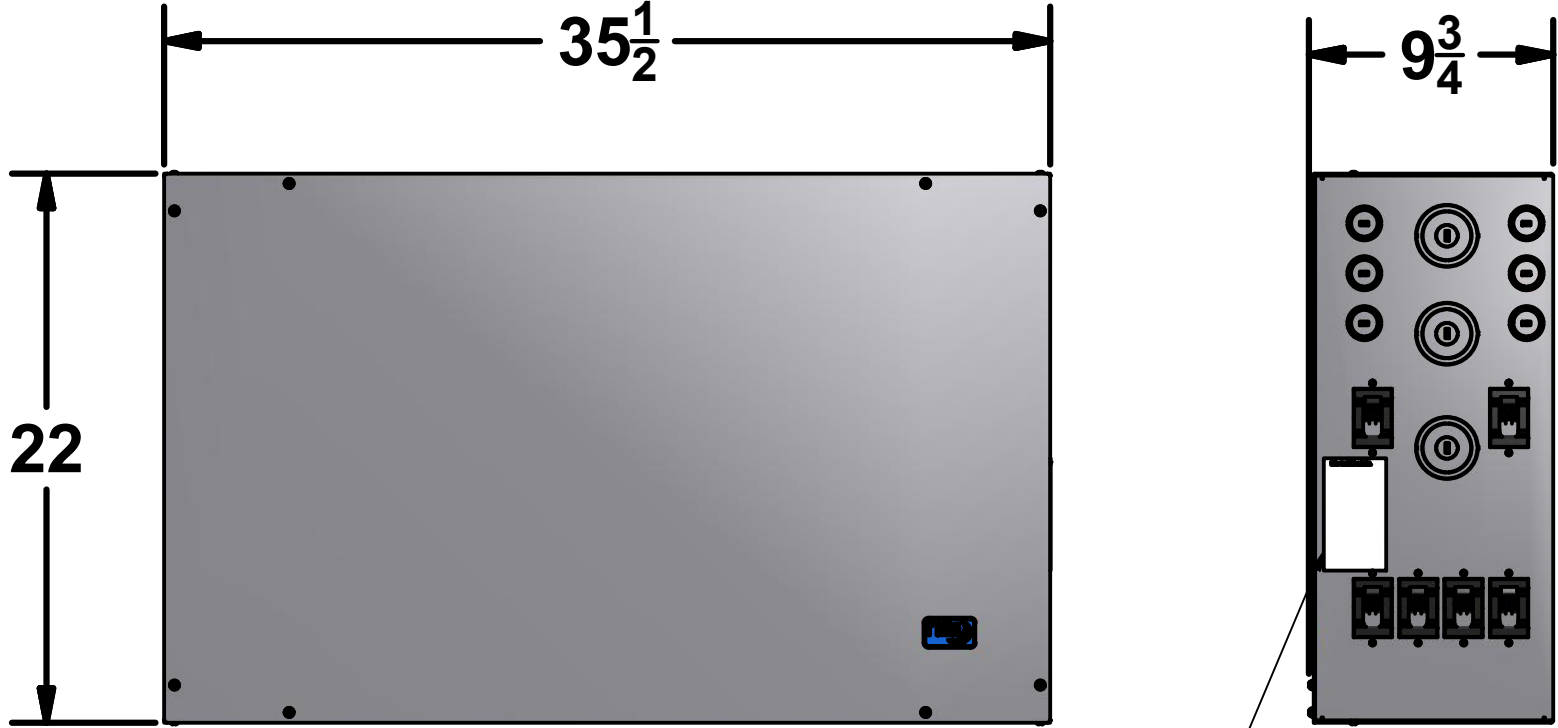
TITLE
MNSMA REV B MNSMA BATTERY COMBINER FINAL ASSY

SIZE	PROJECT:	DWG NO	REV
B	SMA	MNSMA REV A MNSMA BATTERY COMBINER FINAL ASSY	B

E-FILE:MNSMA REV B SMA BATTERY COMBINER FINAL ASSY.iam SHEET 1 OF 2


REVISION HISTORY			
REV.	DESCRIPTION OF CHANGE	DATE	SIGN

WEIGHT=49.340 lbmass



ALL THE LABELING HAS NOT BEEN DEFINED FOR THIS PRODUCT.

ALL TOLERANCES, UNLESS OTHERWISE STATED: x.xxx=+/-0.005" x.xx=+/-0.01" x.x=+/-0.05" ALL ANGLES =+/- 1° UNLESS OTHERWISE STATED		DRAWN Bob Q	2/10/2014
MATERIAL:		CHECKED	
FINISH:		QA	
PROCESS:		MFG	
STANDARDS:		APPROVED	

MIDNITE SOLAR, INC 

TITLE: MNSMA REV B MNSMA BATTERY COMBINER FINAL ASSY

SIZE B	PROJECT: SMA	DWG NO MNSMA REV A MNSMA BATTERY COMBINER FINAL ASSY	REV B
-----------	-----------------	---------------------------------------------------------	----------

E-FILE: MNSMA REV B SMA BATTERY COMBINER FINAL ASSY.dwg SHEET 2 OF 2