

## SD Series Quick Product Introduction

### Pure Sine Wave Inverter



Scan QR Code to view the User Manual

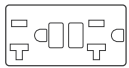


**IMPORTANT:** Please must read the Installation and Maintenance Instructions Before Connecting to the Supply. Please download and read the user manual from COTEK website or QR code before starting to use the SD Inverter.

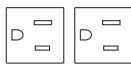
	SD1500	SD2500	SD3500
<b>Output</b>			
Rated Power	1500 VA	2500 VA	3500 VA
Output Power (Max. 3 min.)	1500 ~ 1800 VA	2500 ~ 3000 VA	2500 ~ 3000 VA
Peak Power (Max. 3 Sec.)	1800 ~ 2400 VA	3000 ~ 4000 VA	4500 ~ 6000 VA
Surge Power (Max. 0.2 Sec.)	>2400 VA	>4000 VA	>6000 VA
Frequency	50 / 60 Hz ± 0.1%		
<b>Protection</b>			
Input Protection	Reverse Polarity (Fuse) / Under Voltage / Over Voltage / AC Over Current (Breaker)		
Output Protection	Short Circuit / Overload / Over Temperature / Over Voltage		
<b>Environment</b>			
Working Temp.	-20°C ~ 40°C, refer to power de-rating curve		
Storage Temp.	-40°C ~ 70°C		
Storage Temp. & Humidity	Max. 90%, RH non-condensing		
<b>Control &amp; Signal</b>			
Remote Control (Optional)	CR-6 / CR-8 / CR-10		
LED Indicator	Input voltage level, faulty status		
<b>Control &amp; Signal</b>			
Dimension (WxHxD)	283x128x351 mm / 11.14x5.04x13.82 inch	283x128x436 mm / 11.14x5.04x17.17 inch	283x128x496 mm / 11.14x5.04x19.53 inch
Packing	5.5kg	8kg; 2pcs / 17kg / 2.86CUFT	10kg; 2pcs / 21kg / 3.19CUFT
Cooling	Load & thermal control fan		
Communication Port	RS-232 (RJ-11 type connector), Ethernet (Optional)		

	SD Series - 112	SD Series - 124	SD Series - 148	SD Series - 212	SD Series - 224	SD Series - 248
<b>Output</b>						
AC Voltage	100 / 110 / 115 / 120 VAC			200 / 220 / 230 / 240 VAC		
AC Regulation	± 3%					
Total Harmonic Distortion (THD)	<3% @ under condition: greater than 1.15 times of the rated VDC, 110V / linear load			<3% @ under condition: greater than 1.15 times of the rated VDC, 230V / linear load		
<b>DC Input</b>						
DC Voltage	12VDC	24VDC	48VDC	12VDC	24VDC	48VDC
Voltage Range	10~16VDC	20~32VDC	40~64VDC	10~16VDC	20~32VDC	40~64VDC
No Load Power Consumption	@12VDC	@24VDC	@48VDC	@12VDC	@24VDC	@48VDC
<b>AC Input</b>						
AC Range	100 / 110 / 115 / 120VAC ± 25%, recover ± 12.5%			200 / 220 / 230 / 240VAC ± 25%, recover ± 12.5%		
Frequency Selectable	50 / 60 Hz					
Synchronous Frequency	47~57 / 53~63 Hz					
<b>Protection</b>						
Efficiency (Max.)	90%	90%	91%	90%	91%	91%
BAT. Low Alarm ± 3%	10.5VDC	21VDC	42VDC	10.5VDC	21VDC	42VDC
BAT. Low Shutdown ± 3%	10VDC	20VDC	40VDC	10VDC	20VDC	40VDC
BAT. Low Restart ± 3%	12.5VDC	25VDC	50VDC	12.5VDC	25VDC	50VDC
BAT. High Alarm ± 3%	15.5VDC	31VDC	62VDC	15.5VDC	31VDC	62VDC
BAT. High Shutdown ± 3%	16VDC	32VDC	64VDC	16VDC	32VDC	64VDC
BAT. High Restart ± 3%	15VDC	30VDC	60VDC	15VDC	30VDC	60VDC
<b>Safety &amp; EMC</b>						
Safety Standards	UL 458 (UL only for hard wire)		----	EN 62368-1		
EMC Standards	FCC class B			EN 55014-1* ; EN 55014-2* EN 61000-3-2, -3-3 EN 61000-6-1, -6-2, -6-3, -6-4 (SD3500) , EN 61204-3 (SD3500) SD1500 : Certified EN55032, EN55024		
E-mark	----			Certified CISPR 25; ISO 7637-2		

## ■ Socket Types



North America  
(GFCI)



North America  
(NEMA 5-15R)



Continental  
European



Australia /  
New Zealand



United  
Kingdom

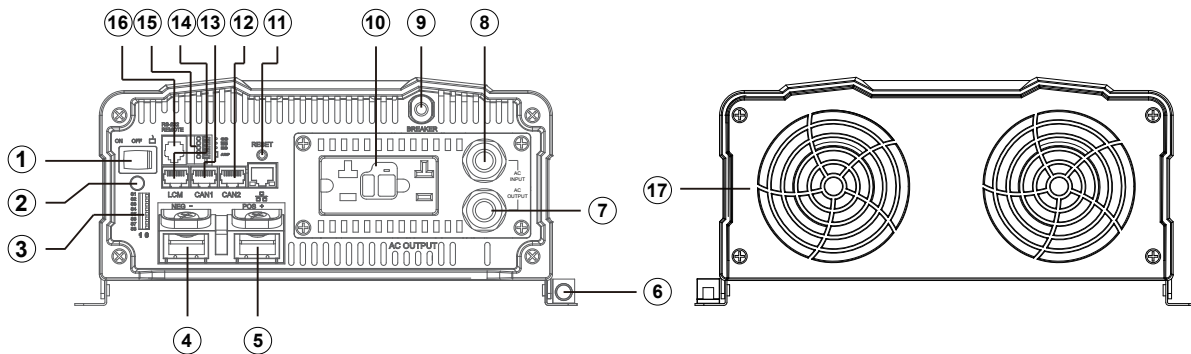


Universal



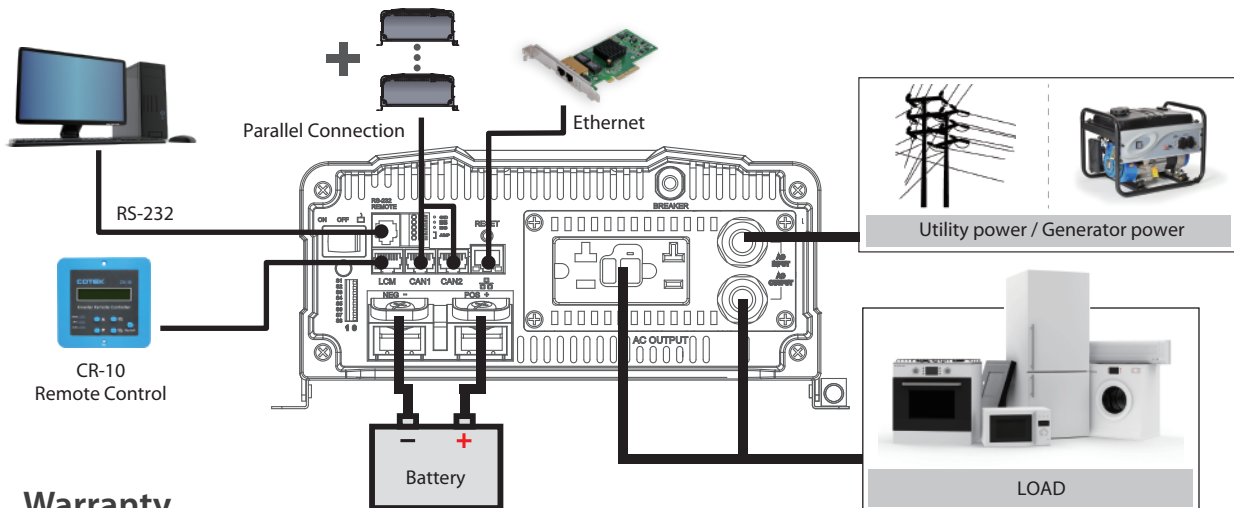
Hard Wire

## ■ Product Appearance



- |                                 |                    |                            |                        |
|---------------------------------|--------------------|----------------------------|------------------------|
| ① ON / OFF / Remote Main Switch | ⑤ DC Input +       | ⑨ AC input circuit breaker | ⑬ CAN1 Port            |
| ② Status LED                    | ⑥ Chassis Ground   | ⑩ AC output socket         | ⑭ LCM Port             |
| ③ Dip Switch (S1~S8)            | ⑦ AC Output        | ⑪ Reset Button             | ⑮ Green terminal       |
| ④ DC Input -                    | ⑧ By-pass AC Input | ⑫ CAN2 Port                | ⑯ Remote / RS-232 port |
|                                 |                    |                            | ⑰ FAN                  |

## ■ Product Installation



## ■ Warranty



### Warning!

Do not open or disassemble the Inverter. Attempting to do so may cause risk of electrical shock or fire.

We guarantee this product against defects in materials and workmanship for a period of 24 months from the date of purchase.

In case you need to repair or replace any defective power inverters, please contact COTEK local distributor.

This warranty will be considered void if the unit has been misused, altered, or accidentally damaged. COTEK is not liable for anything that occurs as a result of the user's fault.