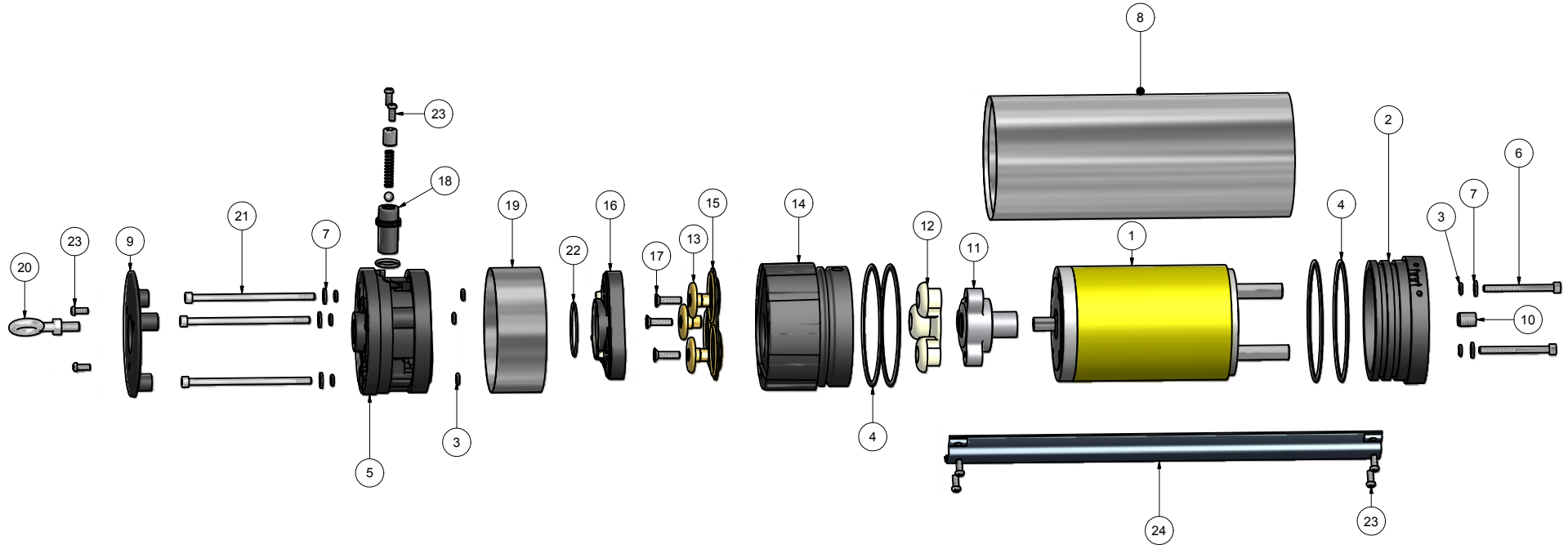


SDS-T-130 Exploded View Ryton / 304 Stainless Steel



Parts List

ITEM	QTY	PART NUMBER	DESCRIPTION
1	1	40425	Motor, SDS Long
2	1	41275	End Cap, Triplex
3	8	40530	O-Ring, 008
4	4	40575	O-Ring, Housing, 234
5	1	41300	Discharge Head, Triplex
6	2	41081	10-32 X 2 SHCS SS
7	5	41084	Washer, AN-960 #10 Flat SS
8	1	40350	Housing, SDS SS
9	1	41255	Discharge Head Cap
10	1	41081	Set Screw, 3/8 -16 X 1/2
11	1	41110	Cam Assembly, T-130
12	1	41350	Outer Piston Assembly
13	3	40700	Piston, Top Mount Triplex
14	1	41300	Motor Adapter, Triplex
15	1	41210	Diaphragm, SDS-T-130
16	1	41180	Check Valve Assembly, SDS-T
17	3	41080	10-32 X 1 FH Piston Screw
18	1	41375	Relief Valve Assembly, T-128
19	1	41425	Suction Screen, Triplex 316 SS
20	1	41082	I-Bolt 1/4 X 1 SS
21	3	41435	10-32 X 2 SHCS SS
22	1	41325	O-Ring, Triplex CV 2 X 36mm
23	8	41437	Screw, 8-32 X 3/8
24	1	41430	Cable Guard, Triplex

DRAWN James C. Allen	9/17/2011	SunPumps, Inc.	
CHECKED			
QA		TITLE	
MFG		SDS-T-130 Parts List	
APPROVED		SIZE C	DWG NO EV-T-130
		SCALE	REV
		SHEET 1 OF 1	