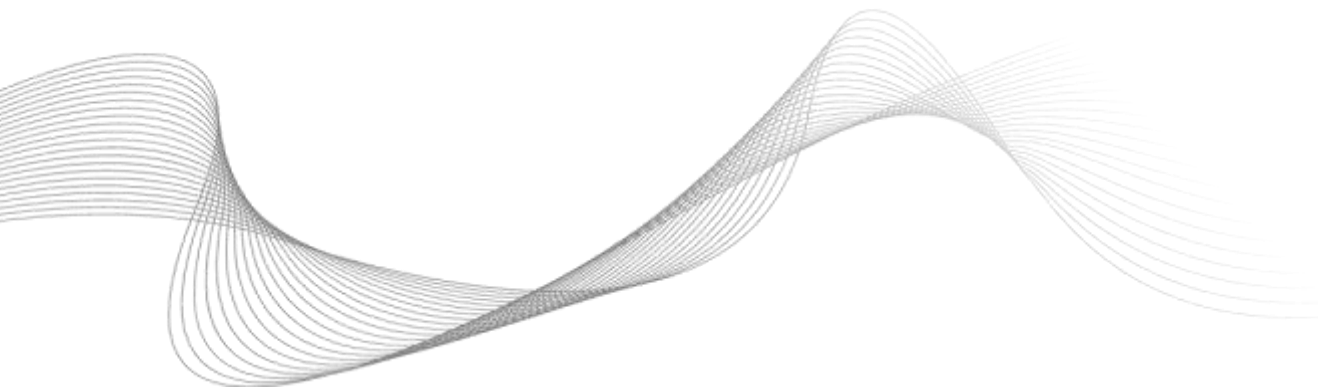


COTEK



SD Series User's Manual

EN

[Page 3]

SD1500/2500/3500

PURE SINE WAVE INVERTER

FR

[Page 47]

SD1500/2500/3500

Signal de sortie sinusoïdal pur

Legal Provisions

Copyrights 2017 COTEK Electronic IND. CO. All Rights Reserved.

Any part of this document may not be reproduced in any form for any purpose without the prior written permission of COTEK Electronic IND. CO. For the conditions of the permission to use this manual for publication, contact COTEK Electronic IND. CO., LTD. In all related COTEK product activities, Neither COTEK Electronic IND. CO., LTD. nor its distributors or dealers be liable to anyone for indirect, incidental, or consequential damages under any circumstances. Specifications are subject to change without notice. Every attempt has been made to make this document complete, accurate and up-to-date. COTEK Electronic IND. CO., LTD reserve the right to make changes without notice and shall not be responsible for any damages, including indirect, incidental or consequential damages, caused by reliance on the material presented, including, but not limited to, omissions, typographical errors, arithmetical errors or listing errors in the content material. All trademarks are recognized even if these are not marked separately. Missing designations do not mean that a product or brand is not a registered trademark.

Table of Content

1. IMPORTANT SAFETY INFORMATION	1
1-1.General Safety Precautions	1
1-2.Precautions When Working with Batteries	1
1-3.Installation	2
2. FUNCTIONAL CHARACTERISTICS	3
2-1.General Information	3
2-2.Application	3
2-3.Electrical Performance	4
2-4.Mechanical Drawings	10
3. INTRODUCTION	12
3-1.Power ON / OFF / REMOTE (Main) switch	13
3-2.LED Indicator	13
3-3.DIP Switch (S1~S8) Assignment	14
3-4.DC Input - (please refer to DC wiring connections on P.20)	15
3-5.DC Input + (please refer to DC wiring connections on P.20)	16
3-6.Chassis Ground : Connect the wire # 8 AWG to vehicle chassis	16
3-7.AC Output (Please refer to hard wiring installation on P.21)	16
3-8.By-pass AC input (please refer to hard wiring installation on P.21)	16
3-9.AC input circuit breaker	16
3-10. AC output socket (please refer to 4-2-3. on P.24)	16
3-11. Reset Button (only to be used for Ethernet interface)	16
3-12. CAN1 and CAN2 Port (only to be used in parallel mode)	16
3-13. LCM Port	17
3-14. Green terminal (Remote and Parallel select)	18
3-15. RS-232 Port	19
3-16. Fan Ventilation	19
3-17. Protections Features	19

4. DC WIRING CONNECTIONS	20
4-1. DC Input Terminals	21
4-2. Hard-wire Installation	22
5. PARALLEL MODE	28
5-1. Prepare for Parallel Usage	28
5-2. Industry Applications	29
5-3. Wiring for Parallel Usage	31
5-4. AC Wiring Diagram	33
5-5. Remote command for the parallel connection	37
5-6. Remove Parallel Connection	37
6. RS-232 COMMAND	38
6-1. RS-232 command introduction	38
7. TROUBLESHOOTING	46
8. WARRANTY	46

1. Important Safety Information



WARNING!

Before using the inverter, read and save the safety instructions.

1-1. General Safety Precautions

- 1-1-1. Do not expose the Inverter to rain, snow, spray, bilge or dust.
To reduce risk of hazard, do not cover or obstruct the ventilation openings. Do not install the inverter in a zero-clearance compartment. Overheating may take place.
- 1-1-2. To avoid a risk of fire and electric shock, please make sure that existing wiring is in good electrical condition; and that wire size is not undersized. Do not operate the Inverter with damaged or substandard wiring.
- 1-1-3. This equipment contains components which can produce arcs or sparks.
To prevent fire or explosion do not install in compartments containing batteries or flammable materials or in locations which require ignition protected equipment. This includes any space containing gasoline-powered machinery, fuel tanks, joints, fittings, or other connection between components of the fuel system.
- 1-1-4. An over current protection at the time of installation shall be provided by others for the AC output circuit.
- 1-1-5. Additional breakers suitable for 20 A branch circuit protection shall be provided for the GFCI receptacles.

1-2. Precautions When Working with Batteries

- 1-2-1. If battery acid contacts skin or clothing, wash immediately with soap and water. If acid enters eye, immediately wash eyes with running cold water for at least 20 minutes and get medical attention immediately.
- 1-2-2. Never smoke or allow a spark or flame in vicinity of battery or engine.
- 1-2-3. Do not drop a metal tool on the battery. The resulting spark or short-circuit on the battery or other electrical part may cause an explosion.
- 1-2-4. Remove personal metal items such as rings, bracelets, necklaces, and watches when working with a lead-acid battery.
A lead-acid battery produces a short-circuit current high enough to weld a ring or similar item to metal causing a severe burn.

1-3. Installation

The power inverter should be installed in a location that meets the following requirements :

Dry – Do not allow water to drip or splash on the inverter.

Cool – Ambient air temperature should be between -20°C and 50°C , but the cooler the better.

Safety – Do not install batteries in the compartment or other areas where flammable fumes exist such as fuel storage areas or engine compartments.

Ventilated – Allow at least one foot of clearance around the Inverter for air flow. Ensure the ventilation shafts on the rear and bottom of the unit are not obstructed.

Dust-free – Do not install the Inverter in dusty environments where dust, wood particles or other filings/shavings are present. The dust can be pulled into the unit when the cooling fan is in operation.

Close to batteries – Avoid excessive cable lengths but do not install the inverter in the same compartment as batteries.

Use the recommended wire lengths and sizes (refer to section 4.DC wiring connections).

Do not mount the inverter where it is exposed to the gases produced by the battery. These gases are very corrosive and prolonged exposure will damage the inverter.



WARNING!

Shock Hazard. Before proceeding further, carefully check that the inverter is **NOT** connected to any batteries, and that all wiring is disconnected from any electrical sources . Do not connect the output terminals of the inverter to an incoming AC source.

2. Functional Characteristics

2-1. General Information

SD-series is new generation power inverter equipped with N+1 parallel power function , 3-phase capability, and AC transfer switch. SD series is suitable for RV, Marine and Emergency appliances.

Features

- Parallel redundancy design for power expansion
- Multiple industrial applications that create 1 Φ 3W / 3 Φ 4W power systems
- User-friendly remote control
- Automatic master mechanism to eliminate single point failure and optimize reliability
- Built-in ATS and AC circuit breaker
- Optional STS module, transfer time is less than 4ms.
- RS-232 communication
- Input & output fully isolation
- Output voltage / power saving mode is selectable by DIP switch and remote control (CR-10)
- Input Protection : Reverse Polarity (Fuse) / Under Voltage / Over Voltage Protection
- Output Protection : Short Circuit / Overload / Over Temperature / Over Voltage Protection

To get the most out of the power inverter, it must be installed and used properly. Please read the instructions in this manual before installation and operation of this model.

2-2. Application

- 2-2-1. Power tools—circular saws, drills, grinders, sanders, buffers, weed and hedge trimmers, air compressors.
- 2-2-2. Office equipment – computers, printers, monitors, facsimile machines, scanners.
- 2-2-3. Household items – vacuum cleaners, fans, fluorescent and incandescent lights, shavers, sewing machines.
- 2-2-4. Kitchen appliances – coffee makers, blenders, ice makers, toasters.
- 2-2-5. Industrial equipment – metal halide lamp, high pressure sodium lamp.
- 2-2-6. Home entertainment electronics – television, VCRs, video games, stereos, musical instruments, satellite equipment.
- 2-2-7. Vehicle, yacht and off-grid solar power systems.

2-3. Electrical Performance

2-3-1. SD1500 Specification

MODEL	SD1500-112	SD1500-124	SD1500-148	SD1500-212	SD1500-224	SD1500-248
Output						
Rating Power	1500VA (de-rating after 40°C, refer to de-rating curve)					
Output Power (Max. 3 min.)	1500~1800VA					
Peak Power (Max. 3 sec.)	1800~2400VA					
Surge Power (Max. 0.2 sec.)	>2400VA					
Waveform	Pure Sine Wave					
Efficiency (Max.)	88%	89%	90%	88%	88%	90%
Output Voltage (@rated VDC)	100 / 110 / 115 / 120VAC ± 3%			200 / 220 / 230 / 240VAC ± 3%		
Output Frequency	50 / 60Hz ± 0.1%					
Total Harmonic Distortion (THD)	< 3% @ under condition : greater than 1.15 times of the rated VDC, 110V / linear load)			< 3% @ under condition : greater than 1.15 times of the rated VDC, 230V / linear load)		
DC Input						
DC Voltage	12VDC	24VDC	48VDC	12VDC	24VDC	48VDC
Voltage Range	10.0~16.0 VDC	20.0~32.0 VDC	40.0~64.0 VDC	10.0~16.0 VDC	20.0~32.0 VDC	40.0~64.0 VDC
No load Power Consumption	@12VDC	@24VDC	@48VDC	@12VDC	@24VDC	@48VDC
On Mode @ Save Mode	0.9A	0.5A	0.3A	1.1A	0.7A	0.4A
On Mode @ No Load Mode	< 2.4A	< 1.2A	< 0.6A	< 3.3A	< 1.6A	< 0.8A
Fuse	40Ax6	20Ax6	15Ax4	40Ax6	20Ax6	15Ax4
AC Input						
AC Range	100 / 110 / 115 / 120VAC ± 12.5%			200 / 220 / 230 / 240VAC ± 12.5%		
Frequency Selectable	50 / 60 Hz					
Synchronous Frequency	47~57 / 53~63 Hz					
Circuit Breaker	20A			10A		
Transfer Switch ^①	Standard ATS : Inverter to utility AC : 8~10ms.; Utility AC to inverter : 16-50ms. Optional STS Module : Single < 4ms ; N+1 & 1P3W & 3P4W < 6ms					
Protection						
BAT.Low Alarm ± 3%	10.5VDC	21.0VDC	42.0VDC	10.5VDC	21.0VDC	42.0VDC
BAT.Low Shut-down ± 3%	10.0VDC	20.0VDC	40.0VDC	10.0VDC	20.0VDC	40.0VDC
BAT.Low Restart ± 3%	12.5VDC	25.0VDC	50.0VDC	12.5VDC	25.0VDC	50.0VDC
BAT.High Alarm ± 3%	15.5VDC	31.0VDC	62.0VDC	15.5VDC	31.0VDC	62.0VDC
BAT.High Shut-down ± 3%	16.0VDC	32.0VDC	64.0VDC	16.0VDC	32.0VDC	64.0VDC
BAT.High Restart ± 3%	15.0VDC	30.0VDC	60.0VDC	15.0VDC	30.0VDC	60.0VDC
Input Protection	Reverse Polarity (Fuse) / Under Voltage / Over Voltage Protection / AC over current (Breaker)					

MODEL	SD1500-112	SD1500-124	SD1500-148	SD1500-212	SD1500-224	SD1500-248
Output Protection	Short Circuit / Overload / Over Temperature / Over Voltage Protection					
Environment						
Working Temp.	-20~+60°C; refer SD1500 power de-rating curve					
Storage Temp.	-40~+70°C					
Relative Humidity	Max. 90%, non-condensing					
Safety & EMC						
Safety Standards	Certified UL 458 (UL only for hardwire)		----		Certified EN 62368-1	
EMC Standards	Certified FCC Class B			Certified EN55032, EN55024		
E-Mark	----			Certified CISPR 25; ISO 7637-2		
Control & Signal						
LED Indicator	Input voltage level, faulty status					
Remote Control	CR-6, CR-8 and CR-10					
Others						
Dimension (WxHxD)	283x128x351 mm / 11.14x5.04x13.82 inch					
Weight	5.5 kg					
Cooling	Load & Thermal control fan					
Communication Port	RS-232 (RJ-11 type connector), Ethernet (Optional)					



Note

The specifications are subject to change without prior notice. All the test environments are conducted under the rated power operation conditions.

① Please refer to P.10 Transfer-Time Table.

2-3-2. SD2500 Specification

MODEL	SD2500-112	SD2500-124	SD2500-148	SD2500-212	SD2500-224	SD2500-248
Output						
Rating Power	2500VA (de-rating after 40°C, refer to de-rating curve)					
Output Power (Max. 3 min.)	2500~3000VA					
Peak Power (Max. 3 sec.)	3000~4000VA					
Surge Power (Max. 0.2 sec.)	>4000VA					
Waveform	Pure Sine Wave					
Efficiency (Max.)	88%	89%	90%	88%	88%	90%
Output Voltage (@rated VDC)	100 / 110 / 115 / 120VAC ± 3%			200 / 220 / 230 / 240VAC ± 3%		
Output Frequency	50 / 60Hz ± 0.1%					
Total Harmonic Distortion (THD)	< 3% @ under condition : greater than 1.15 times of the rated VDC, 110V / linear load)			< 3% @ under condition : greater than 1.15 times of the rated VDC, 230V / linear load)		
DC Input						
DC Voltage	12VDC	24VDC	48VDC	12VDC	24VDC	48VDC
Voltage Range	10.0~16.0 VDC	20.0~32.0 VDC	40.0~64.0 VDC	10.0~16.0 VDC	20.0~32.0 VDC	40.0~64.0 VDC
No load Power Consumption	@12VDC	@24VDC	@48VDC	@12VDC	@24VDC	@48VDC
On Mode @ Save Mode	0.9A	0.5A	0.3A	1.1A	0.7A	0.4A
On Mode @ No Load Mode	< 3.2A	< 1.6A	< 1.0A	< 3.6A	< 1.8A	< 1A
Fuse	40Ax9	20Ax9	15Ax6	40Ax9	20Ax9	15Ax6
AC Input						
AC Range	100 / 110 / 115 / 120VAC ± 12.5%			200 / 220 / 230 / 240VAC ± 12.5%		
Frequency Selectable	50 / 60 Hz					
Synchronous Frequency	47~57 / 53~63 Hz					
Circuit Breaker	35A			20A		
Transfer Switch ^①	Standard ATS : Inverter to utility AC : 8~10ms.; Utility AC to inverter : 16~50ms. Optional STS module : Single < 4ms; N+1 & 1P3W & 3P4W < 6ms					
Protection						
BAT.Low Alarm ± 3%	10.5VDC	21.0VDC	42.0VDC	10.5VDC	21.0VDC	42.0VDC
BAT.Low Shut-down ± 3%	10.0VDC	20.0VDC	40.0VDC	10.0VDC	20.0VDC	40.0VDC
BAT.Low Restart ± 3%	12.5VDC	25.0VDC	50.0VDC	12.5VDC	25.0VDC	50.0VDC
BAT.High Alarm ± 3%	15.5VDC	31.0VDC	62.0VDC	15.5VDC	31.0VDC	62.0VDC
BAT.High Shut-down ± 3%	16.0VDC	32.0VDC	64.0VDC	16.0VDC	32.0VDC	64.0VDC
BAT.High Restart ± 3%	15.0VDC	30.0VDC	60.0VDC	15.0VDC	30.0VDC	60.0VDC

MODEL	SD2500-112	SD2500-124	SD2500-148	SD2500-212	SD2500-224	SD2500-248
Input Protection	Reverse Polarity (Fuse) / Under Voltage / Over Voltage Protection / AC over current (Breaker)					
Output Protection	Short Circuit / Overload / Over Temperature / Over Voltage Protection					
Environment						
Working Temp.	-20~+60°C; refer SD2500 power de-rating curve					
Storage Temp.	-40~+70°C					
Relative Humidity	Max. 90%, non-condensing					
Safety & EMC						
Safety Standards	Certified UL 458 (UL only for hardwire)		----		Certified EN62368-1	
EMC Standards	Certified FCC Class B			② Certified EN 55014-1, EN 55014-2; EN 61000-3-2, -3-3; EN 62368-1		
E-Mark	----			Certified CISPR 25; ISO 7637-2		
Control & Signal						
LED Indicator	Input voltage level, faulty status					
Remote Control	CR-6, CR-8 and CR-10					
Others						
Dimension (WxHxD)	283x128x436 mm / 11.14x5.04x17.17 inch					
Weight	8 kg					
Cooling	Load & Thermal control fan					
Communication Port	RS-232 (RJ-11 type connector), Ethernet (Optional)					



Note

The specifications are subject to change without prior notice. All the test environments are conducted under the rated power operation conditions.

- ① Please refer to P.10 Transfer-Time Table.
- ② EN 55014-1, EN 55014-2 Class B: output cable less than 2 meters.

2-3-3. SD3500 Specification

MODEL	SD3500-112	SD3500-124	SD3500-148	SD3500-212	SD3500-224	SD3500-248
Output						
Rating Power	3500W (de-rating after 35°C, refer to de-rating curve for 12V) (de-rating after 40°C, refer to de-rating curve for 24V and 48V)					
Output Power (Max. 3 min.)	3500~4500 W					
Peak Power (Max. 3 sec.)	4500~6000 W					
Surge Power (Max. 0.2 sec.)	>6000 VA					
Waveform	Pure Sine Wave					
Efficiency (Max.)	90%	90%	91%	90%	91%	91%
Output Voltage (@rated VDC)	100 / 110 / 115 / 120VAC ± 3%			200 / 220 / 230 / 240VAC ± 3%		
Output Frequency	50 / 60Hz ± 0.1%					
Total Harmonic Distortion (THD)	< 3% @ under condition : greater than 1.15 times of the rated VDC, 110V / linear load)			< 3% @ under condition : greater than 1.15 times of the rated VDC, 110V / linear load)		
DC Input						
DC Voltage	12VDC	24VDC	48VDC	12VDC	24VDC	48VDC
Voltage Range	10.0~16.0 VDC	20.0~32.0 VDC	40.0~64.0 VDC	10.0~16.0 VDC	20.0~32.0 VDC	40.0~64.0 VDC
No load Power Consumption	@12VDC	@24VDC	@48VDC	@12VDC	@24VDC	@48VDC
On Mode @ Save Mode	1.4A	0.5A	0.5A	1.4A	0.5A	0.5A
On Mode @ No Load Mode	< 2.9A	< 1.4A	< 0.8A	< 3.6A	< 1.8A	< 1A
Fuse	40Ax12	20Ax12	20Ax6	40Ax12	20Ax12	20Ax6
AC Input						
AC Range	100 / 110 / 115 / 120VAC ± 12.5%			200 / 220 / 230 / 240VAC ± 12.5%		
Frequency Selectable	50 / 60 Hz					
Synchronous Frequency	47~57 / 53~63 Hz					
Circuit Breaker	35A			20A		
Transfer Switch ^①	Standard ATS : Inverter to utility AC : 8~10ms.; Utility AC to inverter : 16~50ms. Optional STS module : Single < 4ms; N+1 & 1P3W & 3P4W < 6ms					
Protection						
BAT.Low Alarm ± 3%	10.5VDC	21.0VDC	42.0VDC	10.5VDC	21.0VDC	42.0VDC
BAT.Low Shut-down ± 3%	10.0VDC	20.0VDC	40.0VDC	10.0VDC	20.0VDC	40.0VDC
BAT.Low Restart ± 3%	12.5VDC	25.0VDC	50.0VDC	12.5VDC	25.0VDC	50.0VDC
BAT.High Alarm ± 3%	15.5VDC	31.0VDC	62.0VDC	15.5VDC	31.0VDC	62.0VDC
BAT.High Shut-down ± 3%	16.0VDC	32.0VDC	64.0VDC	16.0VDC	32.0VDC	64.0VDC
BAT.High Restart ± 3%	15.0VDC	30.0VDC	60.0VDC	15.0VDC	30.0VDC	60.0VDC

MODEL	SD3500-112	SD3500-124	SD3500-148	SD3500-212	SD3500-224	SD3500-248
Input Protection	Reverse Polarity (Fuse) / Under Voltage / Over Voltage Protection / AC over current (Breaker)					
Output Protection	Short Circuit / Overload / Over Temperature / Over Voltage Protection					
Environment						
Working Temp.	-20~+60°C; refer SD3500 power de-rating curve					
Storage Temp.	-40~+70°C					
Relative Humidity	Max. 90%, non-condensing					
Safety & EMC						
Safety Standards	Certified UL 458 (UL only for hardwire)		----		Certified EN62368-1	
EMC Standards	Certified FCC Class B				② Certified EN 55014-1, EN 55014-2; EN 61000-3-2, -3-3; EN 61000-6-1, -6-2, -6-3, -6-4 EN 62368-1, EN 61204-3	
E-Mark	----				Certified CISPR 25; ISO 7637-2	
Control & Signal						
LED Indicator	Input voltage level, faulty status					
Remote Control	CR-6, CR-8 and CR-10					
Others						
Dimension (WxHxD)	283x128x496 mm / 11.14x5.04x19.53 inch					
Weight	10 kg					
Cooling	Load & Thermal control fan					
Communication Port	RS-232 (RJ-11 type connector), Ethernet (Optional)					



Note

The specifications are subject to change without prior notice. All the test environments are conducted under the rated power operation conditions.

- ① Please refer to P.10 Transfer-Time Table.
- ② EN 55014-1, EN 55014-2 Class B: output cable less than 2 meters.

De-rating Curve

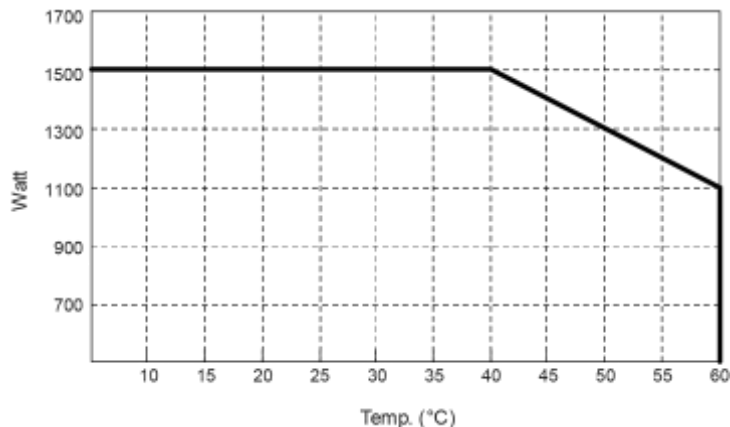


Figure 1. SD1500 de-rating curve

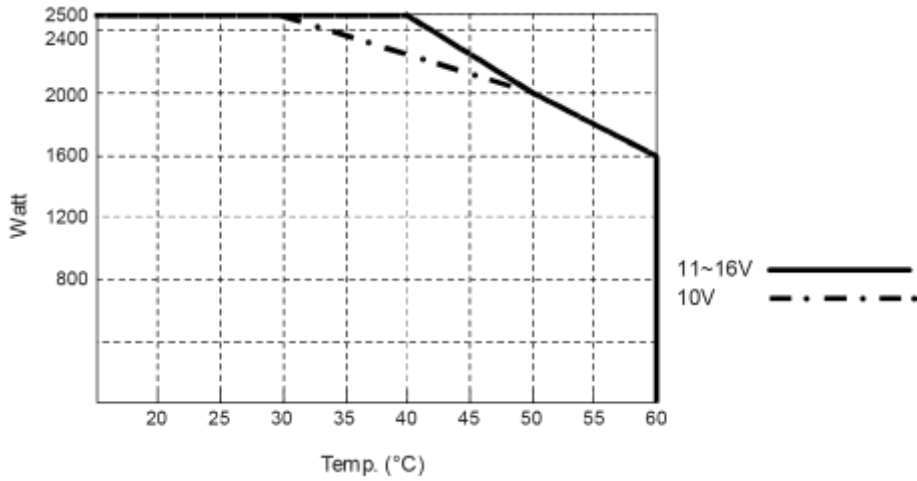


Figure 2. SD2500 de-rating curve

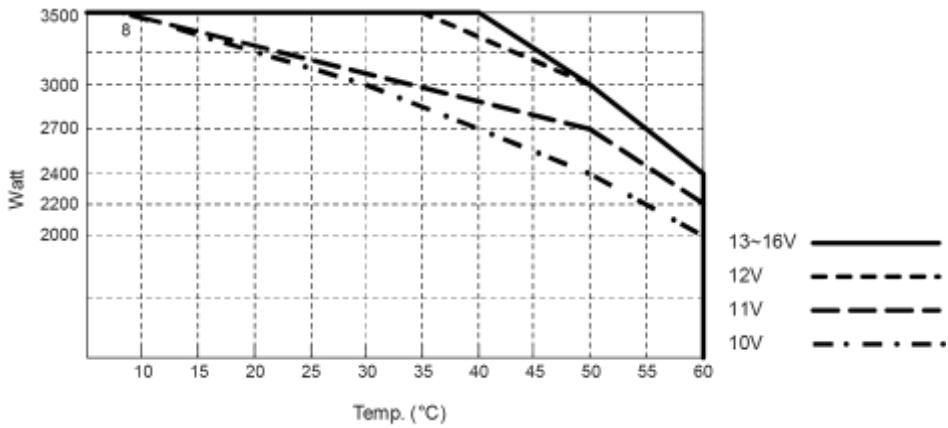


Figure 3. SD3500 de-rating curve

SD Series Transfer-Time Table		
Mode / Transfer Switch	ATS	STS
Haphazard	Inverter to utility AC: 8~10ms.; Utility AC to inverter: 16~50ms.	Frequency is synchronized: < 4ms.; Frequency is not synchronized: Inverter to utility AC: < 4ms.; Utility AC to inverter: 16~50ms.
Normal	Inverter to utility AC: 8~10ms.; Utility AC to inverter: 16~25ms.	< 4ms
Exacting	Inverter to utility AC: 8~10ms.; Utility AC to inverter: 16~50ms.	Inverter to utility AC: < 4ms.; Utility AC to inverter: 16~50ms.
Online	Inverter to utility AC: 16~25ms.; Utility AC to inverter: 16~25ms.	< 4ms

Table 1. SD series transfer-time

2-4. Mechanical Drawings

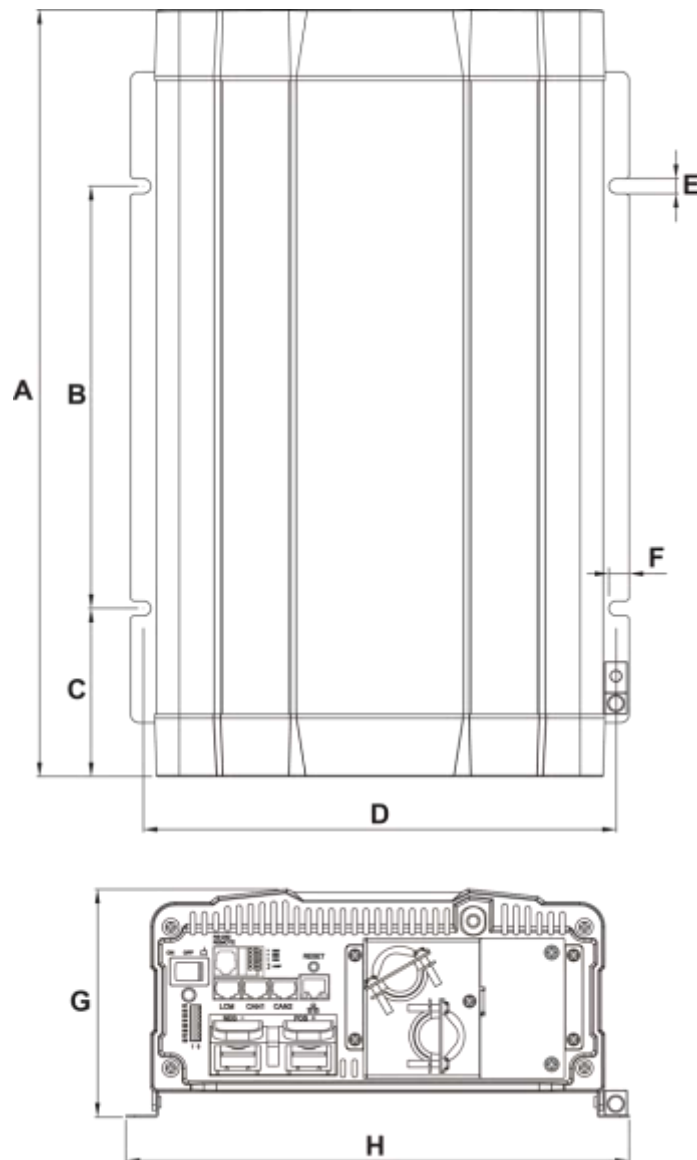
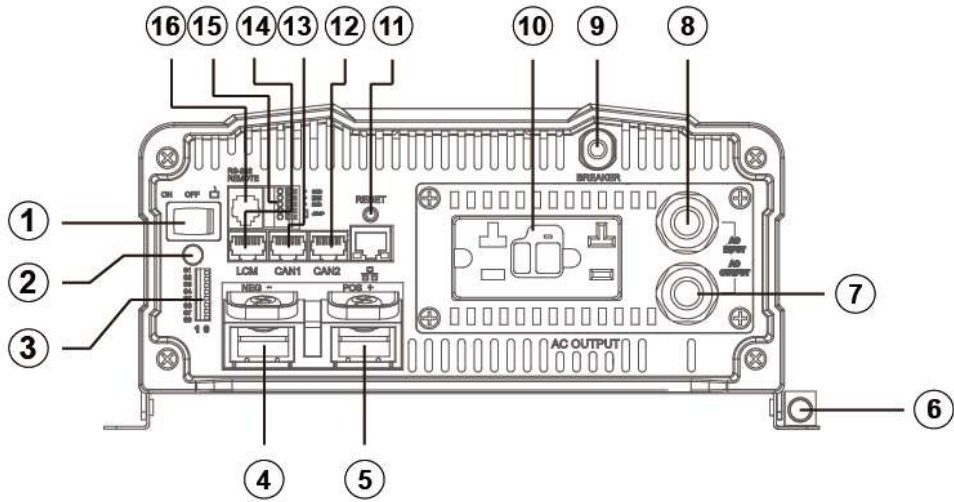


Figure 4. SD series mechanical drawings

Model	A (mm)	B (mm)	C (mm)	D (mm)	E (mm)	F (mm)	G (mm)	H (mm)
SD1500	351	160	93.1	268.6	8.5	11.5	128	283
SD2500	436	240.0	95.6	268.6	8.5	11.5	128	283
SD3500	496	240.0	125.6	268.6	8.5	11.5	128	283

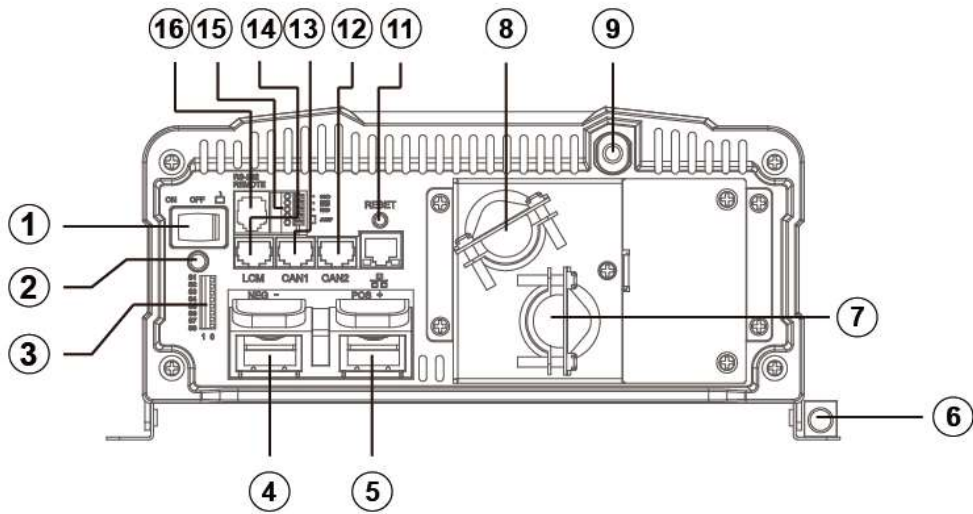
Table 2. SD series dimension

3.Introduction



【Version 1】 General Model

Figure 5. SD general model front panel



【Version 2】 UL Model

Figure 6. SD UL model front panel

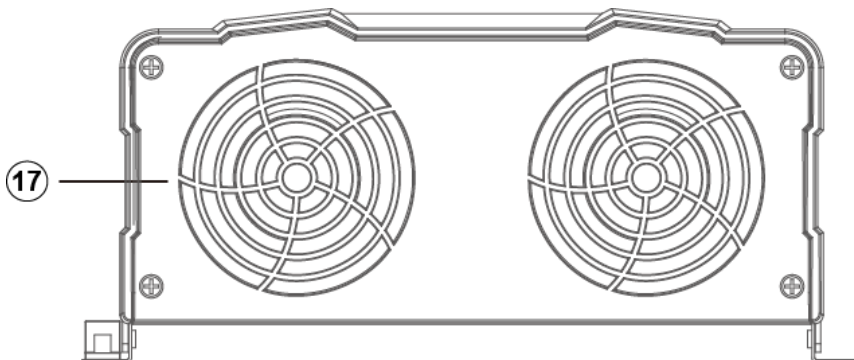


Figure 7. SD series rear panel

Front Panel / Rear Panel	
1 Power ON/OFF/REMOTE (Main) switch	10 AC output socket
2 Status LED	11 Reset Button
3 Dip Switch (S1~S8)	12 CAN2 Port (only to be used in parallel mode)
4 DC Input -	13 CAN1 Port (only to be used in parallel mode)
5 DC Input +	14 LCM Port (Connection for LCD remote control panel)
6 Chassis Ground	15 Green terminal (Remote and Parallel select)
7 AC Output	16 Remote / RS-232 port
8 By-pass AC Input	17 FAN
9 AC input circuit breaker	

Table 3. SD front panel / rear panel introduction

3-1. Power ON / OFF / REMOTE (Main) switch

- A. Before installing the inverter, please ensure the main switch is in the OFF position.
- B. Before using the remote unit, please ensure the main switch is in the REMOTE position.
- C. Main switch ON / OFF will not control AC Grid input, therefore for any maintenances please remove the AC Grid connection to prevent damage of SD series, then turn off the Main switch to OFF position for maintenance service.

3-2. LED Indicator

Green LED	LED Signal	Status
Solid	—————	Power OK
Slow Blink	- - - - -	Power Saving
Intermittent Blink	Bypass
Orange LED	LED Signal	Status
Fast Blink	- - - - -	OVP
Slow Blink	- - - - -	UVP
Red LED	LED Signal	Status
Intermittent Blink	OTP
Fast Blink	- - - - -	OVP- Shut-down
Slow Blink	- - - - -	UVP- Shut-down
Solid	—————	OLP
Intermittent Blink	- .. - .. - .. -	Fan Failure
Intermittent Blink	- ... - ... - ... -	Component Failure

Table 4. SD LED indicator

3-3. DIP Switch (S1~S8) Assignment

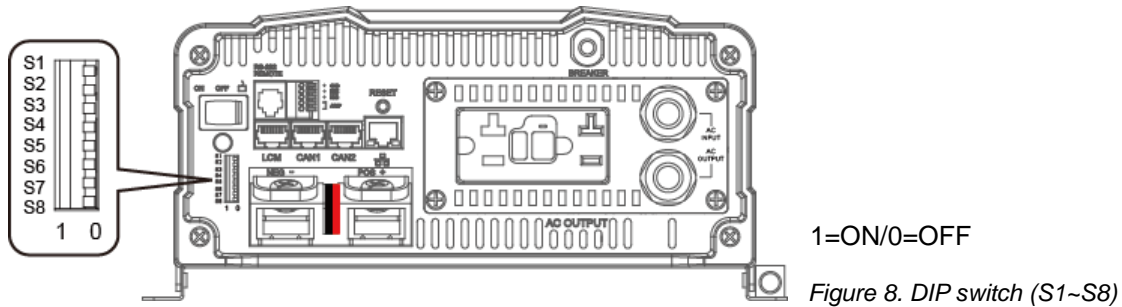


Figure 8. DIP switch (S1~S8)

PIN#	PIN Assignment
1	AC output voltage setting
2	AC output voltage setting
3	AC output frequency setting
4	To set-up 3 Phase output or Energy-saving level
5	To set-up 3 Phase output or Energy-saving level
6	To set-up 3 Phase output or Energy-saving level
7	To set-up DIP Switch S4~S6 for power saving or 3 Phase output
8	To set-up function parameters adjustment via LCM port or DIP switch

Table 5. DIP switch (S1~S8) PIN assignment

3-3-1. DIP switch set-up

S1	S2	S3	S4	S5	S6	S7	S8	Scenario
0	0	X	X	X	X	X	X	AC output voltage : 100VAC/200VAC
1	0	X	X	X	X	X	X	AC output voltage : 110VAC/220VAC
0	1	X	X	X	X	X	X	AC output voltage : 115VAC/230VAC
1	1	X	X	X	X	X	X	AC output voltage : 120VAC/240VAC
X	X	0	X	X	X	X	X	AC output frequency : 50Hz
X	X	1	X	X	X	X	X	AC output frequency : 60Hz
X	X	X	X	X	X	0	X	Power saving mode setting (S4~S6); No master-slave in parallel
X	X	X	X	X	X	1	X	3 Phase output setting (S4~S6)
X	X	X	X	X	X	X	0	Adjust function parameters via LCM port
X	X	X	X	X	X	X	1	Adjust function parameters via DIP switch

1=ON / 0=OFF

Table 6. DIP switch set-up

3-3-2. Power Saving Mode

Power Saving Mode is adjustable and set by the Dip Switches, S4, S5 and S6 on the front panel. Example SD2500 : Saving set 2%, the load is below 50W 10 sec. will into saving mode, more than 150W or more leave saving mode.

A. Power device enter the saving mode

The rate power x setting % = the threshold enter the power saving model

In case the load less than threshold value 10 seconds, the power device will enter the saving mode.

B. Power device leaving saving mode(re-start)

Restart threshold = rate power x setting % x 2~3

In case the power over the restart threshold, the power device will re-start and provide the AC power.

S1	S2	S3	S4	S5	S6	S7	S8	Scenario
X	X	X	0	0	0	0	X	Power saving DISABLE
X	X	X	1	1	0	0	X	Go in power saving mode when output load is under 4% of rating power
X	X	X	0	0	1	0	X	Go in power saving mode when output load is under 5% of rating power
X	X	X	1	0	1	0	X	Go in power saving mode when output load is under 6% of rating power
X	X	X	0	1	1	0	X	Go in power saving mode when output load is under 7% of rating power
X	X	X	1	1	1	0	X	Go in power saving mode when output load is under 8% of rating power

1=ON / 0=OFF

Table 7. Power saving mode set-up

3-3-3. S4~S6 Set-up for parallel application

S1	S2	S3	S4	S5	S6	S7	S8	Scenario
X	X	X	0	0	0	1	X	Master (0°); "R" Phase to be used for 1Ø3W output in series connection(Master) or 3Ø4W output connection("R" Phase)
X	X	X	0	0	1	1	X	Slave (0°) with current sharing to be used in parallel connection only
X	X	X	0	1	1	1	X	Slave (180°), to be used for 1Ø3W output in series connection(L-NN-L)
X	X	X	1	0	0	1	X	Slave (-120°), "S" Phase to support "S" Phase be(-120°) in 3Ø4W output connection
X	X	X	1	0	1	1	X	Slave (120°), "T" Phase to support "T" Phase be(120°) in 3Ø4W output connection
X	X	X	1	1	1	1	X	Disable parallel function

1=ON / 0=OFF

Table 8. Parallel application set-up

3-3-4. Parameter select: "S8" select SD's parameter setting by dip switch or LCM port

Set Value	S8
LCM port	0
DIP switch	1

1=ON / 0=OFF

Table 9. Parameter select

3-4. DC Input - (please refer to DC wiring connections on P.20)

3-5. DC Input + (please refer to DC wiring connections on P.20)

3-6. Chassis Ground : Connect the wire # 8 AWG to vehicle chassis



WARNING!

Operating the inverter without a proper ground connection may cause electrical safety hazard.

3-7. AC Output (Please refer to hard wiring installation on P.22)

3-8. By-pass AC input (please refer to hard wiring installation on P.22)

3-9. AC input circuit breaker

The AC input circuit breaker protects the model from overload. When an overload condition exists, the circuit breaker stops supplying output AC grid power. To reset it, push the circuit breaker switch then the model will be back in normal operation. The source fault should be corrected before you reset it.

3-10. AC output socket (please refer to 4-2-3. on P.24)

3-11. Reset Button (only to be used for Ethernet interface)

The Reset Button is to be used to resume the IP address to factory default value :

IP : 192.168.100.181

Subnet Mask : 255.255.255.0

3-12. CAN1 and CAN2 Port (only to be used in parallel mode)

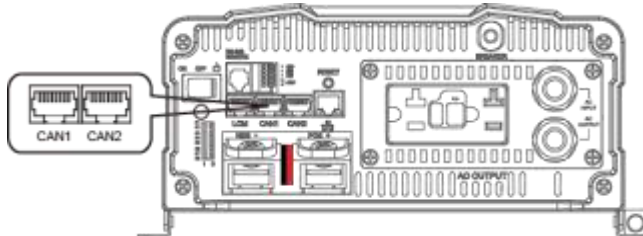


Figure 9. CAN1 and CAN2 port

1. Before using parallel mode, you need to ensure the green terminal's parallel jump status is set to ON.
2. Use the RJ-45 line (RJ-45 network cable : parallel connection) to link one of the SD Series CAN1 (CAN2) port to the other CAN1 (CAN2) port.

PIN#	LCM port	CAN1 port	CAN2 port
1	CANH	CAN_H	CAN_H
2	CANL	CAN_L	CAN_L
3	P1	Reserved	Reserved
4	VCC-	Reserved	Reserved
5	VCC+	Reserved	Reserved
6	DIS	Reserved	Reserved
7	5VS-	RND	RND
8	5VS+	Reserved	Reserved

Table 10. LCM, CAN1, CAN2 port : PIN number and signal description

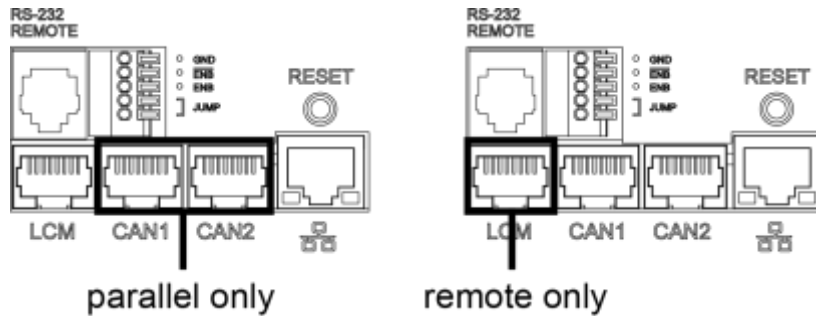


WARNING!

LCM port is for remote control connection only.

Please make sure the connection is correct. (CAN cable to CAN1 / CAN2 port , Remote cable to LCM port)

If CAN cable is connected to LCM port, or vice versa, the inverter will be damaged.



3-13. LCM Port

Connection for LCD remote control panel, you can set and display the SD-series operation status.

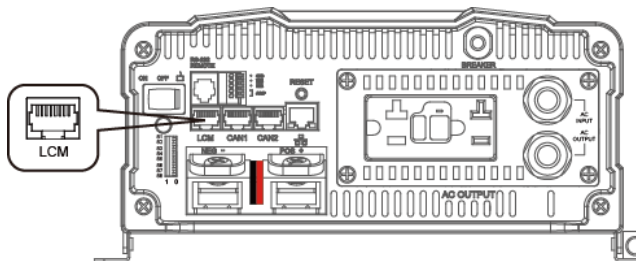


Figure 10. LCM port



Figure 11. LCM cable

LCD Remote Control Panel		SD Series
PIN Num.	Signal Description	PIN Num.
1	CANH	1
2	CANL	2
3	PON	3
4	VCC-	4
5	VCC+	5
6	DIS	6
7	5VS-	7
8	5VS+	8

Table 11. PIN number and signal description for LCD remote control



Note

The cables should be as short as possible (less than 32.8 feet / 10 meters) so that they can handle the signal.

3-14. Green terminal (Remote and Parallel select)

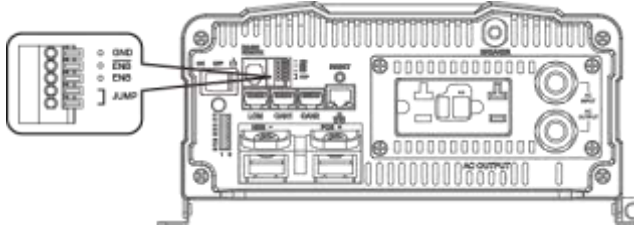


Figure 12. Green terminal

PIN #	PIN Assignment
1	GND
2	-ENB
3	ENB
4	Parallel Jump
5	Parallel Jump

Table 12. Green terminal PIN assignment

3-14-1. Parallel Jump Function (please refer to section 5 for further detailed info.)

1. Before installing the inverter, you need to ensure the main switch is in the OFF position.
2. Use 20 ~ 24 #AWG wire to connect the parallel jump terminal.

3-14-2. Remote Control Function

1. Before installing the inverter, please ensure that the main switch is in the OFF position.
2. Before using the remote control terminal, please ensure the main switch is in the REMOTE position.
3. Use 20 ~ 24 #AWG wire to connect the remote control terminal.
4. Remote control ON/OFF inverter setup status.

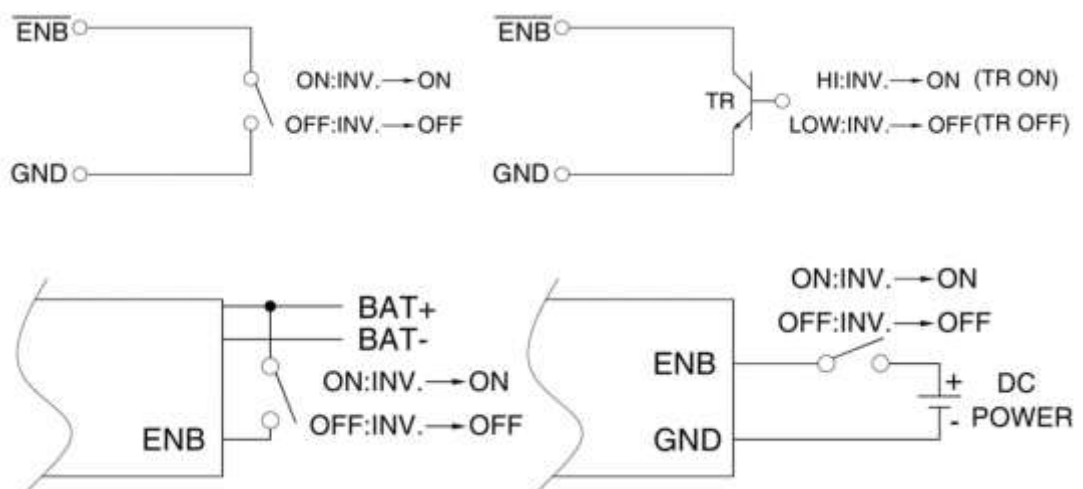


Figure 13. Remote control function setting



Note

The above 4 methods can be used to turn ON/OFF.

3-15. RS-232 Port

RS-232 Port : Serial port monitoring and control through computer's interface.

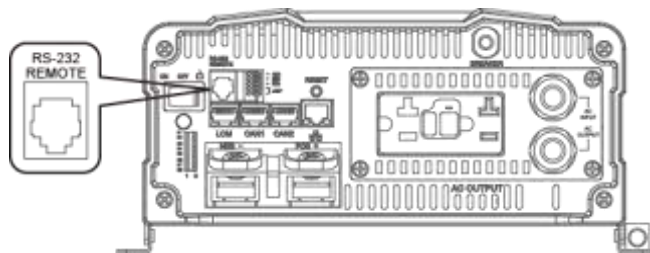


Figure 14. RS-232 port



Figure 15. RS-232 cable

SD Series		Computer	
PIN Num.	Signal Description	PIN Num.	Signal Description
1	Not used	1	Not used
2	GND	5	GND
3	RXD	3	TXD
4	TXD	2	RXD
5	Not used		Not used
6	Not used		Not used

Table 13. The connection between SD series and computer

The connection between this SD-series and the computer is as follows :

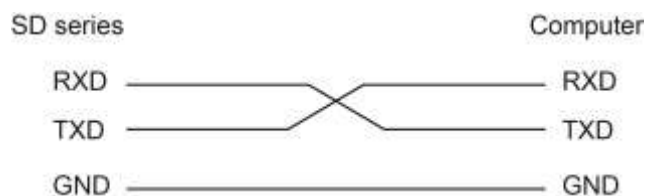


Figure 16. The connection between SD series and computer

3-16. Fan Ventilation

The rear panel must keep the distance at least 1 feet from any surrounding items.

3-17. Protections Features

Model	DC Input (VDC)					
	Over Voltage		Over Voltage Alarm*	Under Voltage		Under Voltage Alarm
	Shut-down	Restart		Shut-down	Restart	
12V	16 ± 0.25	15 ± 0.25	15.5 ± 0.25	10 ± 0.25	12.5 ± 0.25	10.5 ± 0.25
24V	32 ± 0.5	30 ± 0.5	31 ± 0.5	20 ± 0.5	25 ± 0.5	21 ± 0.5
48V	64 ± 1	60 ± 1	62 ± 1	40 ± 1	50 ± 1	42 ± 1

*OVA only LED prompt, no beeper alarm.

Table 14. Protections Features

4.DC Wiring Connections

Follow the instructions to connect the battery cables to the DC input terminals of the Inverter. The cable should be as short as possible (less than 6 feet / 1.8 meters ideally) so that it can handle the required current in accordance with the electrical codes or application regulations. Inappropriate length of cables will reduce the inverter performance such as poor surge capability, frequent low-input voltage warnings, and shut-down. When under voltage protect condition, please check the cable size and specification (length and diameter should conform to manual requirements) between battery and SD model.

The longer or the narrower the cable is, the more the voltage drops. Increasing your DC cable diameter will help to improve the situation.

The following are recommended cable diameter for the best performance of the inverter. (Applies to both 120V and 230V versions)

Model No.	Wire AWG	Inline Fuse
SD1500-112 / 212	# 0	250 A
SD1500-124 / 224	# 1	125A
SD1500-148 / 248	# 4	90A
SD2500-112 / 212	# 3/0	350 A
SD2500-124 / 224	# 1	175 A
SD2500-148 / 248	# 4	90A
SD3500-112 / 212	# 4/0	500 A
SD3500-124 / 224	# 0	250 A
SD3500-148 / 248	# 2	125 A

Table 15. SD series wiring cable diameter and inline fuse

Connect the cables to the power input terminals on the front panel of the inverter. The red terminal is positive (+) and black terminal is negative (-).

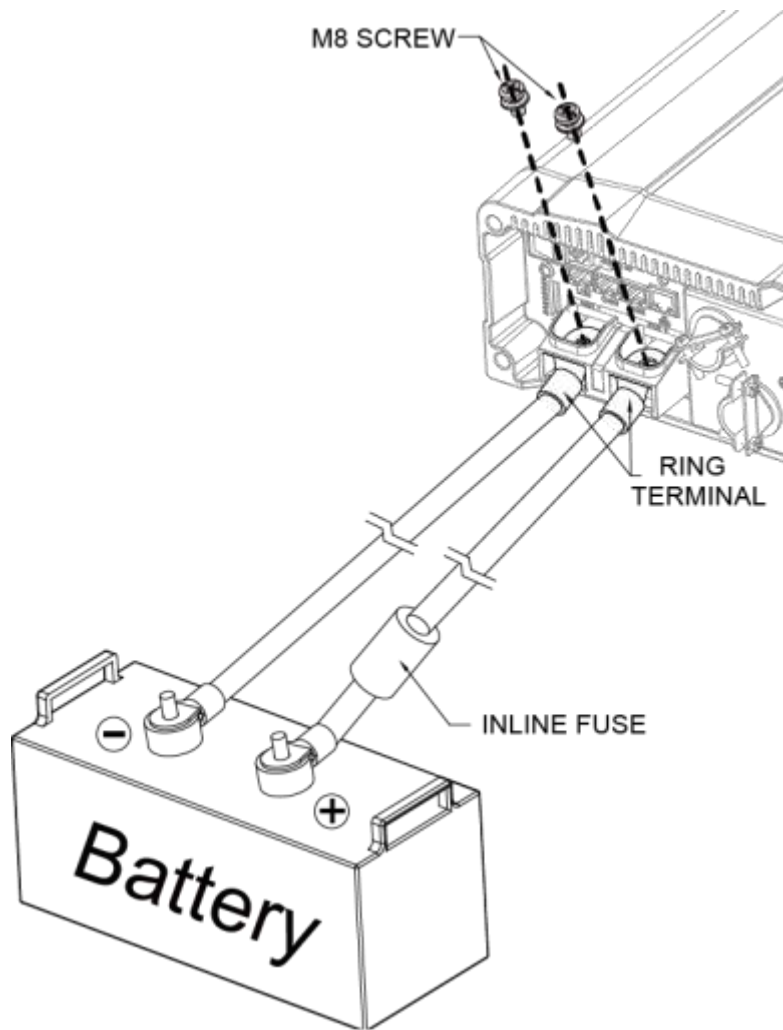
Insert the cables into the terminals and tighten the screw to clamp the wires securely.



WARNING!

1. Make sure all the DC connections are tight (torque to 11 ft-lbs, 15 Nm Max.). Loose connections could overheat and result in a potential hazard.
2. The installation of a fuse must be on the positive cable. Failure to place a fuse on “+” cables running between the inverter and battery may cause damage to the inverter and will void warranty.

Also, only use high quality copper wire and keep the cable length short - maximum of 3 - 6 feet.



Do not place anything between battery cable lug and terminal surface. Assemble exactly as shown.

Figure 17. Battery cabling



WARNING!

During the first installation, a small spark is a normal phenomenon because the internal capacitors charging. Do not be concerned.

4-1. DC Input Terminals

Connect DC input terminals to 12V / 24V / 48V battery or other power sources.

[+] represents positive, [-] represents negative. Reverse polarity connection can blow the internal fuse and may damage the inverter permanently.

Model	DC Input Voltage	
	Minimum	Maximum
12V	10V	16V
24V	20V	32V
48V	40V	64V

Table 16. SD series DC input voltage range

4-2. Hard-wire Installation

4-2-1. SD series provides the flexibility of hard-wire connection, and this function will make external control panel wiring easier.

【Version 1】 General model

Step 1.

Remove the four screws of AC wiring compartment and pull it out with care.

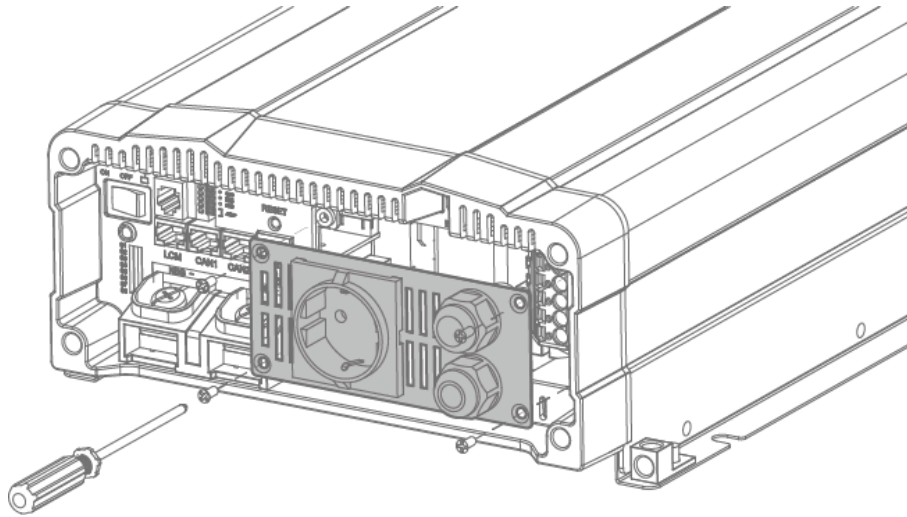


Figure 18. General model setting—Step 1

Step 2.

Pull the line through the snap bushing of the AC wiring compartment cover then follow below picture operation.

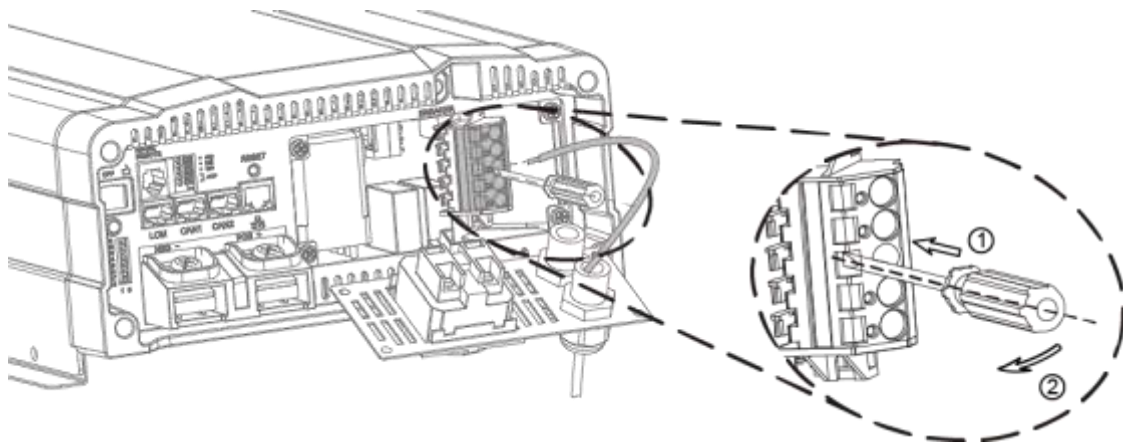


Figure 19. General model setting—Step 2

100VAC~120VAC / 200VAC~240VAC System

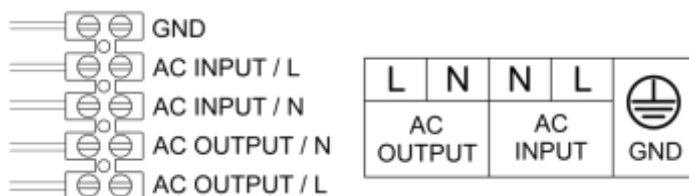


Figure 20. General model setting—AC wiring

**Note**

The only difference between 110V and 220V is within the AC Input breaker L or N and thus will not affect the wiring configuration.

**Note**

In case that user wants to install the earth-leakage circuit breaker, COTEK recommend time delay type. The major specification of the circuit breaker is as following :

Earth-leakage current : 100mA, 300mA, 500mA

Time : 0.45 second, 1 second, 2 seconds

Recommend model : NV50-SN, Time delay type of Shihin Electric

【Version 2】 UL model**Step 1.**

Use the screwdriver to remove the cover.

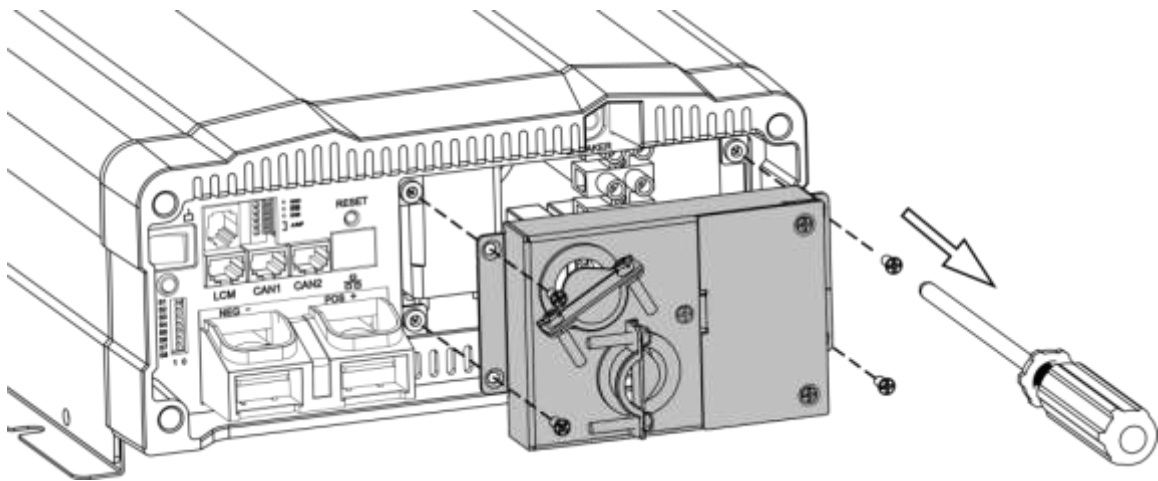


Figure 21. UL model setting—Step 1

Step 2.

AC cable pass through the ring. Wire the AC cable on the terminal.

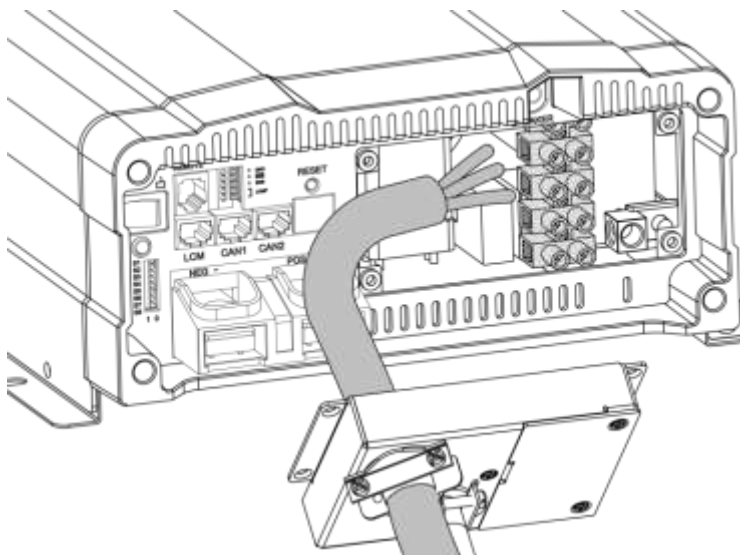


Figure 22. UL model setting—Step 2

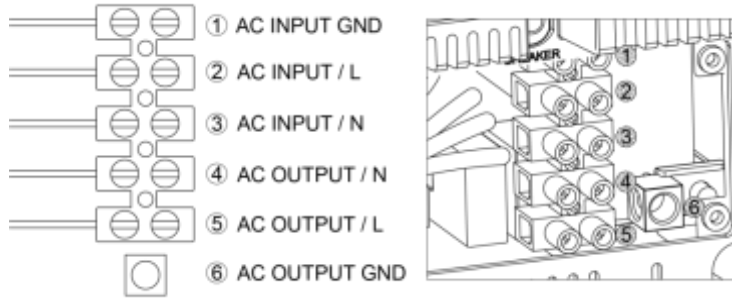


Figure 23. UL model setting—AC wiring

Step 3.

Use the screwdriver to fix the cover.

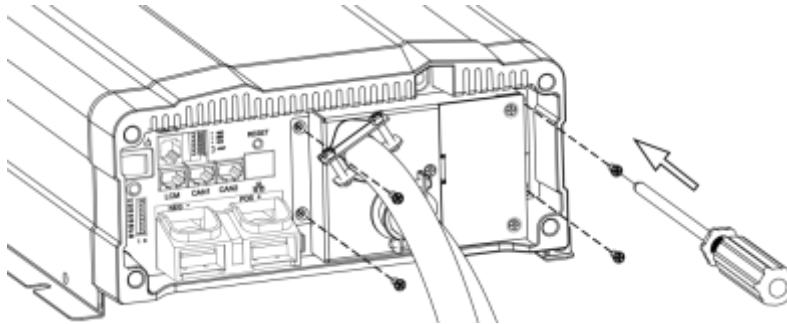


Figure 24. UL model setting—Step 3

4-2-2. Connect AC output and AC input wiring to the SD series terminals.

Please take the following information as your reference.

Terminal		Wire Color	Wire Length / Gauge
AC OUTPUT	Line (L)	Black	Within 16 feet / AWG# 200-240VAC : 12AWG 100-120VAC : 10AWG
	Neutral (N)	White	
AC INPUT	Line (L)	Brown	
	Neutral (N)	Blue	
Ground		Green / Yellow or Bare copper	26~32 feet / AWG#10~12

Table 17. Wire Color / Wire Length / Wire Gauge

4-2-3. Neutral Grounding Connection Setting (For SD1500 Only)

The default setting is option A: NO ONNECTION BETWEEN NEUTRAL CONDUCTOR (N) OF THE AC OUTPUT AND SAFETY GROUND (PE/GND)

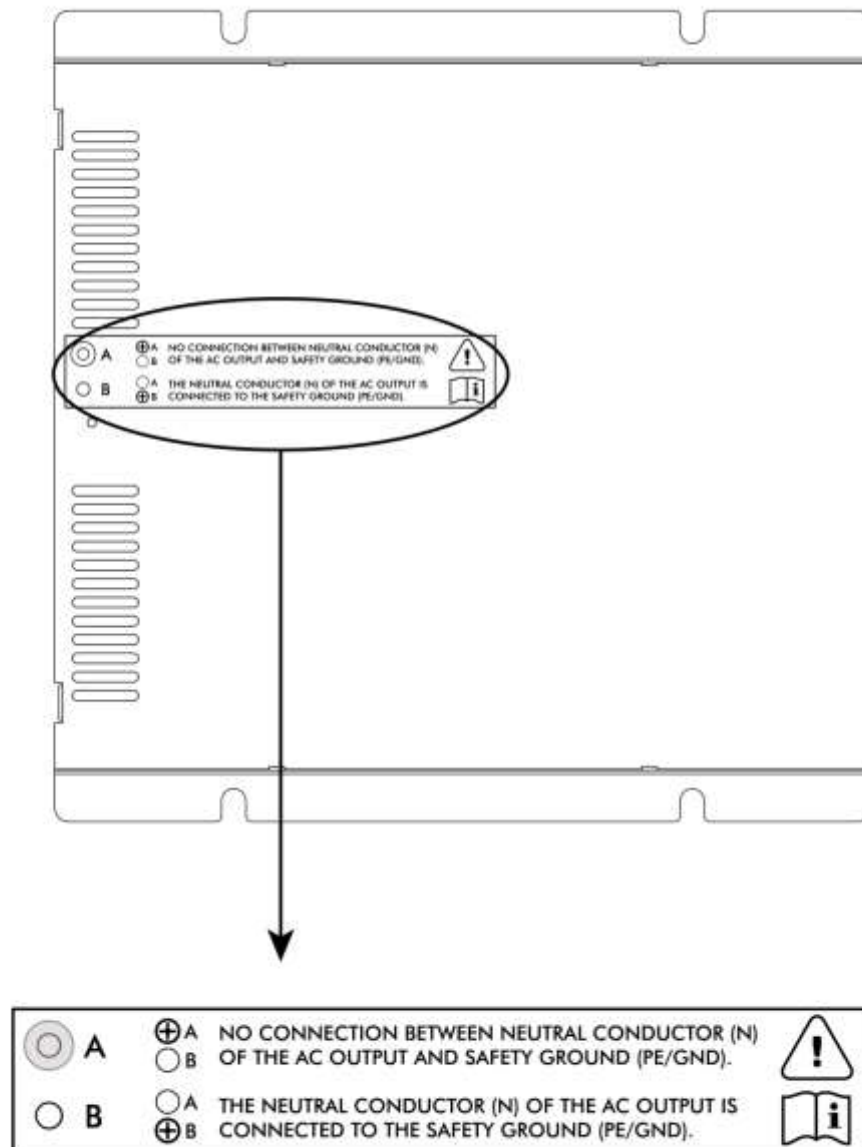


Figure 25. SD1500 Options

CAUTION!



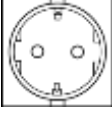
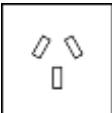
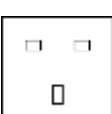
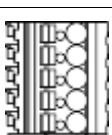

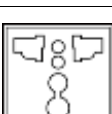
It is advised that all the electrical installation should conform to the local electrical codes and should be carried out by a certified technician.

When the unit is feeding the internally inverted voltage, the current carrying conductors connected to the “L” and “N” terminals of the AC output will be isolated from the metal chassis of the inverter. Hence, during this condition, when the metal

chassis of the inverter is connected to the earth ground, the “N” terminal of the AC output will not be grounded (bonded) to the earth ground. Under this condition, the “N” terminal of the AC output will not be a Neutral in the true sense. Do not touch this terminal as it will be at an elevated voltage (almost half the value the AC output voltage) with respect to the metal chassis / earth ground and may produce an electrical shock when touched!

When the unit is transferring power from the AC input source, the grounding condition of the “N” terminal of the AC output will be the same as the condition of the “N” terminal of the AC input source. If the AC input source is the power supplied from the utility, the “N” terminal would be a Neutral in the true sense. It will normally be bonded to the earth ground and will read almost 0 V with respect to the earth ground. In this case, touching this terminal will not be a shock hazard.

4-2-4. For AC output and terminals of the SD series, you can use both the front wiring terminal and outlet, as they are connected in parallel.

Type	Number of outlet	Voltage (VAC)	Total Current (A)
GFCI 	2	125	20
NEMA 	2	125	15
Europe 	1	250	16
Australia / New Zealand 	1	250	15
U.K. 	1	250	13
Wiring Terminal 	1	100~250	35
① UL458 	1	120	35
② Universal 	1	100~250	16

① UL458 only support 112 and 124 model.

② Only CE (200-240V Type) and FCC (100-120V Type) standard approve.

Table 18. AC input socket / Wiring terminal

**Note**

In case the load current over the outlet rated current, please use the hard wire terminal next to the outlets.

**Note**

Recommend GFCI connector :

- HUBBELL INC WIRING DEVICE DIV, Type GF20 and GFRST20. Rated 125V, 20A
- COOPER WIRING DEVICES, Type VGF20 and SGF20. Rated 125V, 20A
- LEVITON MFG CO INC, Type 7899-W and GFNT2. Rated 125V, 20A
- PASS & SEYMOUR INC, Type 2097. Rated 125V, 20A

**WARNING!**

When using full power, it is recommended to use the wiring terminal.

5.Parallel Mode

5-1. Prepare for Parallel Usage

1. Before setting, you need to ensure that the main switch is "OFF".
2. Before using the parallel function, you need to set the parallel jump of the green terminal the status of which must be "ON", if the between in another SD is set to "OFF" which is termination resistors.

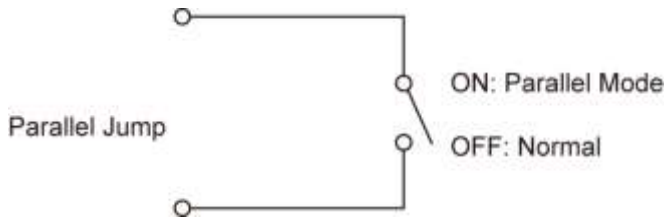


Figure 26. Parallel jump setting

Example : If three SD inverters are paralleled, setup green terminal.

Parallel	Unit 1	Unit 2	Unit 3
Type	Slave #1	Master	Slave #2
Parallel Jump	ON	OFF*	ON

*If you parallel N units, the first (unit 1) and the last unit (unit N) must set parallel jumper in ON position.

Table 19. Jumper setting for parallel usage

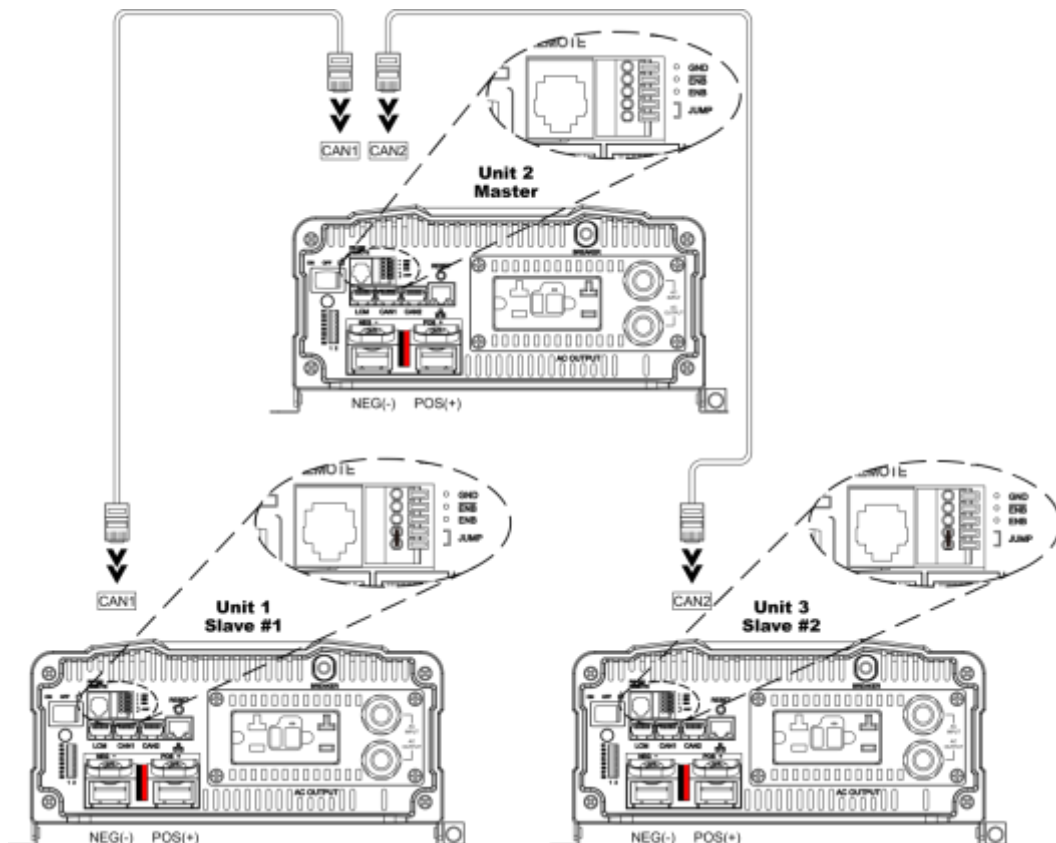


Figure 27. Sample—three SD inverters are paralleled



Note

Please select one unit to be Master unit.
Use the cables to connect Master and Slave units.
The CAN1 and CAN2 port connection please refer to Figure 25.



Note

The simple method to determine the terminal resistor : No need to set the terminal resistor when CAN1 and CAN2 port have wiring.



Note

SD series can be used for N+1 ($N \leq 4$) redundancy and the ability of enlarge the capacity (Users can install maximum 5 units of inverters together in parallel in order to provide the power expansion).

3. Before using the parallel function, you need to set voltage and frequency of all units' DIP switches to the same selection (refer to section 3-3).
4. Check RJ-45 line connects already.
5. SD series based on master-slave architecture and support auto master function. User only set one SD parameters and other SDs will follow the master SD setting.

5-2. Industry Applications

Type	1Φ2W	1Φ3W	3Φ4W
Drawing		<p>The SD series create 1Φ3W power system, L1-L2 Voltage is L1-N double.</p>	
Example	<p>Example : SD2500-124 set output 100V / 50Hz The L-N : 100V / 50Hz</p>	<p>Example : SD2500-124 set output 100V / 50Hz The L1-N : 100V / 50Hz</p>	<p>Example : SD2500-124 set output 100V / 50Hz The phase voltage is 100V / 50Hz (L1-N, L2-N, L3-N) The line voltage : L1-L2, L1-L3, L2-L3 ~ 173V/50Hz</p>

Type	1Φ2W	1Φ3W	3Φ4W
Waveform			
Battery Set up			
Warning	Transfer Switch STS module : Single < 4ms; N+1 & 1P3W & 3P4W < 6ms	Do not support N+1 operation, maximum of two SD inverters, THD < 4%	Do not support N+1 operation, maximum of three SD inverters, THD < 4% *DIP switch (S7) must be set to "1" *
DIP Switch Setting	Refer to 5-2-1. / 5-2-2.	Refer to 5-2-3.	Refer to 5-2-4.
Wiring Diagram	Refer to Figure 32. / Figure 33.	Refer to Figure 34.	Refer to Figure 35.

Table 20. Parallel industry applications

5-2-1. 1Φ2W Switch Table

	Master	Slave 0°
S4	0	0
S5	0	0
S6	0	1
S7	1	1
S8	1	1

Table 21. 1Φ2W switch table

5-2-2. 1Φ2W Switch Table — Auto Master

Auto Master	
S4	0
S5	0
S6	0
S7	0
S8	1

Table 22. 1Φ2W switch table — auto master

5-2-3. 1Φ3W Switch Table

	Master	Slave 180°
S4	0	0
S5	0	1
S6	0	1
S7	1	1
S8	1	1

Table 23. 1Φ3W switch table

5-2-4. 3Φ4W Switch Table

	L1 Master	L2 -120° Slave	L2 +120° Slave
S4	0	1	1
S5	0	0	0
S6	0	0	1
S7	1	1	1
S8	1	1	1

Table 24. 3Φ4W switch table

5-3. Wiring for Parallel Usage

5-3-1. Connection method

1. AC OUTPUT connector setup : Line link to Line; Neutral link to Neutral.
2. AC INPUT connector setup : Line link to Line; Neutral link to Neutral.
3. Battery connector setup : POS+ link to POS+; NEG - link to NEG –

5-3-2. Connection Diagram

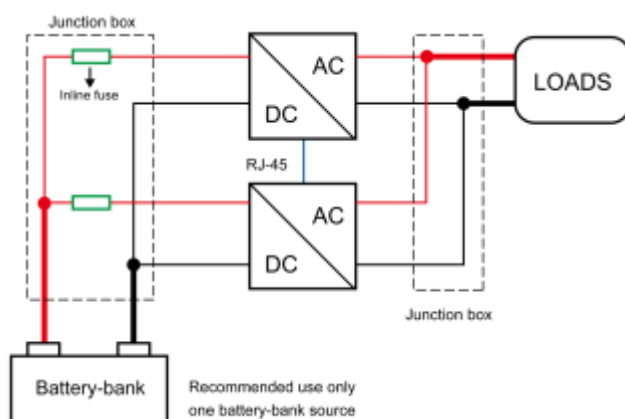


Figure 28. Connection Diagram_1

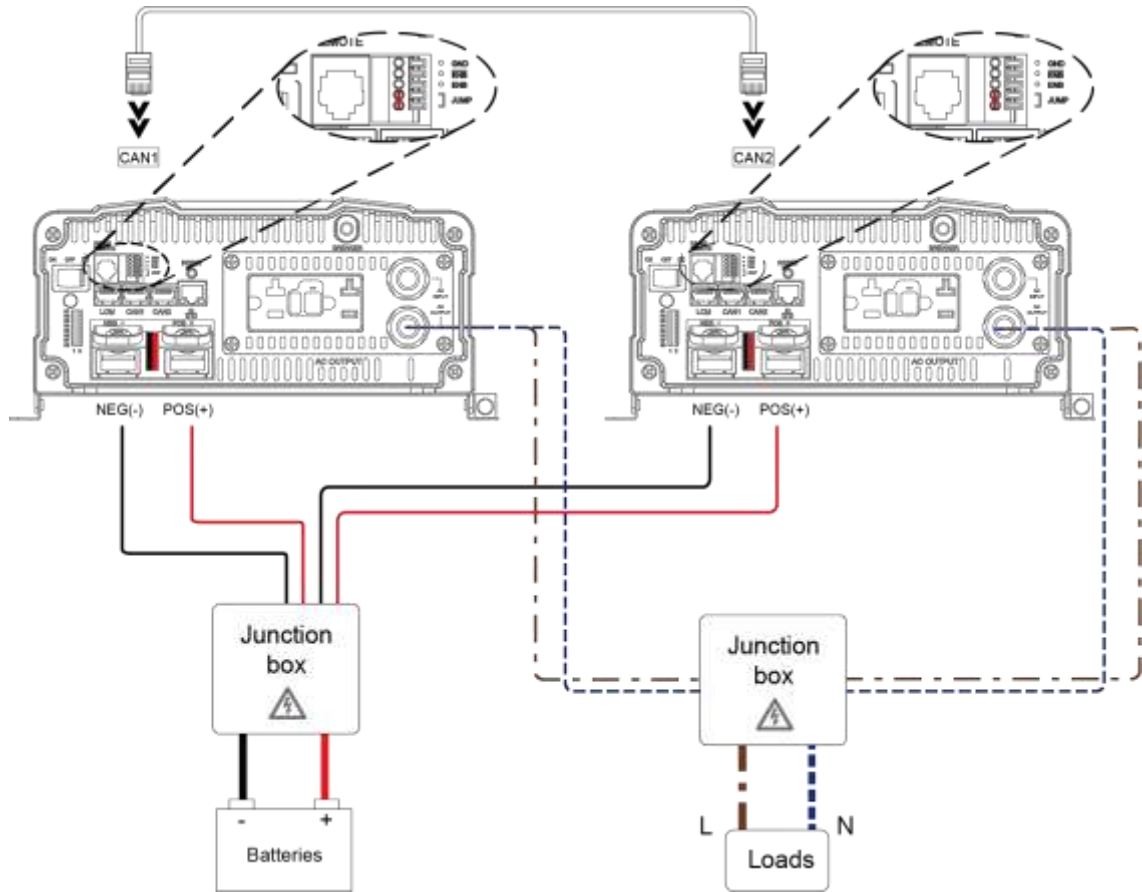


Figure 29. Connection Diagram_2

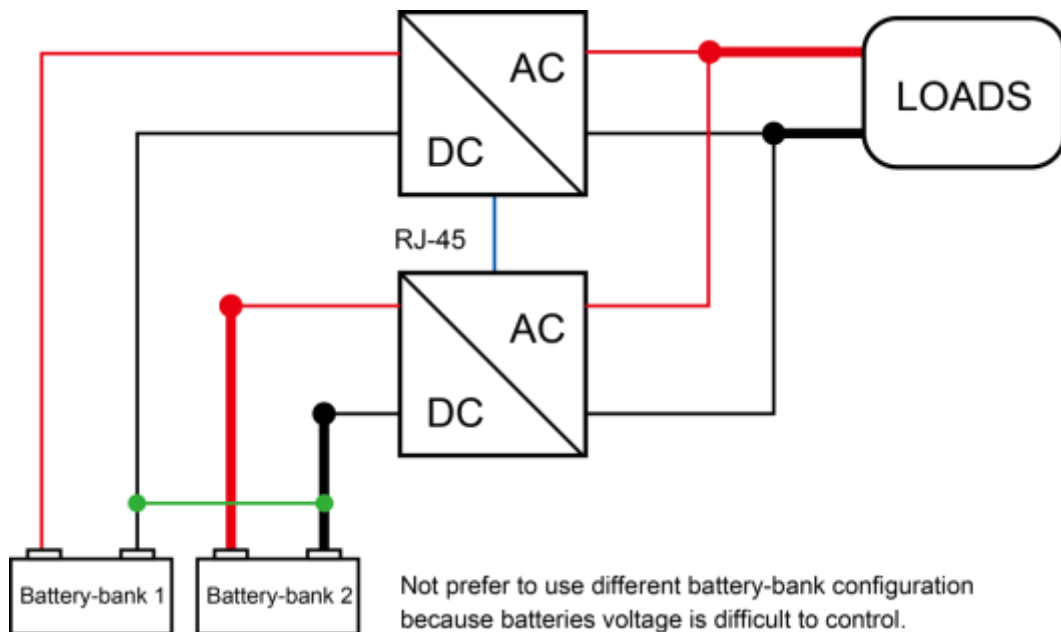


Figure 30. Connection Diagram_3

5-4. AC Wiring Diagram

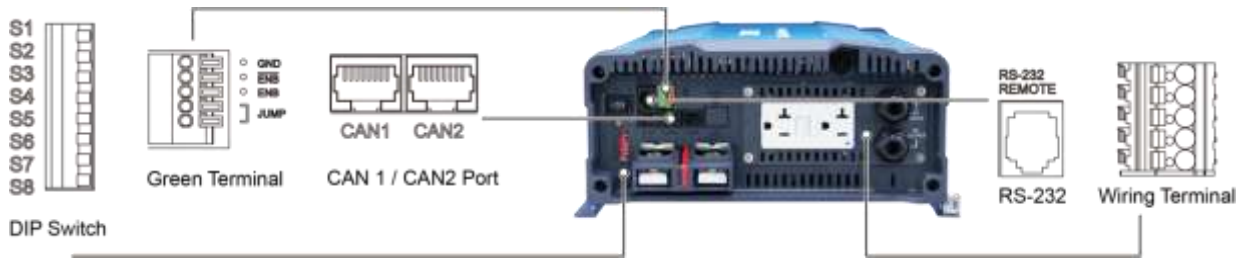


Figure 31. SD series front panel introduction

【1Φ2W — Wiring Diagram】

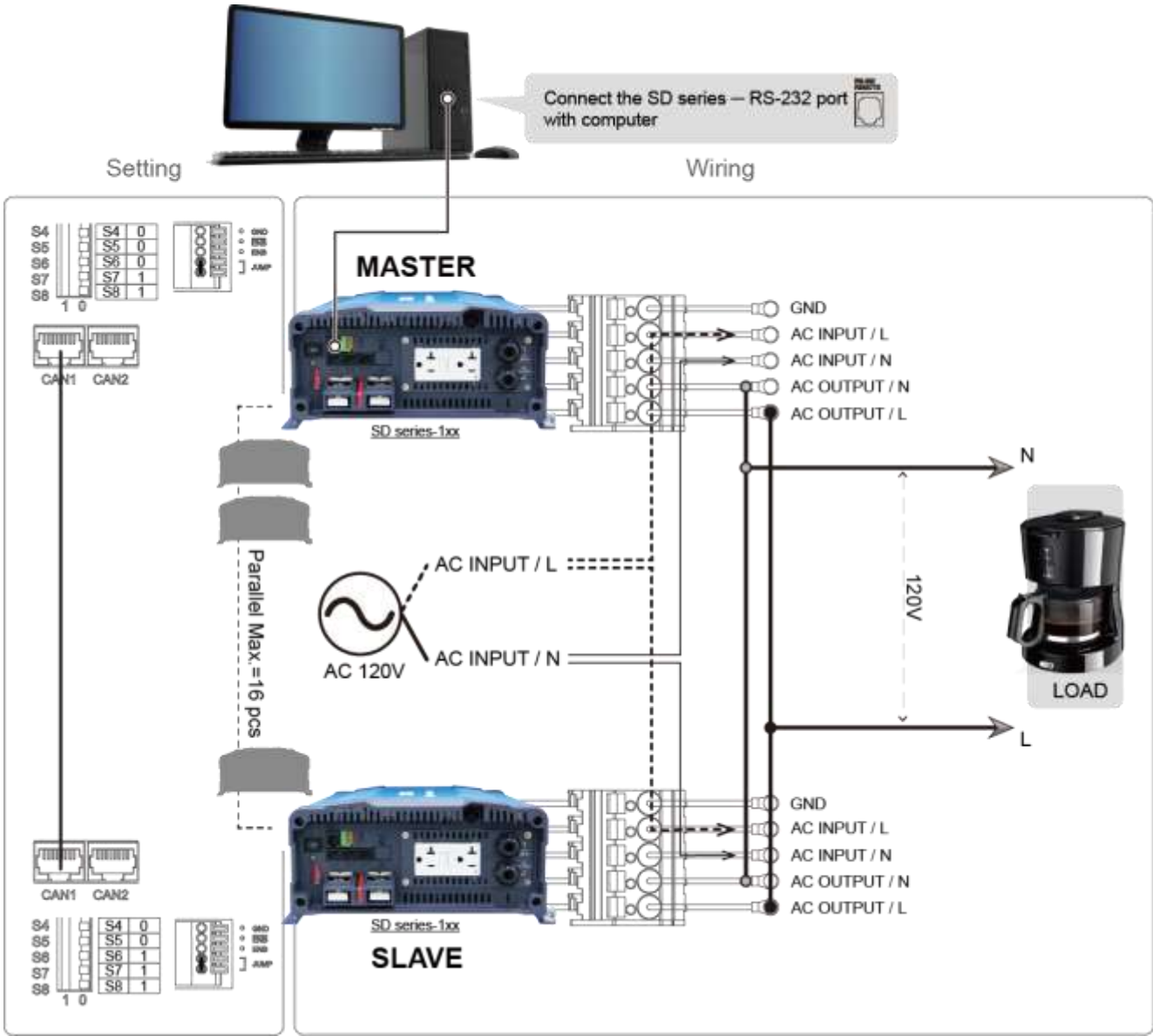


Figure 32. 1Φ2W parallel AC wiring diagram

【1Φ2W Auto Master — Wiring Diagram】

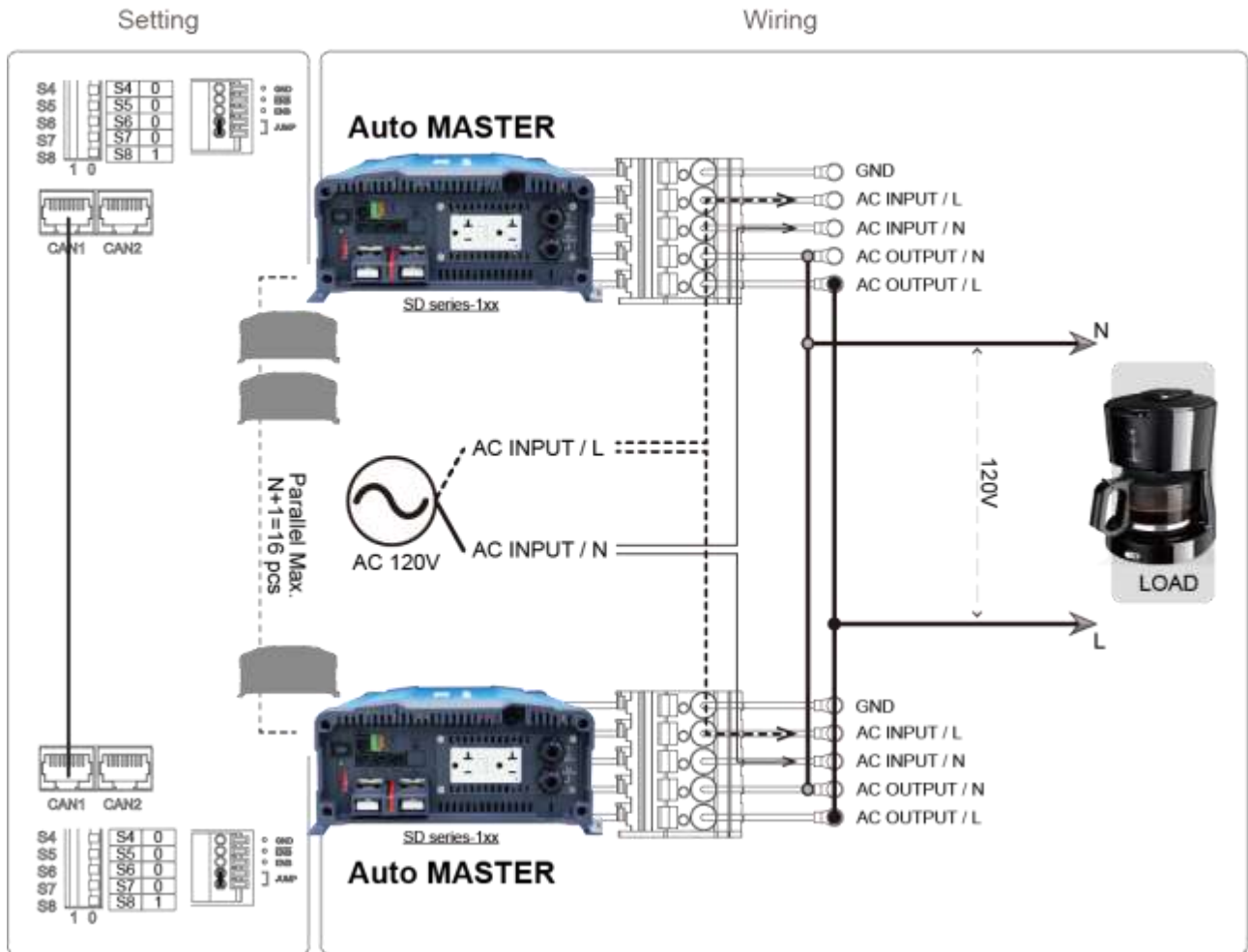


Figure 33. 1Φ2W parallel AC wiring diagram — auto master



Note

Auto master can be operated under 1Φ2W mode.

Under 1Φ2W auto master mode, please set up the inverter by Ethernet or Remote control CR-10.



Note

1Φ2W system parallel Max. N+1=5



Note

If you parallel N units, the first (unit 1) and the last unit (unit N) must set parallel jumper in ON position.

【1Φ3W — Wiring Diagram】

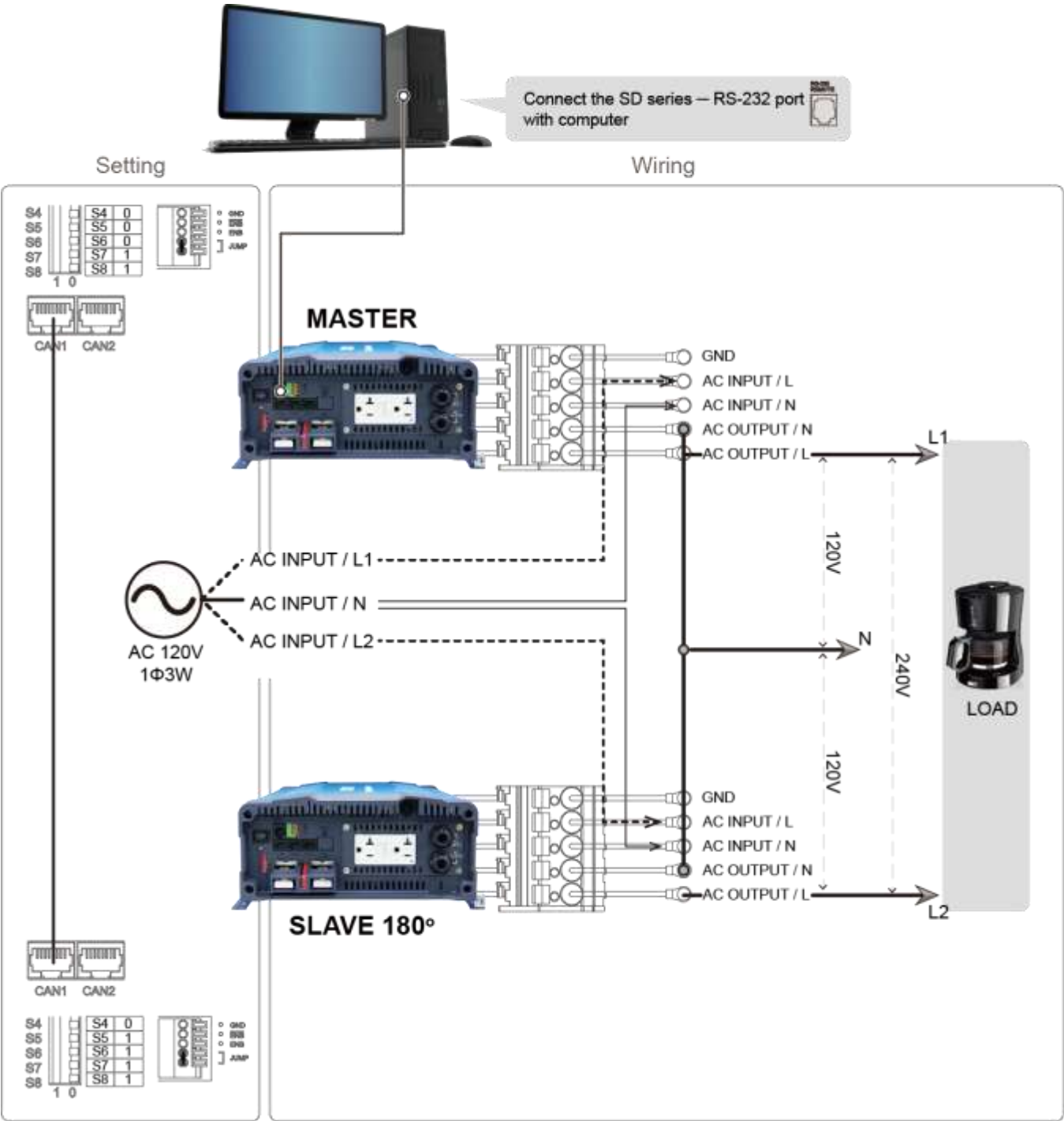


Figure 34. 1Φ3W parallel AC wiring diagram

【3Φ4W — Wiring Diagram】

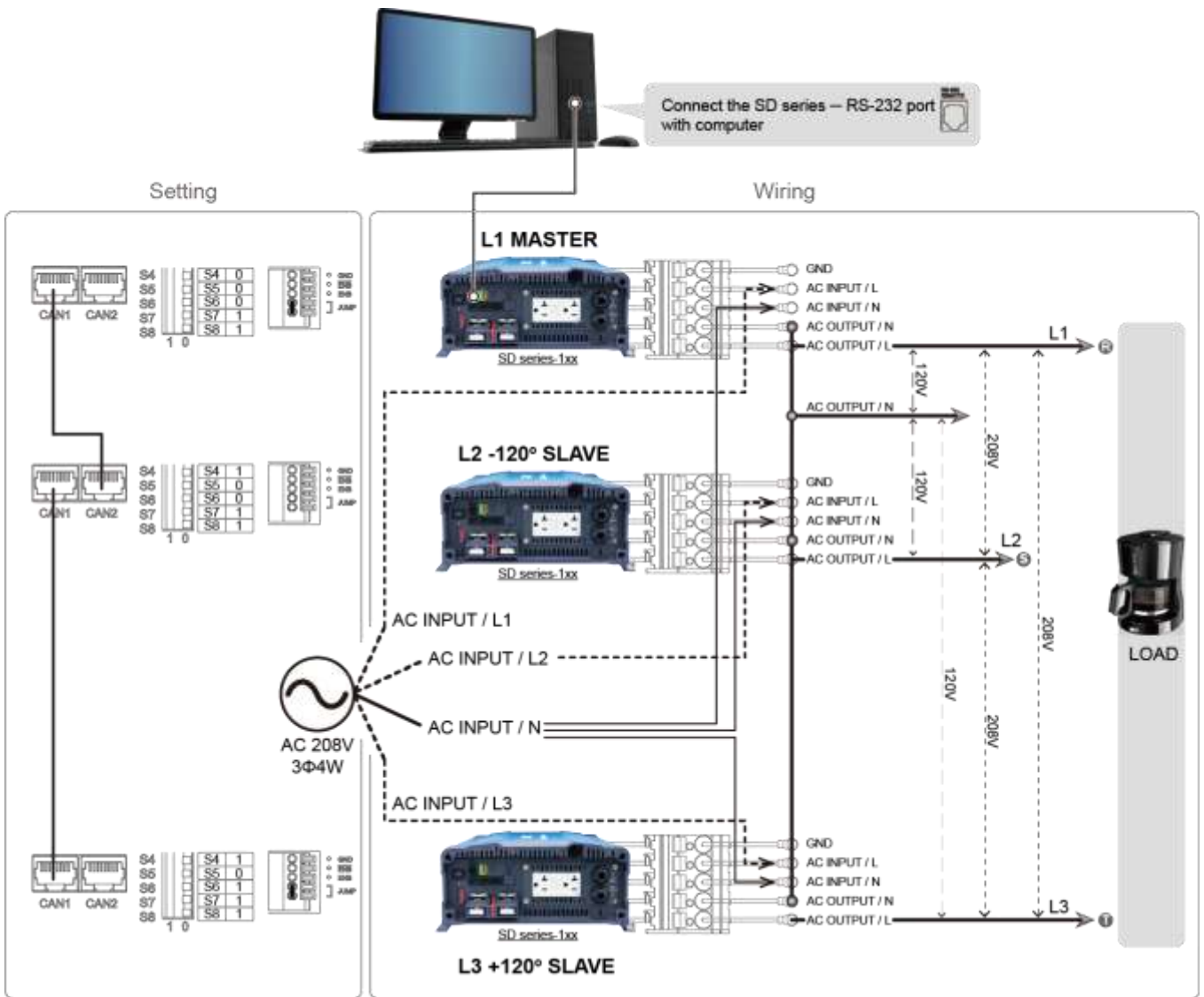


Figure 35. 3Φ4W parallel AC wiring diagram

Model	Connection / Output VAC	100V	110V	115V	120V	200V	220V	230V	240V
SD Series	L1-to-L2	173	191	199	208	346	381	398	416
	L2-to-L3	173	191	199	208	346	381	398	416
	L3-to-L1	173	191	199	208	346	381	398	416
	L1-to-N	100	110	115	120	200	220	230	240
	L2-to-N	100	110	115	120	200	220	230	240
	L3-to-N	100	110	115	120	200	220	230	240

Table 25. Connection & output VAC under 3Φ4W

5-5. Remote command for the parallel connection

There are two ways for parallel connection remote setting : 1. RS-232, 2. CAN-Bus. The RS-232 communication protocol not support broadcast function. In case of the remote control use the RS-232 port, please follow the setting steps for the SD setting.

RS-232 remote communication setting :

1. Select one SD to be the Master and follow the setting :

Scenario	S1	S2	S3	S4	S5	S6	S7	S8
Master	X	X	X	0	0	0	1	X

Table 26. RS-232 remote communication setting

2. Please make sure the RS-232 communication cable connect to Master unit.



WARNING!

There is only one master in the system.

5-6. Remove Parallel Connection

1. Turn off the power.
2. Remove the RJ-45 cable (parallel connection signal cable).
3. Remove the AC parallel connection cable.
4. Remove the DC parallel connection cable.

6.RS-232 Command

6-1. RS-232 command introduction

6-1-1. RS-232 command :

Command format :

This unit uses high-level language commands with a CR (0DH) and LF (0AH) as the end of the command.

The system would interpret and execute the command only after these two characters are received. After the unit execute the command, it would send a response string to the computer. The response string is as follows :

= > CR LF : Command executed successfully ? > CR LF : Command error, not accepted ! > CR LF : Command correct but execution error (e.g. parameters out of range).

If the command needs any information from the unit, the unit would send the information back to the computer (with CR and LF) and then send the response string to the computer.

6-1-2. RS-232 Command format :

This unit supports the following command format.

There should always be a CR (0DH) and a LF (0AH) appended to the command while sending commands to this unit.

Command	Function	Command	Function
POWER 1	To enable power output	VINV?	Show voltage of SD
POWER 0	To stop power output	IINV?	Show current of SD
*RST	Recovery default setting	VGRID?	Show voltage of grid
FRQ?	Show frequency value	VBAT?	Show voltage of battery
PINV?	Show power output		

Table 27. RS-232 command table

Note :

Under parallel connection (more than 1 unit), RS232 command will only take effect when RS232 cable is connected to Master unit. The connection please refer to Figure25.

6-1-3. Command for accessing Setup Menus and adjusting values :

<Function Code>	Setting Menu	<Function Code>	Setting Menu
FUNC0	OVP Setting	FUNC10	Shut-down retry
FUNC1	OVP Recovery	FUNC11	Saving Level
FUNC2	UVP Setting	FUNC12	Saving Interval
FUNC3	UVP Recovery	FUNC13	Bypass Relay
FUNC4	UV Alarm	FUNC14	LCD Contrast
FUNC5	O/P Voltage	FUNC15	LCD Auto-off
FUNC6	RS-232 Baud rate	FUNC16	Buzzer Setting
FUNC7	O/P Frequency	FUNC17	Alert Setting
FUNC8	Sync Frequency	FUNC18	Language
FUNC9	Overload Alarm		

Table 28. Command for accessing setup menus and adjusting values

1. Select the Setup Menus with the help of Function Codes :
 Format : FUNC <Function Code>
 After “Enter”, the Setup Menu for the Function Code will be called.
 The <Function Code>= 0~18
2. Command to query the Functions No :
 Format : FUNC?
 After “Enter”, the unit’s “Function Code” appears on the PC screen.
3. Command to query the set value of the Function :
 Format : SETT?
 After “Enter”, the existing set value of the function appears on the PC screen.
4. Command to set or adjust the value of the Function :
 Format : SETT <value>
 After “Enter”, the new value of the Function is set Choose the <value> of the function.

6-1-4. Setting interface

1. OVP Setting <**FUNC0**> : Set the Over Voltage Protection (OVP) and shutdown.
 Default = 16 VDC @ 12V Model, 32 VDC @ 24V Model, 64 VDC @ 48V Model

Model	Setting value range
12 V	15 VDC ~ 16 VDC
24 V	30 VDC ~ 32 VDC
48 V	60 VDC ~ 64 VDC

Table 29. OVP Setting <FUNC0>

2. OVP Recovery **<FUNC1>** : When the DC input voltage is higher than the OVP setting, the SD-series shuts-down; once the input voltage falls below the set OVP value, the SD-series will automatically restart.

Default = 15 VDC @ 12V Model, 30 VDC @ 24V Model, 60 VDC @ 48V Model

Model	Setting value range
12 V	13 VDC ~ 15 VDC
24 V	26 VDC ~ 30 VDC
48 V	52 VDC ~ 60 VDC

Table 30. OVP Recovery <FUNC1>

3. UVP Setting **<FUNC2>** : Setting Under Voltage Protection (UVP) and Shut-down on the inverter operation.

Default = 10 VDC @ 12V Model, 20 VDC @ 24V Model, 40VDC @ 48V Model

Model	Setting value range
12 V	10.0 VDC ~ 12.5 VDC
24 V	20.0 VDC ~ 25.0 VDC
48 V	40.0 VDC ~ 50.0 VDC

Table 31. UVP Setting <FUNC2>

4. UVP Recovery **<FUNC3>** : When the DC input voltage is below the set UVP value, the SD-series shuts-down; Once the input voltage rises above the set UVP value, the SD-series will automatically restart.

Default = 12.5VDC @ 12V Model, 25 VDC @ 24V Model, 50VDC @ 48V Model

Model	Setting value range
12 V	11.5 VDC ~ 13.5 VDC
24 V	23.0 VDC ~ 27.0 VDC
48 V	46.0 VDC ~ 54.0 VDC

Table 32. UVP Recovery <FUNC3>

5. UV Alarm **<FUNC4>** : Setting Under Voltage (UV) alarm. When the input voltage is lower than the set value, the SD-series will sound a “beep” to remind you that the unit is going to shut-down.

Default = 10.5 VDC @ 12 V Model, 21 VDC @ 24 V Model, 42 VDC @ 48 V Model

Model	Setting value range
12 V	10.5 VDC ~ 13.0 VDC
24 V	21.0 VDC ~ 26.0 VDC
48 V	42.0 VDC ~ 52.0 VDC

Table 33. UV Alarm <FUNC4>

**Note**

The value of the voltage set for the “UV Alarm” should be equal to or higher than the value set for “UVP” or else the unit will shut-down without any audible warning.

6. O/P Voltage **<FUNC5>** : Setting the SD-series output voltage on the inverter operation.

Default = 110 VAC @ 110 V Model, 230 VAC @ 230 V Model

Model	Setting value range
110 V	97 VAC ~ 123 VAC
230 V	194 VAC ~ 246 VAC

Table 34. O/P Voltage <FUNC5>

7. RS-232 Baud rate **<FUNC6>** :

Default setting : 4800

Setting Menu	SETT<value>	
RS-232 Baud rate	0	1200
	1	2400
	2	4800
	3	9600
	4	19200

Table 35. RS-232 Baud rate <FUNC6>

8. O/P Frequency **<FUNC7>** : Setting the SD-series output frequency on the inverter operation.

Default = 60 Hz @ 110 V Model, 50 Hz @ 230 V Model.

Model	Setting value range
110 V	47 Hz ~ 63 Hz
230 V	47 Hz ~ 63 Hz

Table 36. O/P Frequency <FUNC7>

9. Sync Frequency **<FUNC8>** : If a generator is distorted. The output waveform (too low frequency) is used as AC source, the allowed frequency window for the incoming AC power can be enlarged.

Example1 :

AC input = 230 VAC / 50Hz, User setting Value= 7Hz

When the SD-series “Output frequency” is within The Range of 43 Hz~57 Hz, the internal transfer relay will close. When the output frequency is less than 43 Hz or more than 57 Hz, the internal transfer relay will still open.

Example2 :

When user setting value= Disable, the SD-series “Output frequency” is within the range of 47 Hz~63 Hz, the internal transfer relay will close.

Default= 7Hz

Model	Setting value range
110 V	0 ~ 7 Hz
230 V	0 ~ 7 Hz

Table 37. Sync Frequency <FUNC8>

10. Overload Alarm <FUNC9> : Set the overload alarm. When the SD-series output power is higher than the set value, the SD-series will sound a “beep” to remind you that the unit is going to shut-down. At the same time, the internal Dry Contact Relay will open/close.

Default = 104% Setting range = 50%~110%

11. Shut-down retry <FUNC10> : When SD-series is shut-down under OVP, UVP, Overload or short circuit conditions, the inverter will automatically try to restart according to below :

Protection type	Retry default	Setting value Range
• OLP	5 times after protection	0~15 times
• Short-circuit protection		
• OVP	Auto-recovery continuously	N/A
• UVP		

Table 38. Shut-down retry <FUNC10>

12. Saving Level <FUNC11> : Setting the SD-series to power saving to reduce consumption from the batteries.

Default = 0 Setting range = 3 ~ 7

Setting Value	Status
0	Default
3	4%
4	5%
5	6%
6	7%
7	8%

Table 39. Saving Level <FUNC11>

13. Saving Interval <FUNC12> : When SD-series inverter enters power saving mode, it will detect AC Load periodically.

Default = 2.0 Seconds Setting range = 1.0S ~ 2.0S

If the AC Load is 3 times higher than Saving Level, inverter will recover and output normally to AC Load.

14. Bypass Relay <FUNC13> : The setup is provided in one of the following two ways. On-line Mode or Off-line Mode (Exacting, Normal, Haphazard). Default = Normal (Off line).

Mode	SETT <value>	Transfer Relay Switching Feature
Haphazard	0	a. The transfer relay will switch "ON" Conformance to voltage and frequency b. The transfer relay will switch "OFF" Conformance to voltage or frequency
Normal	1	a. The transfer relay will switch "ON" Conformance to voltage , frequency and phase b. The transfer relay will switch "OFF" Conformance to voltage or frequency or phase
Exacting	2	a. The transfer relay will switch "ON" Conformance to voltage , frequency and phase b. The transfer relay will switch "OFF" Conformance to voltage , frequency and phase
On-line	3	a. The transfer relay will switch "ON" Conformance to voltage , frequency , phase and inverter mode protection b. The transfer relay will switch "OFF" Conformance to voltage or frequency or phase or inverter mode protection recovery

Table 40. Bypass Relay <FUNC13>

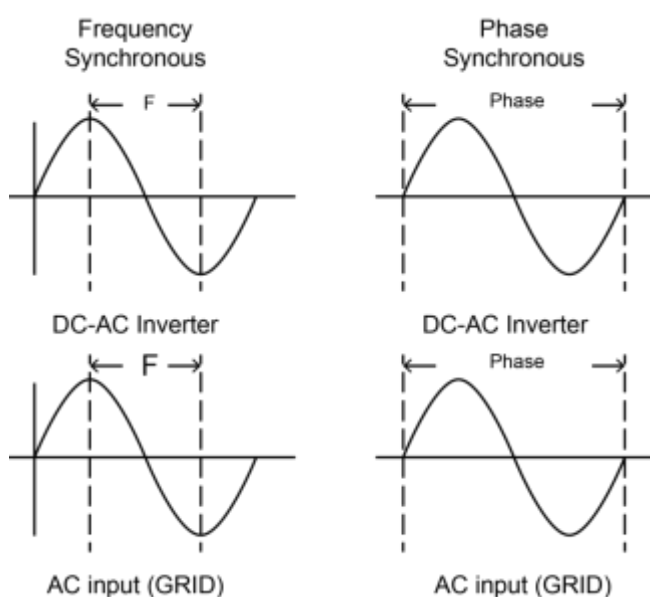


Figure 36. Frequency and phase synchronous

SD Series Transfer-Time Table		
Mode / Transfer Switch	ATS	STS
Haphazard	Inverter to utility AC: 8~10ms.; Utility AC to inverter: 16~50ms.	Frequency is synchronized: < 4ms.; Frequency is not synchronized: Inverter to utility AC: < 4ms.; Utility AC to inverter: 16~50ms.
Normal	Inverter to utility AC: 8~10ms.; Utility AC to inverter: 16~25ms.	< 4ms
Exacting	Inverter to utility AC: 8~10ms.; Utility AC to inverter: 16~50ms.	Inverter to utility AC: < 4ms.; Utility AC to inverter: 16~50ms.
Online	Inverter to utility AC: 8~10ms.; Utility AC to inverter: 16~25ms.	< 4ms

Table 41. SD series transfer time

15. LCD contrast <FUNC14> : Sets the LCD screen contrast.

Default = 50%

Setting range = 0% ~ 100%

Setting Menu	Status <value>
LCD Contrast	0 ~ 100

Table 42. LCD contrast <FUNC14>

16. LCD Auto-off <FUNC15> : Sets the LCD screen backlight auto off timer.

Default = 120 seconds

Setting range = 0 ~ 120 seconds.

Setting Menu	Status <value>
LCD Auto-off	0 ~ 120

Table 43. LCD Auto-off <FUNC15>

17. Buzzer setting <FUNC16> : Set the LCD remote control for the buzzer sound

Default = MSG, Alert, SHDN

Setting range = 0~7

Setting Menu	SETT <value>	Buzzer (Beep sound)
Buzzer Setting	0	Disable
	1	SHDN
	2	Alert
	3	Alert , SHDN
	4	MSG
	5	MSG , SHDN
	6	MSG , Alert
	7	MSG , Alert , SHDN

Table 44. Buzzer setting <FUNC16>

18. Alert Setting <FUNC17> : When alert occurs, the internal dry contact relay will open/close.

Default = Alert, SHDN

Setting range = 0~3

Setting Menu	SETT (RS-232)	Alert (LCD)
Buzzer Setting	0	Disable
	1	SHDN
	2	Alert
	3	Alert , SHDN

Table 45. Alert Setting <FUNC17>

19. Language <FUNC18> : The SD-series have different languages available and are selectable.

Default = English

Setting : English / Italian / Spanish / French / German

Model	Setting value
English	0
Italian	1
Spanish	2
French	3
German	4

Table 46. Language <FUNC18>

7. Troubleshooting

Problems and Symptoms	Possible Cause	Solutions
A. Power status red light is blinking fast.	Over input voltage. (OVP)	Check input voltage. Reduce input voltage.
B. Power status red light is Blinking slowly.	Low input voltage. (UVP)	Recharge battery. Check connections and cables.
C. Power status red light is blinking Intermittently.	Thermal shut-down. (OTP)	Improve ventilation. Make sure ventilation, shafts of the inverter are not obstructed. Lower ambient temperature.
D. Power status is solid red	Short circuit. Wiring error. Over Loading (OLP)	Check AC wiring for short circuit. Reduce load.

Table 47. SD series Troubleshooting

8. Warranty

We guarantee this product against defects in materials and workmanship for a period of 24 months from the date of purchase. Please contact with your local COTEK authorized distributor for RMA (Return material Authorization) service. Please note that COTEK will ensure our products are operational before delivery and the warranty service is offered to the unit which has defect caused under normal use, in the judgment of COTEK's technician. The warranty is null and void under the following circumstances :

- (a) If the unit has been damaged through abuse, misuse, negligence (such as bumping, wetting), fault voltage supply, air/water pollution accidents and natural calamities.
- (b) If the serial number has been altered, effaced or removed.

Dispositions légales

Copyrights 2016 COTEK Electronic IND. CO. tous droits réservés.

Aucune partie de ce document ne peut être reproduite, quelle qu'en soit la manière et quel qu'en soit le but, sans autorisation préalable écrite de COTEK Electronic IND. CO. Pour obtenir l'autorisation de publier ce manuel, adressez-vous directement à COTEK Electronic IND. CO., LTD. Pour l'ensemble des activités COTEK, ni COTEK Electronic IND. CO., LTD. ni ses distributeurs ou revendeurs ne sauraient être tenus responsables, d'aucune manière, de tout dommage direct, indirect ou accessoire. Les caractéristiques peuvent être modifiées sans notification préalable. Tout a été mis en oeuvre pour que ce document soit complet, précis et à jour. COTEK Electronic IND. CO., LTD. se réserve le droit d'apporter des modifications sans notification et ne saurait être tenu responsable de tout dommage direct, indirect ou accessoire causé par l'utilisation de ce contenu, y compris mais non limité à des omissions, des coquilles, des erreurs de calcul ou de description. Toutes les marques sont protégées même sans indication spécifique. L'absence de logo ne signifie pas que le produit ou la marque ne sont pas protégés.

Table des matières

1. CONSIGNES DE SÉCURITÉ	50
1-1. Consignes de sécurité	50
1-2. Précautions avec les batteries	50
1-3. Installation	51
2. CARACTÉRISTIQUES FONCTIONNELLES	52
2-1. Système	52
2-2. Applications	52
2-3. Performances électriques	53
2-4. Schémas d'encombrement	60
3. INTRODUCTION	61
3-1. Interrupteur ON / OFF / REMOTE	62
3-2. Témoins lumineux à DEL	62
3-3. Interrupteurs DIP	63
3-4. Négatif (-) entrée courant continu	65
3-5. Positif (+) entrée courant continu	65
3-6. Masse (chassis ground)	65
3-7. Sortie courant alternatif	65
3-8. By-pass entrée courant alternatif	65
3-9. Disjoncteur entrée courant alternatif	65
3-10. Socle sortie CA	65
3-11. Bouton de réinitialisation	65
3-12. Ports CAN1 et CAN2	66
3-13. Port LCM	67
3-14. Bornier vert	67
3-15. Port de communication RS-232	68
3-16. Ventilateur	69

3-17. Protections	69
-------------------	----

4. CONNEXIONS COURANT CONTINU (ALIMENTATION DE L'ONDULEUR) 70

4-1. Entrées courant continu	71
------------------------------	----

4-2. Connexion fixe (câblage)	72
-------------------------------	----

5. MODE PARALLÈLE 77

5-1. Préparation	77
------------------	----

5-2. Applications Industrielles	78
---------------------------------	----

5-3. Câblage	80
--------------	----

5-4. Connexions courant alternatif	82
------------------------------------	----

5-5. Commande déportée des onduleurs montés en parallèle	86
--	----

5-6. Déposer les connexions de montage en parallèle	86
---	----

6. PROTOCOLE RS-232 87

6-1. Introduction au protocole RS-232	87
---------------------------------------	----

7. RECHERCHE DE PANNES 95

8. GARANTIE 95

1. Consignes de sécurité



Attention !

Prendre le temps de lire les consignes de sécurité avant d'utiliser l'onduleur.

1-1. Consignes de sécurité

- 1-1-1. Ne pas exposer l'onduleur à la pluie, à la neige, aux projections d'eau ou à la poussière. Pour réduire les risques électriques (incendie) ne pas couvrir ni obstruer les grilles de ventilation. Ne pas installer l'onduleur dans un compartiment non aéré au risque de provoquer une surchauffe.
- 1-1-2. Pour éviter les risques d'incendie et de chocs électriques, s'assurer que les câbles sont en bon état et d'une section suffisante. Ne pas utiliser l'onduleur avec des câbles endommagés ou de piètre qualité.
- 1-1-3. Certains composants de l'onduleur peuvent provoquer des arcs électriques ou des étincelles. Pour éviter les risques d'incendie ou d'explosion, l'onduleur ne doit pas être installé à proximité des batteries ou de matériaux inflammables ni dans un local qui requiert une protection anti-déflagration. Cette précaution s'étend aux locaux des machines à essence, des réservoirs à carburant ou de leurs conduites.
- 1-1-4. En fonction de l'application, l'utilisateur peut être amené à monter une protection (fusible ou disjoncteur) sur la sortie CA de l'onduleur. Les câbles et connecteurs ne sont pas fournis pour ce branchement.
- 1-1-5. Selon l'application, une protection différentielle (20 A) supplémentaire sera nécessaire.

1-2. Précautions avec les batteries

- 1-2-1. En cas de contact avec de l'acide (peau ou vêtements) laver immédiatement à l'eau et au savon. En cas de contact avec les yeux, rincer immédiatement l'œil à l'eau courante froide pendant au moins 20 minutes et consulter un médecin sans tarder.
- 1-2-2. Ne JAMAIS fumer ni approcher une flamme ou une source d'étincelles à proximité d'une batterie ou d'un moteur.
- 1-2-3. Ne pas poser ni laisser tomber un outil métallique sur la batterie. L'étincelle résultante ou le court-circuit sur la batterie ou toute autre partie électrique pourrait provoquer une explosion.
- 1-2-4. Ôter vos effets personnels métalliques tels que bagues, bracelets, colliers et montres lorsque vous travaillez avec une batterie plomb-acide. En cas de court-circuit, ce type de batterie produit un courant suffisamment fort pour souder une bague ou tout équivalent et causer une brûlure sévère.

1-3. Installation

Sec — Ne pas exposer l'onduleur au ruissellement ou aux projections d'eau.

Frais — La température ambiante de l'air doit être comprise entre 0°C et 33°C. Le plus frais étant préférable.

Sûr — Ne pas installer l'onduleur à proximité des batteries ou dans un compartiment où peuvent se produire des émanations inflammables tel que le compartiment de stockage des combustibles ou le compartiment moteur.

Aéré — Prévoir un dégagement de 2,5 cm minimum autour de l'onduleur pour que l'air puisse circuler. S'assurer que les grilles de ventilation à l'avant et à l'arrière de l'appareil ne soient pas obstruées.

Propre — L'atmosphère autour de l'onduleur doit être propre, c'est-à-dire exempte de poussières, particules de bois et autres résidus risquant d'être aspirés lorsque le ventilateur de refroidissement fonctionne.

Pas trop éloigné des batteries — Éviter des longueurs de câbles excessives mais ne pas installer l'onduleur dans le même compartiment que les batteries. Respecter les longueurs et sections de câbles recommandées (voir chapitre 4 Connexions courant continu). Ne pas non plus exposer l'onduleur aux émanations gazeuses produites par les batteries. Celles-ci étant très corrosives, elles finiraient par l'endommager.



Attention !

Risque de choc électrique. Avant de continuer, s'assurer que l'onduleur n'est pas raccordé à une batterie ou autre source électrique. Ne pas raccorder les bornes de sortie à une source courant alternatif.

2. Caractéristiques fonctionnelles

2-1. Système

Les onduleurs de la série SD font partie de la dernière génération d'onduleurs acceptant un montage en parallèle (redondance N+1), compatible avec une alimentation triphasée. Ils sont équipés d'un relais de transfert et conviennent aux véhicules de loisirs, bateaux de plaisance et équipements de secours.

Caractéristiques

- Conception permettant un montage en parallèle.
- Permet d'obtenir une alimentation 1 phase 3 fils / 3 phases 4 fils, pour de multiples applications industrielles.
- Panneau de commande déporté intuitif.
- Fonctionnement automatique maître/esclave pour pallier la défaillance éventuelle d'un appareil et optimiser la fiabilité de l'installation.
- Relais de transfert intégré (ATS) et protection par disjoncteur sortie CA.
- Relais de transfert (STS) en option, temps de transfert inférieur à 4 ms.
- Port de communication RS-232.
- Entrée et sortie totalement isolées.
- Tension de sortie et mode économie d'énergie sélectionnables par interrupteurs DIP et par panneau de commande déporté (CR-10).
- Protections en entrée : inversion de polarités (fusible), sous-tension, surtension.
- Protections en sortie : court-circuit, surcharge, surchauffe, surtension.

Pour obtenir des performances optimales, les onduleurs doivent être correctement installés et utilisés. Prendre le temps de lire ce manuel en entier avant d'installer ou d'utiliser les onduleurs.

2-2. Applications

- 2-2-1. Outillage électrique – scies circulaires, perceuses, rectifieuses, ponceuses, taille-haies et taille-bordures, compresseurs à air.
- 2-2-2. Équipements de bureau – ordinateurs, imprimantes, moniteurs, fax, scanners.
- 2-2-3. Électro-ménager – aspirateurs, ventilateurs, lampes fluorescentes et à incandescence, rasoirs, machines à coudre.
- 2-2-4. Équipements de cuisine – fours à micro-ondes, réfrigérateurs et congélateurs, cafetières, mixeurs, machines à glaçons, grille-pain.
- 2-2-5. Équipements industriels – lampes métal halide ou sodium haute pression.
- 2-2-6. Équipements électroniques de loisirs – téléviseurs, magnétoscopes, consoles de jeux vidéo, chaînes stéréo, instruments de musique, équipements pour satellites.
- 2-2-7. Véhicules, yachts, réseaux auto producteurs à base de panneaux solaires.

2-3. Performances électriques

2-3-1. Caractéristiques SD1500

Modèle	SD1500-112	SD1500-124	SD1500-148	SD1500-212	SD1500-224	SD1500-248
Sortie						
Puissance Nominale	1500 W (déclassement au-delà de 40°C, voir courbes de déclassement)					
Puissance de Sortie Maxi (3 s)	1800 W					
Puissance de Sortie en Pointe (<0,2 s)	2400 W					
Signal de Sortie	Onde Sinusoïdale Pure					
Rendement (pleine charge)	88 %	89 %	90 %	88 %	88 %	90 %
Tension de Sortie (@ tension CC nominale)	100 / 110 / 115 / 120 V CA \pm 3 %			200 / 220 / 230 / 240 V CA \pm 3 %		
Fréquence	50 / 60 Hz \pm 0,1 %					
Distorsion Harmonique (DHT)	< 3 % si : Supérieur à 1,15 fois la tension CC nominale, 110 V / charge linéaire			< 3 % si : Supérieur à 1,15 fois la tension CC nominale, 230 V / charge linéaire		
Entrée Courant Continu						
Tension Courant Continu	12 V CC	24 V CC	48 V CC	12 V CC	24 V CC	48 V CC
Plage de Tensions CC	10,0~16,0 V CC	20,0~32,0 V CC	40,0~64,0 V CC	10,0~16,0 V CC	20,0~32,0 V CC	40,0~64,0 V CC
Consommation en mode Économie d'énergie	0,9 A	0,5 A	0,3 A	1,1 A	0,7A	0,4 A
Consommation à Vide	< 2,4 A	< 1,2 A	< 0,6 A	< 3,3 A	< 1,6 A	< 0,8 A
Calibre Fusible	40 A x 6	20 A x 6	15 A x 4	40 A x 6	20 A x 6	15 A x 4
Entrée Courant Alternatif						
Plage de Tensions CA	100 / 110 / 115 / 120 V CA \pm 12,5 %			200 / 220 / 230 / 240 V CA \pm 12,5%		
Fréquence, commutable par sélecteur (DIP)	50 / 60 Hz					
Synchronisation de fréquence	47~57 / 53~63 Hz					
Calibre disjoncteur	20 A			10 A		
Relais de transfert ^①	ATS de série : relais de transfert automatique Onduleur-Consommateur CA : 8~10ms; Consommateur CA-onduleur : 16~50ms Module STS en option : monophasé < 4 ms; N+1 & 1 phase 3 fils & 3 phases 4 fils < 6 ms					
Protections						
Alarme Batterie Basse \pm 3 %	10,5 V CC	21,0 V CC	42,0 V CC	10,5 V CC	21,0 V CC	42,0 V CC
Coupe Batterie Basse \pm 3 %	10,0 V CC	20,0 V CC	40,0 V CC	10,0 V CC	20,0 V CC	40,0 V CC
Redémarrage Batterie Basse \pm 3 %	12,5 V CC	25,0 V CC	50,0 V CC	12,5 V CC	25,0 V CC	50,0 V CC
Alarme Batterie Haute \pm 3 %	15,5 V CC	31,0 V CC	62,0 V CC	15,5 V CC	31,0 V CC	62,0 V CC
Coupe Batterie Haute \pm 3 %	16,0 V CC	32,0 V CC	64,0 V CC	16,0 V CC	32,0 V CC	64,0 V CC
Redémarrage Batterie Haute \pm 3 %	15,0 V CC	30,0 V CC	60,0 V CC	15,0 V CC	30,0 V CC	60,0 V CC
Protections en Entrée	Inversion de polarités (fusible), sous-tension, surtension, sur-intensité CA (disjoncteur)					
Protections en Sortie	Court-circuit, surcharge, surchauffe, surtension					

Modèle	SD1500-112	SD1500-124	SD1500-148	SD1500-212	SD1500-224	SD1500-248
Environnement						
Plage de Températures, Fonctionnement	-20 à +60 °C, voir courbes de déclassement du SD2500					
Plage de Températures, Stockage	-40 à +70 °C					
Humidité Relative	90 % maximum, sans condensation					
Normes de Sécurité et Compatibilité Électromagnétique						
Sécurité	UL 458 (connexion par câbles uniquement)	----		EN 62368-1		
CEM	FCC Class B			EN 55032, EN 55024		
Marquage CE	----			CISPR 25; ISO 7637-2		
Panneaux de Contrôle et Indicateurs						
Indicateur DEL	Défaut, tension d'entrée					
Panneaux déportés compatibles	CR-6, CR-8 et CR-10					
Autres						
Dimensions (LxHxP)	283x128x351 mm / 11.14x5.04x18.82 in.					
Poids	5.5 kg					
Refroidissement	Ventilateur asservi à la charge et à la température					
Communication	RS-232 (connecteur RJ-11), Ethernet en option					

**Note**

Ces caractéristiques peuvent être modifiées sans notification préalable. Tests effectués à la puissance nominale de l'appareil.

① Merci de vous reporter page 59, Tableau « Temps de commutation ».

2-3-2. Caractéristiques SD2500

Modèle	SD2500-112	SD2500-124	SD2500-148	SD2500-212	SD2500-224	SD2500-248
Sortie						
Puissance Nominale	2500 W (déclassement au-delà de 40°C, voir courbes de déclassement)					
Puissance de Sortie Maxi (3 s)	3000 W					
Puissance de Sortie en Pointe (<0,2 s)	4000 W					
Signal de Sortie	Onde Sinusoïdale Pure					
Rendement (pleine charge)	88 %	89 %	90 %	88 %	88 %	90 %
Tension de Sortie (@ tension CC nominale)	100 / 110 / 115 / 120 V CA \pm 3 %			200 / 220 / 230 / 240 V CA \pm 3 %		
Fréquence	50 / 60 Hz \pm 0,1 %					
Distorsion Harmonique (DHT)	< 3 % si : Supérieur à 1,15 fois la tension CC nominale, 110 V / charge linéaire			< 3 % si : Supérieur à 1,15 fois la tension CC nominale, 230 V / charge linéaire		
Entrée Courant Continu						
Tension Courant Continu	12 V CC	24 V CC	48 V CC	12 V CC	24 V CC	48 V CC
Plage de Tensions CC	10,0~16,0 V CC	20,0~32,0 V CC	40,0~64,0 V CC	10,0~16,0 V CC	20,0~32,0 V CC	40,0~64,0 V CC
Consommation en mode Économie d'énergie	0,9 A	0,5 A	0,3 A	1,1 A	0,7A	0,4 A
Consommation à Vide	< 3,2 A	< 1,6 A	< 1,0 A	< 3,6 A	< 1,8 A	< 1 A
Calibre Fusible	40 A x 9	20 A x 9	15 A x 6	40 A x 9	20 A x 9	15 A x 6
Entrée Courant Alternatif						
Plage de Tensions CA	100 / 110 / 115 / 120 V CA \pm 12,5 %			200 / 220 / 230 / 240 V CA \pm 12,5%		
Fréquence, commutable par sélecteur (DIP)	50 / 60 Hz					
Synchronisation de fréquence	47~57 / 53~63 Hz					
Calibre disjoncteur	35 A			20 A		
Relais de transfert ^①	ATS de série : relais de transfert automatique Onduleur-Consommateur CA : 8-10 ms; Consommateur CA-onduleur : 16-50 ms					
	Module STS en option : monophasé < 4 ms; N+1 & 1 phase 3 fils & 3 phases 4 fils < 6 ms					
Protections						
Alarme Batterie Basse \pm 3 %	10,5 V CC	21,0 V CC	42,0 V CC	10,5 V CC	21,0 V CC	42,0 V CC
Coupe Batterie Basse \pm 3 %	10,0 V CC	20,0 V CC	40,0 V CC	10,0 V CC	20,0 V CC	40,0 V CC
Redémarrage Batterie Basse \pm 3 %	12,5 V CC	25,0 V CC	50,0 V CC	12,5 V CC	25,0 V CC	50,0 V CC
Alarme Batterie Haute \pm 3 %	15,5 V CC	31,0 V CC	62,0 V CC	15,5 V CC	31,0 V CC	62,0 V CC
Coupe Batterie Haute \pm 3 %	16,0 V CC	32,0 V CC	64,0 V CC	16,0 V CC	32,0 V CC	64,0 V CC
Redémarrage Batterie Haute \pm 3 %	15,0 V CC	30,0 V CC	60,0 V CC	15,0 V CC	30,0 V CC	60,0 V CC
Protections en Entrée	Inversion de polarités (fusible), sous-tension, surtension, sur-intensité CA (disjoncteur)					
Protections en Sortie	Court-circuit, surcharge, surchauffe, surtension					

Modèle	SD2500-112	SD2500-124	SD2500-148	SD2500-212	SD2500-224	SD2500-248
Environnement						
Plage de Températures, Fonctionnement	-20 à +60 °C, voir courbes de déclassement du SD2500.					
Plage de Températures, Stockage	-40 à +70 °C					
Humidité Relative	90 % maximum, sans condensation					
Normes de Sécurité et Compatibilité Électromagnétique						
Sécurité	UL 458 (connexion par câbles uniquement)	----		EN 62368-1		
CEM	FCC Class B			② EN 55014-1, EN 55014-2; EN 61000-3-2, -3-3; EN 62368-1		
Marquage CE	----			CISPR 25; ISO 7637-2		
Panneaux de Contrôle et Indicateurs						
Indicateur DEL	Défaut, tension d'entrée					
Panneaux déportés compatibles	CR-6, CR-8 et CR-10					
Autres						
Dimensions (LxHxP)	283x128x436 mm / 11.14x5.04x17.17 in.					
Poids	8 kg					
Refroidissement	Ventilateur asservi à la charge et à la température					
Communication	RS-232 (connecteur RJ-11), Ethernet en option					

**Note**

Ces caractéristiques peuvent être modifiées sans notification préalable. Tests effectués à la puissance nominale de l'appareil.

- ① Merci de vous reporter page 59, Tableau « Temps de commutation ».
- ② EN 55014-1, EN 55014-2 classe B : avec câbles en sortie d'une longueur inférieure à 2 mètres.

2-3-3. Caractéristiques SD3500

Modèle	SD3500-112	SD3500-124	SD3500-148	SD3500-212	SD3500-224	SD3500-248
Sortie						
Puissance Nominale	3500 W (déclassement au-delà de 35°C, voir courbes de déclassement en 12 V) (déclassement au-delà de 40°C, voir courbes de déclassement en 24 V et 48 V)					
Puissance de Sortie Maxi (3 s)	4500 W					
Puissance de Sortie en Pointe (<0,2 s)	6000 W					
Signal de Sortie	Onde Sinusoïdale Pure					
Rendement (pleine charge)	90 %	90 %	91%	90%	91%	91%
Tension de Sortie (@ tension CC nominale)	100 / 110 / 115 / 120 V CA \pm 3 %			200 / 220 / 230 / 240 V CA \pm 3 %		
Fréquence	50 / 60 Hz \pm 0,1%					
Distorsion Harmonique (DHT)	< 3 % si : Supérieur à 1,15 fois la tension CC nominale, 110 V / charge linéaire			< 3 % si : Supérieur à 1,15 fois la tension CC nominale, 230 V / charge linéaire		
Entrée Courant Continu						
Tension Courant Continu	12 V CC	24 V CC	48 V CC	12 V CC	24 V CC	48 V CC
Plage de Tensions CC	10,0~16,0 V CC	20,0~32,0 V CC	40,0~64,0 V CC	10,0~16,0 V CC	20,0~32,0 V CC	40,0~64,0 V CC
Consommation en mode Économie d'énergie	1,4 A	0,5 A	0,5 A	1,4 A	0,5 A	0,5 A
Consommation à Vide	< 2,9 A	< 1,4 A	< 0,8 A	< 3,6 A	< 1,8 A	< 1 A
Calibre Fusible	40 A x 12	20 A x 12	20 A x 6	40 A x 12	20 A x 12	20 A x 6
Entrée Courant Alternatif						
Plage de Tensions CA	100 / 110 / 115 / 120 V CA \pm 12,5 %			200 / 220 / 230 / 240 V CA \pm 12,5 %		
Fréquence, commutable par sélecteur (DIP)	50 / 60 Hz					
Synchronisation de fréquence	47~57 / 53~63 Hz					
Calibre disjoncteur	35 A			20 A		
Relais de transfert^①	ATS de série : relais de transfert automatique					
	Onduleur-Consommateur CA : 8-10 ms; Consommateur CA-onduleur : 16-50 ms					
	Module STS en option : monophasé < 4 ms; N+1 & 1 phase 3 fils & 3 phases 4 fils < 6 ms					
Protections						
Alarme Batterie Basse \pm 3 %	10,5 V CC	21,0 V CC	42,0 V CC	10,5 V CC	21,0 V CC	42,0 V CC
Coupure Batterie Basse \pm 3 %	10,0 V CC	20,0 V CC	40,0 V CC	10,0 V CC	20,0 V CC	40,0 V CC
Redémarrage Batterie Basse \pm 3 %	12,5 V CC	25,0 V CC	50,0 V CC	12,5 V CC	25,0 V CC	50,0 V CC
Alarme Batterie Haute \pm 3 %	15,5 V CC	31,0 V CC	62,0 V CC	15,5 V CC	31,0 V CC	62,0 V CC
Coupure Batterie Haute \pm 3 %	16,0 V CC	32,0 V CC	64,0 V CC	16,0 V CC	32,0 V CC	64,0 V CC
Redémarrage Batterie Haute \pm 3 %	15,0 V CC	30,0 V CC	60,0 V CC	15,0 V CC	30,0 V CC	60,0 V CC
Protections en Entrée	Inversion de polarités (fusible), sous-tension, surtension, sur-intensité CA (disjoncteur)					
Protections en Sortie	Court-circuit, surcharge, surchauffe, surtension					

Modèle	SD3500-112	SD3500-124	SD3500-148	SD3500-212	SD3500-224	SD3500-248
Environnement						
Plage de Températures, Fonctionnement	-20 à +60 °C, voir courbes de déclassement du SD3500.					
Plage de Températures, Stockage	-40 à +70 °C					
Humidité Relative	90 % maximum, sans condensation					
Normes de Sécurité et Compatibilité Électromagnétique						
Sécurité	UL 458 (connexion par câbles uniquement)	----		EN 62368-1		
CEM	FCC Class B			② EN 55014-1, EN 55014-2; EN 61000-3-2, -3-3; EN 61000-6-1, -6-2, -6-3, -6-4 EN 62368-1, EN 61204-3		
Marquage CE	----			CISPR 25; ISO 7637-2		
Panneaux de Contrôle et Indicateurs						
Indicateur DEL	Défaut, tension d'entrée					
Panneaux déportés compatibles	CR-6, CR-8 et CR-10					
Autres						
Dimensions (LxHxP)	283x128x496 mm / 11.14x5.04x19.53 in.					
Poids	10 kg					
Refroidissement	Ventilateur asservi à la charge et à la température					
Communication	RS-232 (connecteur RJ-11), Ethernet en option					

**Note**

Ces caractéristiques peuvent être modifiées sans notification préalable. Tests effectués à la puissance nominale de l'appareil.

① Merci de vous reporter page 59, Tableau « Temps de commutation ».

② EN 55014-1, EN 55014-2 classe B : avec câbles en sortie d'une longueur inférieure à 2 mètres.

Courbes de déclassement

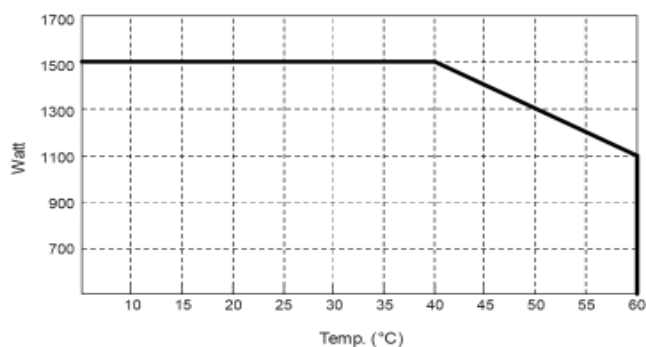


Schéma 1. SD1500 – Courbes de déclassement

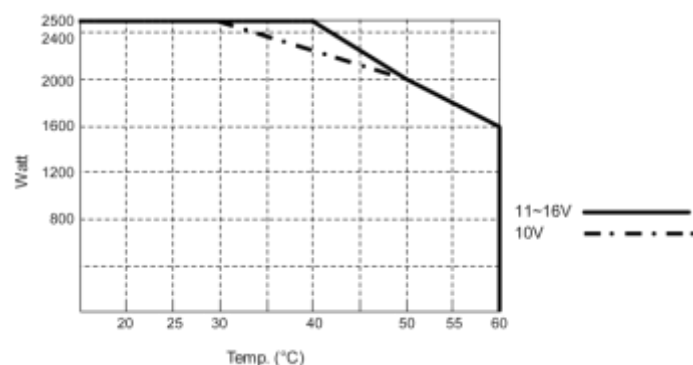


Schéma 2. SD2500 – Courbes de déclassement

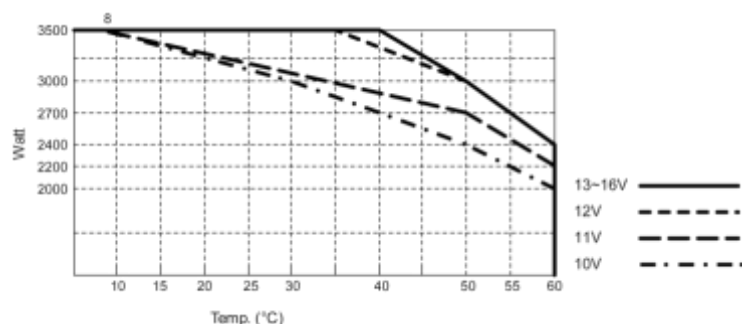


Schéma 3. SD3500 – Courbes de déclassement

Temps de commutation		
Mode de commutation	ATS	STS*
Au hasard / à la demande	Onduleur-Consommateur CA : 8-10 ms Consommateur CA-onduleur : 16-50 ms	Si synchronisation : < 4 ms Sans synchronisation : Onduleur-Consommateur CA : < 4 ms Consommateur CA-onduleur : 16-50 ms
Normal	Onduleur-Consommateur CA : 8-10 ms Consommateur CA-onduleur : 16-25 ms	< 4 ms
Concordant	Onduleur-Consommateur CA : 8-10 ms Consommateur CA-onduleur : 16-50 ms	Onduleur-Consommateur CA : < 4 ms Consommateur CA-onduleur : 16-50 ms
On-line	Onduleur-Consommateur CA : 16-25 ms Consommateur CA-onduleur : 16-25 ms	< 4 ms

Tableau 1. Série SD - Temps de commutation

2-4. Schémas d'encombrement

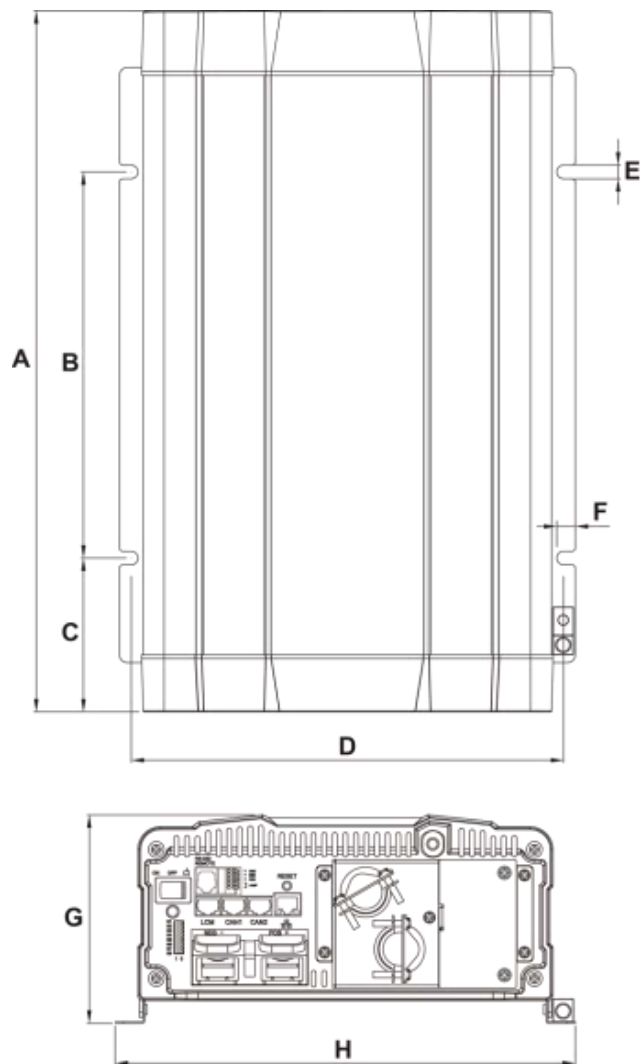
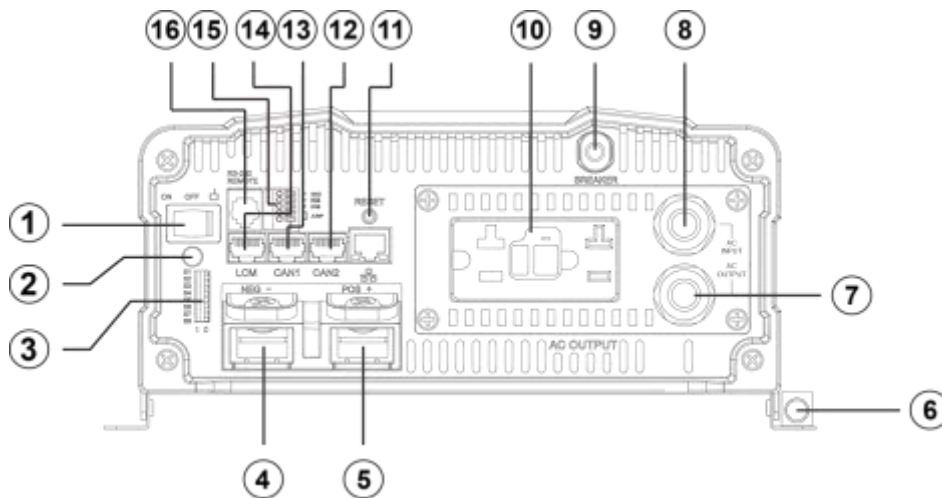


Schéma 4. Série SD – Schémas d'encombrement

Modèle	A (mm)	B (mm)	C (mm)	D (mm)	E (mm)	F (mm)	G (mm)	H (mm)
SD1500	351	160,0	93,1	268,6	8,5	11,5	128	283
SD2500	436	240,0	95,6	268,6	8,5	11,5	128	283
SD3500	496	240,0	125,6	268,6	8,5	11,5	128	283

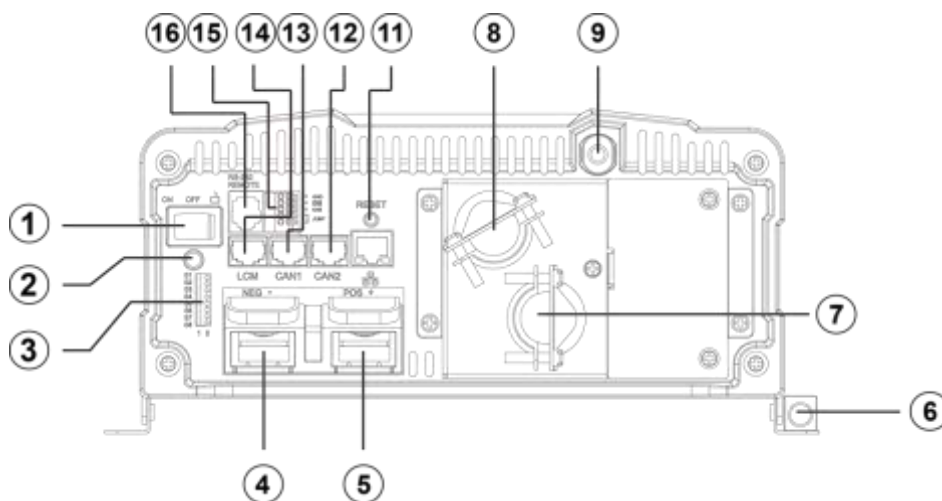
Tableau 2. Série SD - Cotes

3. Introduction



Modèle standard

Schéma 5. Série SD – Vue du panneau avant



Version UL

Schéma 6. Série SD modèles UL – Vue du panneau avant

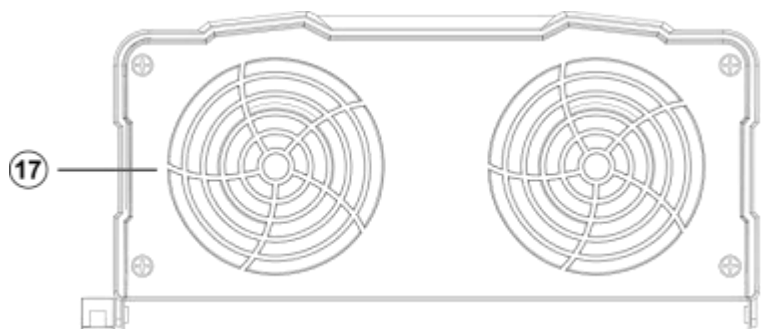


Schéma 7. Série SD – Vue du panneau arrière

Présentation	
1 Interrupteur On/Off/REMOTE (panneau déporté)	10 Sortie CA
2 DEL d'état	11 Bouton Reset (réinitialisation)
3 Interrupteurs DIP (S1-S8)	12 Port CAN2 (utilisé si montage en parallèle)
4 Entrée négatif CC (-)	13 Port CAN1 (utilisé si montage en parallèle)
5 Entrée positif CC (+)	14 Port LCM (connexion panneau déporté avec afficheur LCD)
6 Borne de masse (GND)	15 Bornier vert (sélection mode commande déportée ou mode parallèle)
7 Sortie CA	16 Port RS-232 (connexion du panneau déporté)
8 By-pass entrée CA	17 Ventilateur
9 Disjoncteur, entrée CA	

Tableau 3. Série SD – Description panneau avant / panneau arrière

3-1. Interrupteur ON / OFF / REMOTE

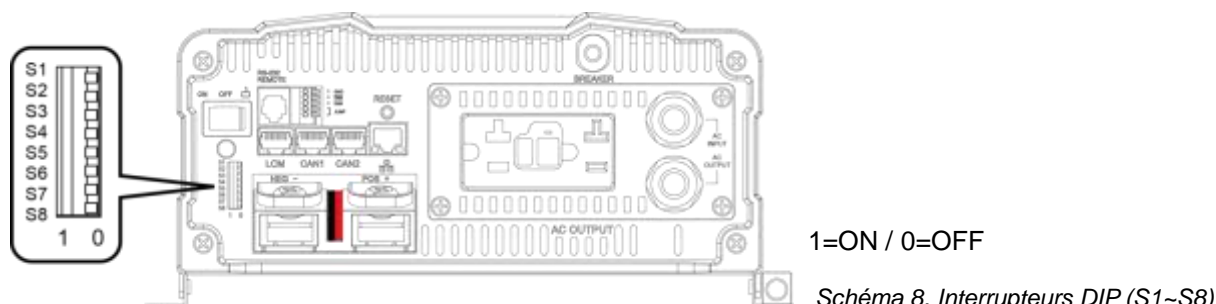
- Avant d'installer l'onduleur, s'assurer qu'il est hors tension (interrupteur en position Off).
- Avant d'utiliser le panneau déporté, placer l'interrupteur en position « REMOTE ».
- Lorsque l'onduleur est connecté au réseau public (courant alternatif), l'interrupteur On/Off ne permet pas de le mettre hors tension. Avant toute intervention, commencer par déposer la connexion au réseau sur l'onduleur puis placer l'interrupteur sur Off.

3-2. Témoins lumineux à DEL

DEL Verte	Signal DEL	Etat
Fixe		En Fonction
Clignotant (lent)		Economie d'énergie
Clignotant (intermittent)		Commutation relais (Bypass)
DEL Orange	Signal DEL	Etat
Clignotant (rapide)		Sur-Tension (OVP)
Clignotant (lent)		Sous-Tension (UVP)
DEL Rouge	Signal DEL	Etat
Clignotant (intermittent)		Surchauffe (OTP)
Clignotant (rapide)		Coupure OTP
Clignotant (lent)		Coupure UVP
Fixe		Surcharge
Clignotant (intermittent)		Défaut ventilateur
Clignotant (intermittent)		Défaut composant

Tableau 4. Série SD – Témoins lumineux à DEL

3-3. Interrupteurs DIP (S1-S8)



1=ON / 0=OFF

Schéma 8. Interrupteurs DIP (S1-S8)

Interrupteur	Affectation
S1	Sélection de la tension de sortie CA
S2	Sélection de la tension de sortie CA
S3	Sélection de la fréquence
S4	Paramétrage de la sortie triphasée ou du mode économie d'énergie
S5	Paramétrage de la sortie triphasée ou du mode économie d'énergie
S6	Paramétrage de la sortie triphasée ou du mode économie d'énergie
S7	Paramétrage interrupteurs S4-S6 tension de sortie triphasée ou mode économie d'énergie
S8	Paramétrage des fonctions de réglage via LCM ou interrupteurs DIP

Tableau 5. Affectation des interrupteurs DIP (S1-S8)

3-3-1. Paramétrage des interrupteurs DIP

S1	S2	S3	S4	S5	S6	S7	S8	Scénario
0	0	X	X	X	X	X	X	Tension sortie CA : 100 / 200 V CA
1	0	X	X	X	X	X	X	Tension sortie CA : 110 / 220 V CA
0	1	X	X	X	X	X	X	Tension sortie CA : 115 / 230 V CA
1	1	X	X	X	X	X	X	Tension sortie CA : 120 / 240 V CA
X	X	0	X	X	X	X	X	Fréquence sortie CA : 50 Hz
X	X	1	X	X	X	X	X	Fréquence sortie CA : 60 Hz
X	X	X	X	X	X	0	X	Paramétrage mode économie d'énergie (S4-S6) : pas de maître-esclave en parallèle
X	X	X	X	X	X	1	X	Paramétrage sortie triphasée (S4-S6)
X	X	X	X	X	X	X	0	Paramètres des fonctions via LCM
X	X	X	X	X	X	X	1	Paramétrages des fonctions via interrupteurs DIP

1=ON / 0=OFF

Tableau 6. Paramétrage des interrupteurs DIP

3-3-2. Mode économie d'énergie

Il est possible de paramétrer le mode économie d'énergie via les interrupteurs DIP S4, S5 et S6.

Exemple SD2500 – Économie d'énergie paramétrée à 2 % - Si la charge est inférieure à 50 W pendant 10 secondes, l'onduleur bascule en mode économie d'énergie. Lorsque la charge est supérieure à 150 W, l'onduleur sort du mode économie d'énergie.

A. Entrée en mode économie d'énergie

Puissance nominale x % paramétré = seuil de basculement en mode économie d'énergie.

Si la charge est inférieure au seuil durant 5 secondes, l'onduleur bascule en mode économie d'énergie.

B. Sortie du mode économie d'énergie

Puissance nominale x % paramétré x 2-3 = seuil de sortie du mode économie d'énergie.

Lorsque la charge est supérieure au seuil paramétré, l'onduleur sort du mode économie d'énergie.

S1	S2	S3	S4	S5	S6	S7	S8	Scénario
X	X	X	0	0	0	0	X	Mode économie d'énergie désactivé
X	X	X	1	1	0	0	X	Bascule en mode économie d'énergie quand la charge est inférieure à 4% de la puissance nominale
X	X	X	0	0	1	0	X	Bascule en mode économie d'énergie quand la charge est inférieure à 5 % de la puissance nominale
X	X	X	1	0	1	0	X	Bascule en mode économie d'énergie quand la charge est inférieure à 6 % de la puissance nominale
X	X	X	0	1	1	0	X	Bascule en mode économie d'énergie quand la charge est inférieure à 7 % de la puissance nominale
X	X	X	1	1	1	0	X	Bascule en mode économie d'énergie quand la charge est inférieure à 8 % de la puissance nominale

1=ON / 0=OFF

Tableau 7. Paramétrage du mode économie d'énergie

3-3-3. S4-S6, paramétrage des montages en parallèle

S1	S2	S3	S4	S5	S6	S7	S8	Scénario
X	X	X	0	0	0	1	X	Maître (0°) ou « R » phase Montage en série, 1 phase 3 fils ou 3 phases 4 fils
X	X	X	0	0	1	1	X	Esclave (0°), pour partage de courant en montage parallèle uniquement
X	X	X	0	1	1	1	X	Esclave (180°), pour une sortie 1 phase 3 fils en montage série (L-NN-L)
X	X	X	1	0	0	1	X	Esclave (-120°), phase « S » / phase « S » (-120°) en connexion 3 phases 4 fils
X	X	X	1	0	1	1	X	Esclave (120°), phase « T » / phase « T » (120°) en connexion 3 phases 4 fils
X	X	X	1	1	1	1	X	Réservé

1=ON / 0=OFF

Tableau 8. Paramétrage des montages en parallèle

3-3-4. S8, paramétrage via interrupteur DIP ou LCM

Paramètre	S8
LCM	0
Interrupteur DIP	1

1=ON / 0=OFF

Tableau 9. Sélection du mode de paramétrage

3-4. Négatif (-) entrée courant continu (voir chapitre 4, connexions courant continu)

3-5. Positif (+) entrée courant continu (voir chapitre 4, connexions courant continu)

3-6. Masse (chassis ground) :

utiliser un conducteur 10 mm² (8 AWG) pour la liaison au châssis du véhicule

**Attention !**

Utiliser un onduleur qui n'est pas correctement relié à la terre présente des risques.

3-7. Sortie courant alternatif (voir chapitre 5-4, connexions courant alternatif)

3-8. By-pass entrée courant alternatif (voir chapitre 5-4, connexions courant alternatif)

3-9. Disjoncteur entrée courant alternatif

L'entrée courant alternatif est protégée par un disjoncteur qui ouvre le circuit en cas de surcharge.

Résoudre le problème puis réarmer manuellement le disjoncteur.

3-10. Socle sortie CA (voir chapitre 5-4, connexions courant alternatif)

3-11. Bouton de réinitialisation (RESET – avec interface Ethernet exclusivement)

La réinitialisation restaure l'adressage IP d'origine.

IP : 192.168.100.181

Subnet Mask : 255.255.255.0

3-12. Ports CAN1 et CAN2 (pour montage en parallèle uniquement)

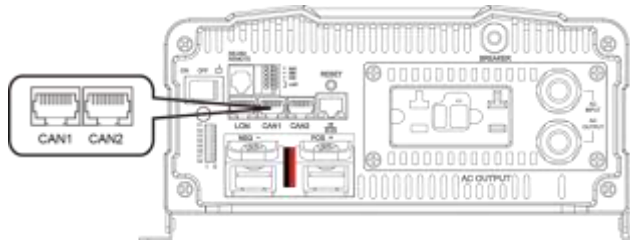


Schéma 9. Ports CAN1 et CAN2

1. Pour un montage en parallèle, s'assurer que le cavalier sur le bornier vert est paramétré sur ON.
2. Utiliser un câble RJ-45 pour raccorder les onduleurs entre eux : ports CAN1 (CAN2) à ports CAN1 (CAN2).

PIN#	LCM	CAN1	CAN2
1	CANH	CAN_H	CAN_H
2	CANL	CAN_L	CAN_L
3	P1	Réservé	Réservé
4	VCC-	Réservé	Réservé
5	VCC+	Réservé	Réservé
6	DIS	Réservé	Réservé
7	5VS-	RND	RND
8	5VS+	Réservé	Réservé

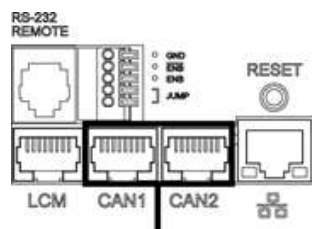
Tableau 10. Ports LCM, CAN1, CAN2 – Broches et description du signal



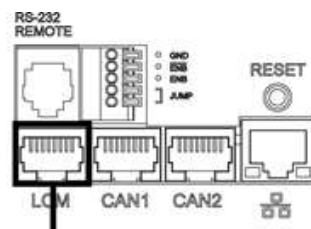
Attention !

Le port LCM est dédié uniquement au panneau déporté.

Sur un montage en parallèle via les ports CAN1 & CAN2, ne pas utiliser le port LCM.



Montage en parallèle uniquement



Connexion panneau déporté uniquement

3-13. Port LCM

Connecteur du panneau déporté avec afficheur LCD.

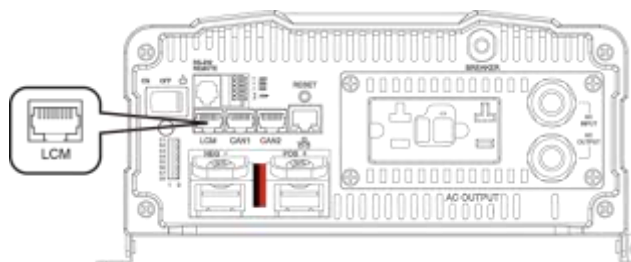


Schéma 10. Port LCM



Schéma 11. Câble LCM

Panneau déporté		Onduleur SD
Broche	Signal	Broche
1	CANH	1
2	CANL	2
3	PON	3
4	VCC-	4
5	VCC+	5
6	DIS	6
7	5VS-	7
8	5VS+	8

Tableau 11. Connecteur panneau déporté – Broches et description du signal



Note

Les câbles doivent être le plus court possible (longueur inférieure à 10 mètres) pour que le signal soit correct.

3-14. Bornier vert (Mode commande déportée & Mode parallèle)

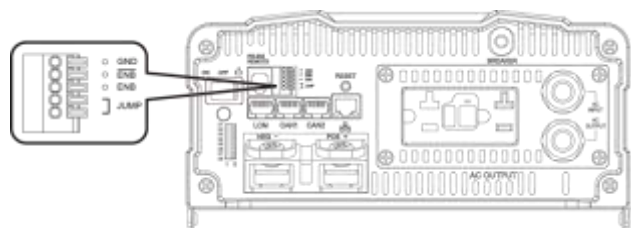


Schéma 12. Bornier vert

Broche	Description
1	GND
2	-ENB
3	ENB
4	Cavalier – Mode parallèle
5	Cavalier – Mode parallèle

Tableau 12. Bornier vert – Affectation des broches

3-14-1. Cavalier – Mode parallèle (voir chapitre 5 pour plus de détails)

1. Avant d'installer l'onduleur, s'assurer que l'interrupteur est sur OFF.
2. Utiliser un conducteur dont la section est comprise entre 0,5 mm² et 0,25 mm² pour cette connexion.

3-14-2. Mode commande déportée

1. Avant d'installer l'onduleur, s'assurer que l'interrupteur est sur OFF.
2. Pour utiliser l'onduleur dans ce mode, placer l'interrupteur en position REMOTE (commande déportée).
3. Utiliser un conducteur dont la section est comprise entre 0,5 mm² et 0,25 mm² pour cette connexion.

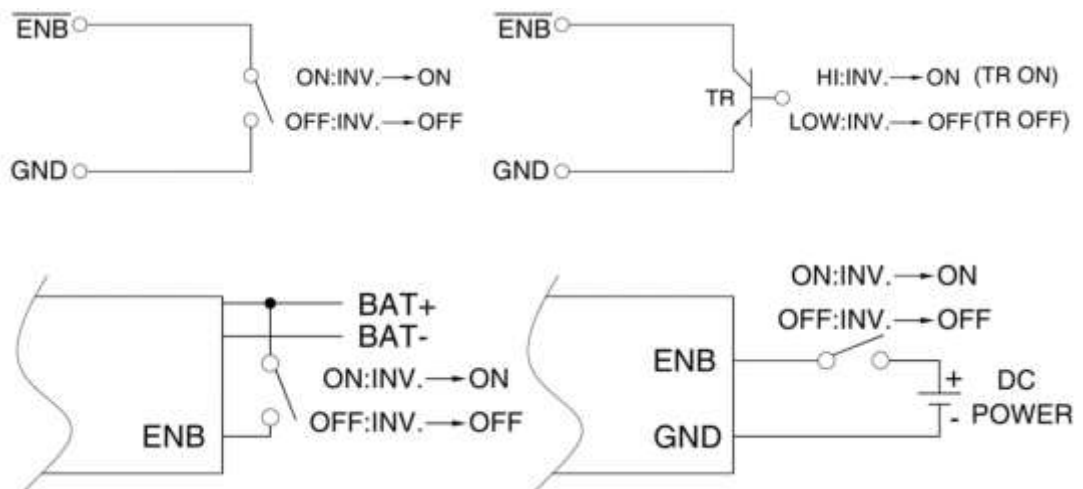


Schéma 13. Panneau déportée – Paramétrage des fonctions



Note

Les méthodes ci-dessus peuvent être utilisées pour active/désactiver le panneau déporté (ON/OFF).

3-15. Port de communication RS-232

Pour piloter l'onduleur via un ordinateur.

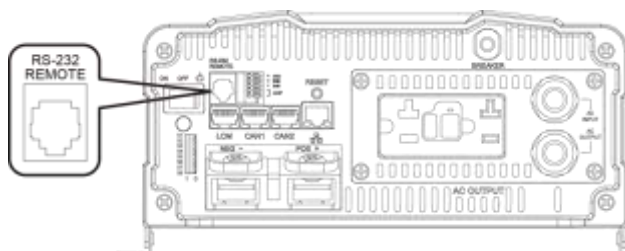
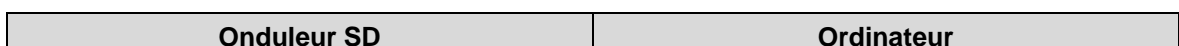


Schéma 14. Port RS-232



Schéma 15. Câble RS-232



Broche	Signal	Broche	Signal
1	Non utilisé	1	Non utilisé
2	GND (masse)	5	GND (masse)
3	RXD (réception données)	3	TXD (transmission données)
4	TXD (transmission données)	2	RXD (réception données)
5	Non utilisé		Non utilisé
6	Non utilisé		Non utilisé

Tableau 13. Connexions onduleur SD/ordinateur

La connexion entre onduleur SD et ordinateur se présente comme suit :



3-16. Ventilateur

Prévoir un dégagement de 2,5 cm minimum sur l'arrière de l'appareil.

3-17. Protections

Modèle	Entrée courant continu (V CC)					
	Surtension		Alarme surtension*	Surtension		Alarme sous tension
	Coupure	Reprise		Coupure	Reprise	
12 V	16 ± 0,25	15 ± 0,25	15,5 ± 0,25	10 ± 0,25	12,5 ± 0,25	10,5 ± 0,25
24 V	32 ± 0,5	30 ± 0,5	31 ± 0,5	20 ± 0,5	25 ± 0,5	21 ± 0,5
48 V	64 ± 1	60 ± 1	62 ± 1	40 ± 1	50 ± 1	42 ± 1

* Alarme surtension, indicateur DEL, pas de signal sonore.

Tableau 14. Caractéristiques des protections

4. Connexions courant continu (alimentation de l'onduleur)

Les câbles de connexion à la batterie doivent être le plus court possible (idéalement, la longueur devrait être inférieure à 1,80 m) et de section suffisante pour réaliser une installation conforme aux normes en vigueur.

Les câbles de section insuffisante ou trop longs provoqueront une perte de performances (faible capacité en pointe, alarmes tension basse et extinctions de l'onduleur répétées).

Ces alarmes tension basse sont dues à la chute de tension continue dans les câbles reliant l'onduleur à la batterie. Plus les câbles sont longs et de faible section, plus les pertes en ligne sont importantes.

Choisir une section de câbles supérieure améliorera la situation.

Respecter les préconisations suivantes afin d'obtenir un fonctionnement optimal de l'onduleur (applicables aux versions 120 V et 230 V).

Modèle	Section de câble	Calibre du fusible
SD1500-112 / 212	0 AWG – 70 mm ²	250 A
SD1500-124 / 224	1 AWG – 50 mm ²	175 A
SD1500-148 / 248	4 AWG – 25 mm ²	90 A
SD2500-112 / 212	3/0 AWG – 95 mm ²	350 A
SD2500-124 / 224	1 AWG – 50 mm ²	175 A
SD2500-148 / 248	4 AWG – 25 mm ²	90 A
SD3500-112 / 212	4/0 AWG – 120 mm ²	500 A
SD3500-124 / 224	0 AWG – 70 mm ²	250 A
SD3500-148 / 248	2 AWG – 35 mm ²	125 A

Tableau 15. Série SD – Sections de câble et calibre du fusible en ligne

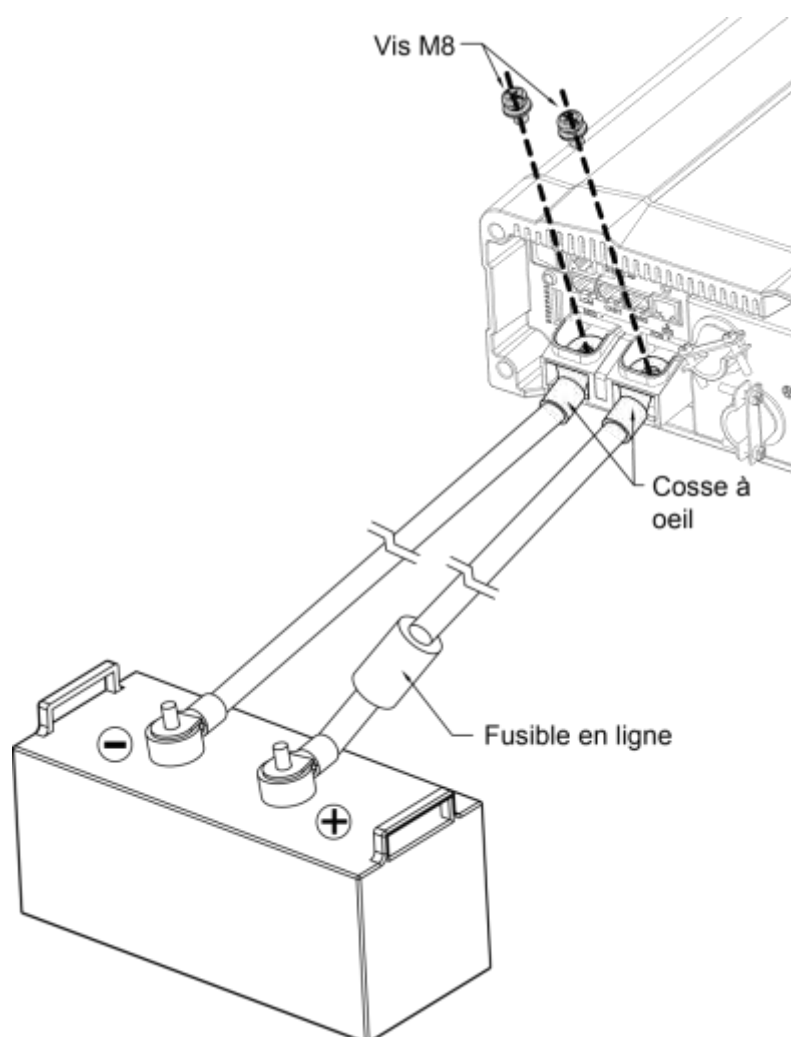
Connecter les câbles aux bornes d'entrée situées sur l'arrière de l'onduleur. Le bornier rouge est l'entrée positive (+), et le bornier noir l'entrée négative (-). Insérer les câbles dans les borniers et serrer les vis pour sécuriser la connexion.



Attention !

1. S'assurer que toutes les connexions CC sont fermement serrées (serrer à 15 Nm). Des connexions insuffisamment serrées peuvent chauffer et entraîner un risque potentiel.
2. Monter un fusible sur le câble positif. Le non-respect de cette consigne peut endommager l'onduleur et entraîne l'annulation de la garantie.

Utiliser des câbles cuivre de qualité et les maintenir le plus court possible (0,90 à 1,80 m maximum).



Ne rien placer entre la cosse à œil et le contact sur la borne.

Procéder comme indiqué sur le schéma.

Schéma 17. Câblage batterie



AVERTISSEMENT !

Lors de la mise en service initiale, une étincelle peut se produire car les condensateurs internes se chargent. Ceci est un phénomène normal.

4-1. Entrées courant continu

Raccorder les bornes d'entrée courant continu à une batterie 12 V, 24 V ou 48 V ou à une autre source courant continu. [+] correspond à la borne positive et [-] à la borne négative. Une inversion de polarités peut griller le fusible interne et endommager irrémédiablement l'onduleur.

Modèle	Tension d'entrée courant continu	
	Minimum	Maximum
12 V	10 V	16 V
24 V	20 V	32 V
48 V	40 V	64 V

Tableau 16. Série SD - Plage de tensions admissibles (entrée courant continu)

4-2. Connexion fixe (câblage)

4-2-1. Sur les onduleurs de la série SD, il est possible de réaliser une connexion fixe. Cela rend plus aisé le câblage du panneau déporté.

【Modèle standard】

Étape 1. Déposer les 4 vis sur la sortie CA.

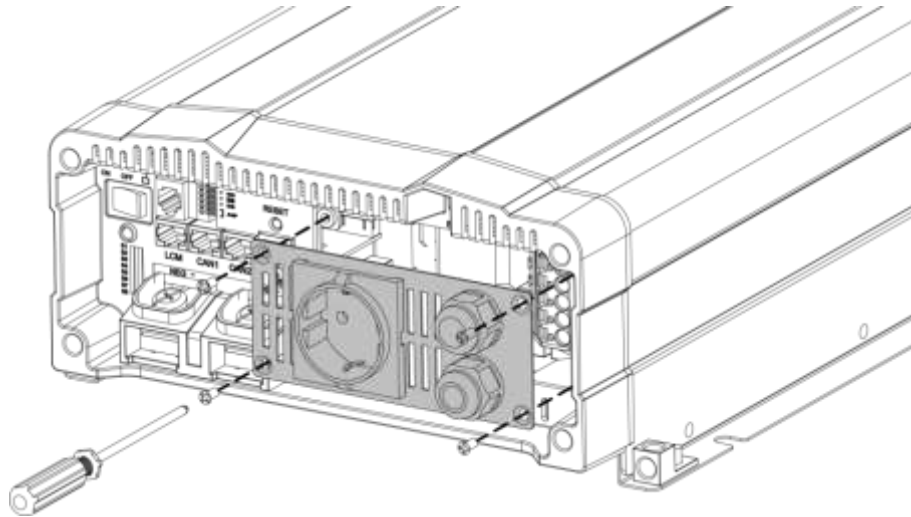


Schéma 18. Étape 1 – Modèle standard

Étape 2. Passer le câble dans le presse-étoupe et suivre les instructions de câblage des schémas ci-dessous.

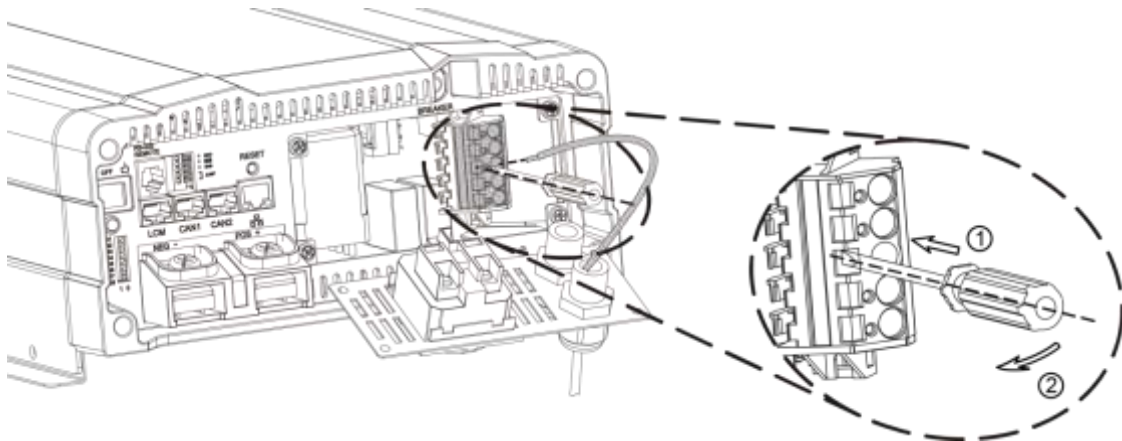


Schéma 19. Étape 2 – Modèle standard

Systèmes 100 V CA~120 V CA / 200 V CA~240 V CA

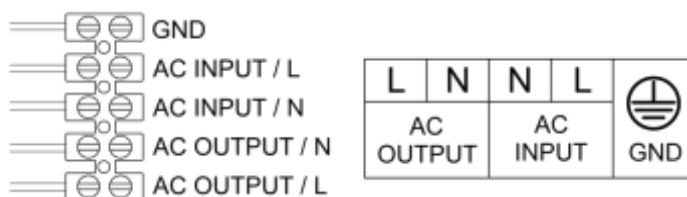


Schéma 20. Modèle standard – Câblage CA



Note

Il n'y a pas de différences de câblage entre le 110 V et le 220 V.



Note

Si l'installation requiert une protection différentielle, COTEK recommande d'installer un disjoncteur avec temporisation.

Courant de fuite : 30 mA, 100 mA, 300 mA, 500 mA

Temporisation : 0,45 seconde, 1 seconde, 2 secondes

【Modèle UL】

Étape 1. Déposer les 4 vis sur la sortie CA.

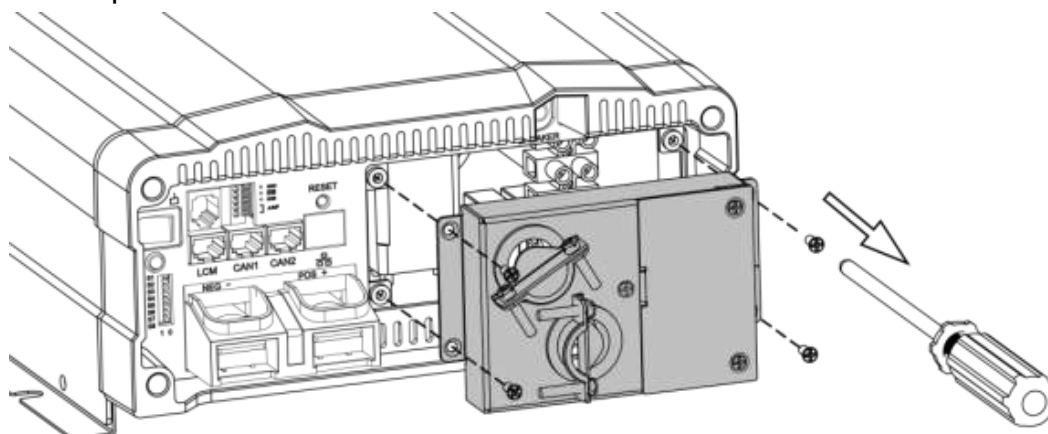


Schéma 21. Étape 1 – Modèle UL

Étape 2. Passer le câble dans l'anneau et suivre les instructions de câblage des schémas ci-dessous.

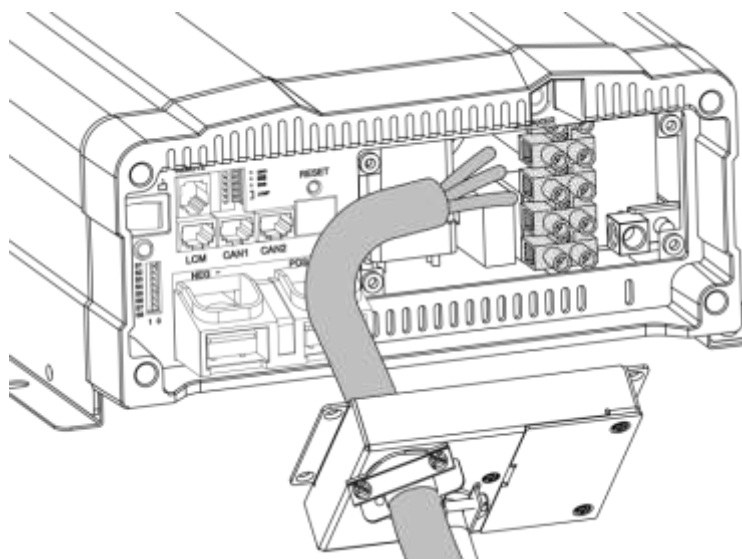


Schéma 22. Étape 2 – Modèle UL

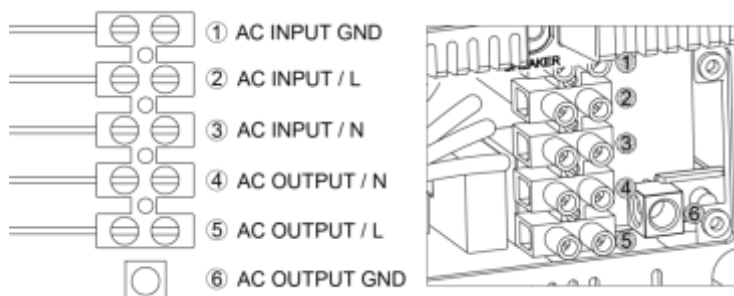


Schéma 23. Modèle UL – Câblage CA

Étape 3. Reposer les vis.

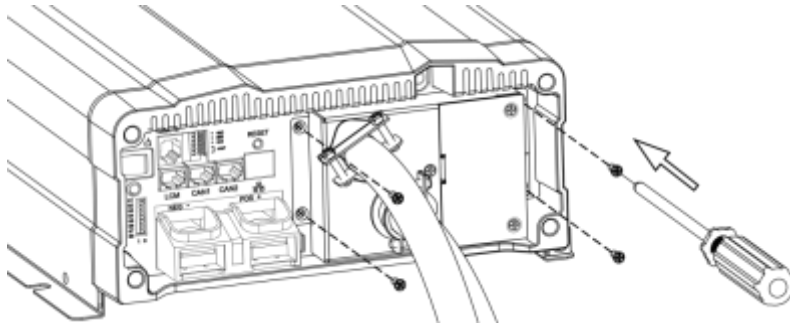


Schéma 24. Étape 3 – Modèle UL

4-2-2. Détail des connexions courant alternatif

Borne		Couleur	Longueur et section du câble
Sortie CA	Phase (L)	Noir	Jusqu'à 5 m : 200-240 V CA : 4 mm ² 100-120 V CA : 6 mm ²
	Neutre (N)	Blanc	
Entrée CA	Phase (L)	Marron	
	Neutre (N)	Bleu	
Terre (GND)		Vert/Jaune ou cuivre nu	Entre 8 et 9 m : 4 à 6 mm ²

Tableau 17. Couleur câble / Longueur / Section

4-2-3. Connexion du neutre

La configuration par défaut est « A » : pas de connexion du neutre (N) de la sortie CA à la terre (PE/GND).

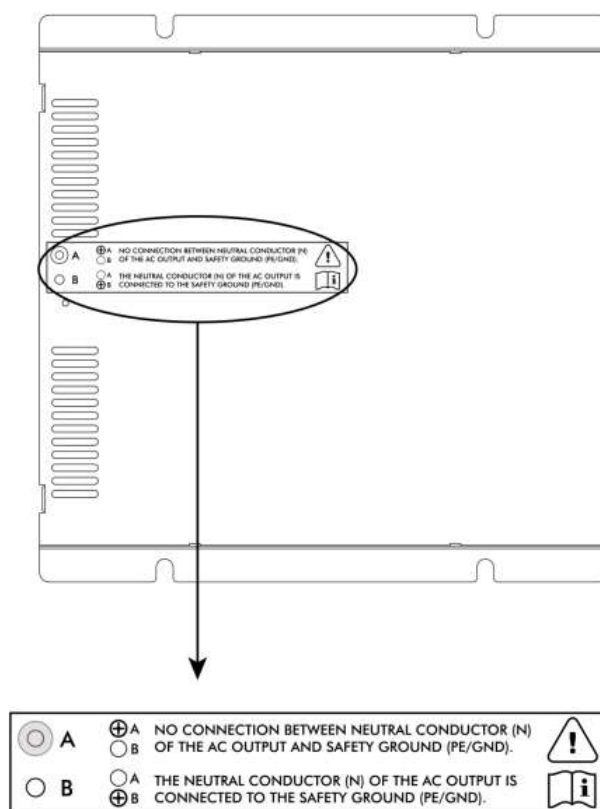


Figure 25. SD1500 Options

Schéma 25. Options SD1500

Attention !


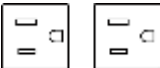
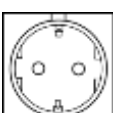
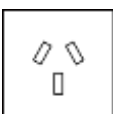
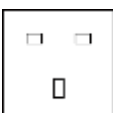
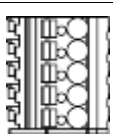

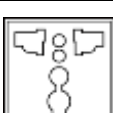
L'installation doit être effectuée par un électricien qualifié, conformément aux normes locales en vigueur.

Lorsque l'onduleur délivre uniquement la tension alternative issue de la conversion de la source continue, le courant circulant dans les conducteurs « L » (phase) et « N » (neutre) de la sortie courant alternatif est isolé du châssis de l'onduleur. Dans cet état, lorsque le châssis de l'onduleur est relié à la terre, le neutre ne sera pas un neutre au vrai sens du terme (non raccordé à la terre). Ne pas toucher ce conducteur car il peut être à un potentiel élevé (quasiment la moitié de la tension alternative de sortie) par rapport au châssis/terre et provoquer un choc électrique.

Lorsque l'onduleur transfère la puissance d'une source d'entrée courant alternatif, la mise à la terre de la sortie courant alternatif est identique à celle de l'entrée courant alternatif. Si la source CA est celle du réseau public, « N » est un neutre au vrai sens du terme, normalement relié à la terre, et il n'est pas dangereux de le toucher.

4-2-4. Socles disponibles et caractéristiques

Il est possible d'utiliser la sortie CA et les bornes de sortie CA étant données qu'elles sont reliées en parallèle.

Type	Nombre de sorties	Tension (V CA)	Courant (A)
GFCI 	2	125	20
NEMA 	2	125	15
Europe 	1	250	16
Australie/ Nlle Zélande 	1	250	15
U.K. 	1	250	13
Bornier 	1	100~250	35
① UL458 	1	120	35
② Universel 	1	100~250	16

① UL458 sur modèles 112 et 124 exclusivement.

② Uniquement conforme aux normes CE (220-240 V) et FCC (100-120 V).

Tableau 18. Socles et borniers



Note

Si le courant de charge dépasse la capacité nominale du socle, utiliser le bornier de câblage attenant.



Note

Socle GFCI – Connecteurs recommandés :
Hubbell, type GF20 et GFRST20, 125 V 20 A ; Cooper, type VFG20 et SGF20, 125 V 20 A ; Leviton, type 7899-W et GFNT2, 125 V 20 A ; Pass & Seymour, type 2097, 125 V 20 A



Attention !

Pour une utilisation à pleine puissance, il est préférable d'utiliser des connexions fixes (câblées).

5. Mode Parallèle

5-1. Préparation

1. S'assurer que l'interrupteur est sur OFF.
2. Paramétrer le cavalier (mode parallèle) du bornier vert sur ON sur le premier et sur le dernier onduleur (paramétrer les autres cavaliers sur OFF).

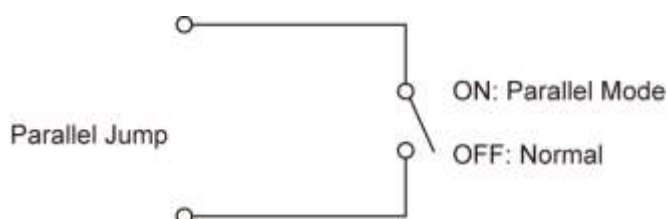


Schéma 26. Paramétrage du cavalier

Exemple : paramétrage du bornier vert pour le montage en parallèle de trois onduleurs SD.

Parallèle	Onduleur 1	Onduleur 2	Onduleur 3
Type	Esclave #1	Maître	Esclave #2
Cavalier	ON	OFF*	ON

*Sur un montage en parallèle, paramétrer le cavalier sur ON, pour le premier (unité 1) et le dernier onduleur (unité N).

Tableau 19. Paramétrage du cavalier pour les montages en parallèle

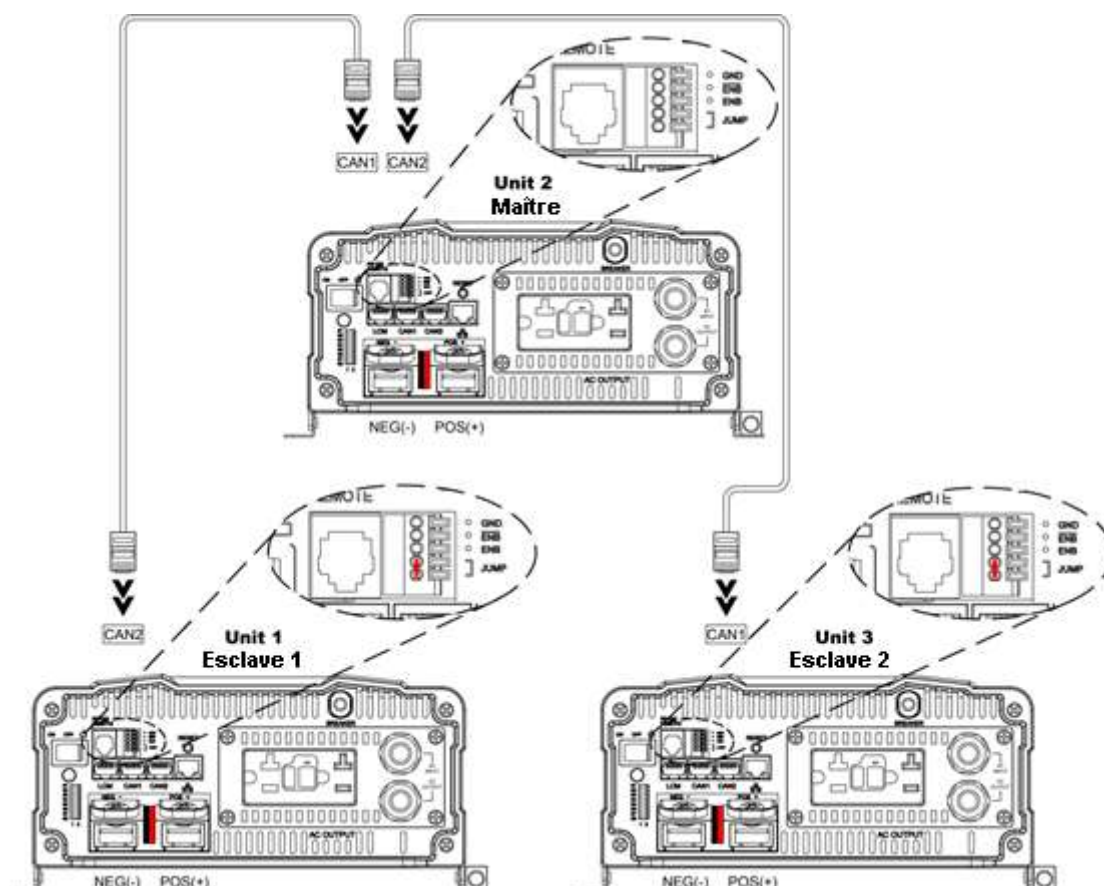


Schéma 27. Exemple – Trois onduleurs SD montés en parallèle

**Note**

Déterminer quel onduleur sera le maître.

Raccorder les onduleurs esclaves à l'onduleur maître.

Pour la connexion des ports CAN1 et CAN2, voir schéma 27.

**Note**

Il n'est pas nécessaire de monter une résistance de terminaison lorsque CAN1 et CAN2 sont câblés.

**Note**

Afin d'augmenter la puissance, il est possible de monter au maximum 5 onduleurs de la série SD en parallèle : $N+1$ ($N \leq 4$).

3. Paramétrer la tension et la fréquence via les interrupteurs DIP sur chaque onduleur (voir paragraphe 3-3).
4. S'assurer que les câbles RJ-45 sont correctement raccordés.
5. Les onduleurs de la série SD sont conçus pour une architecture maître-esclave. Il suffit à l'utilisateur de paramétrer le maître et les onduleurs esclaves reprendront automatiquement ses paramètres.

5-2. Applications Industrielles

Type	1 phase 2 fils	1 phase 3 fils	3 phases 4 fils
Schéma		<p>La sortie CA des onduleurs de la série SD peut être câblée avec un câble 1 phase 3 fils. Cela permet de doubler la tension.</p>	
Exemple	<p>Exemple : SD2500-124 Tension de sortie paramétrée : 100 V / 50 Hz Tension de ligne L-N : 100 V / 50 Hz</p>	<p>Exemple : SD2500-124 Tension de sortie paramétrée : 100 V / 50 Hz Tension de ligne L1-N : 100 V / 50 Hz</p>	<p>Exemple : SD2500-124 Tension de sortie paramétrée : 100 V / 50 Hz Tension de phase L1-N, L2-N, L3-N : 100 V / 50 Hz Tension de ligne L1-L2, L1-L3, L2-L3 : ~ 173 V / 50 Hz</p>

Type	1 phase 2 fils	1 phase 3 fils	3 phases 4 fils
Forme du signal			
Connexion batterie			
 Attention	Module de transfert STS : Monophasé < 4 ms; N+1 & 1 phase 3 fils & 3 phases 4 fils < 6 ms	Maximum deux onduleurs SD en parallèle. DHT < 4%	Maximum trois onduleurs SD en parallèle. DHT < 4% * L'interrupteur DIP S7 doit être positionné sur 1 pour cette configuration. *
Inter.. DIP	Voir § 5-2-1. / 5-2-2.	Voir § 5-2-3.	Voir § 5-2-4.
Câblage	Voir schéma 32. / schéma 33.	Voir schéma 34.	Voir schéma 35.

Tableau 20. Montages en parallèle pour applications industrielles

5-2-1. 1 phase 2 fils – Configuration des interrupteurs DIP

	Maître	Esclave 0°
S4	0	0
S5	0	0
S6	0	1
S7	1	1
S8	1	1

Tableau 21. 1 phase 2 fils – Configuration des interrupteurs DIP

5-2-2. 1 phase 2 fils – Auto Master (reconnaissance automatique onduleur maître)

Auto Master	
S4	0
S5	0
S6	0
S7	0
S8	1

Tableau 22. 1 phase 2 fils – Auto Master – Configuration des interrupteurs DIP

5-2-3. 1 phase 3 fils – Configuration des interrupteurs DIP

	Maître	Esclave 180°
S4	0	0
S5	0	1
S6	0	1
S7	1	1
S8	1	1

Tableau 23. 1 phase 3 fils – Configuration des interrupteurs DIP

5-2-4. 3 phases 4 fils – Configuration des interrupteurs DIP

	L1 Maître	L2 -120° Esclave	L2 +120° Esclave
S4	0	1	1
S5	0	0	0
S6	0	0	1
S7	1	1	1
S8	1	1	1

Tableau 24. 3 phases 4 fils – Configuration des interrupteurs DIP

5-3. Câblage

5-3-1. Séquence des connexions

1. Sortie CA : phase à phase / neutre à neutre.
2. Entrée CA : phase à phase / neutre à neutre.
3. Parc batteries : POS+ à POS+ / NEG- à NEG-.

5-3-2. Schémas

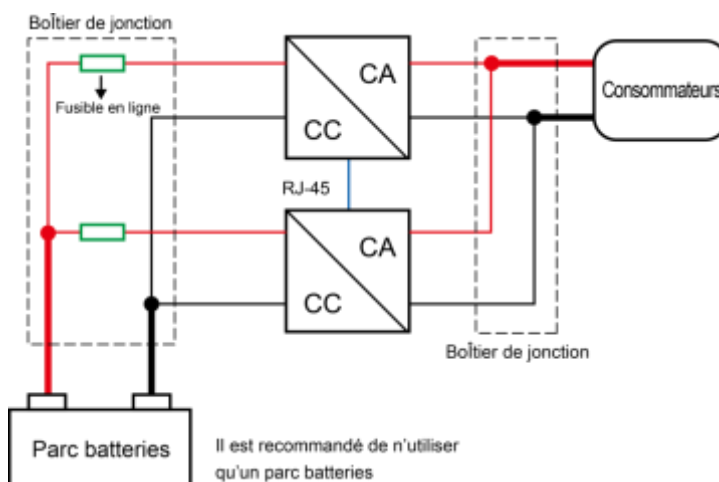


Schéma 28. Schéma de câblage_1

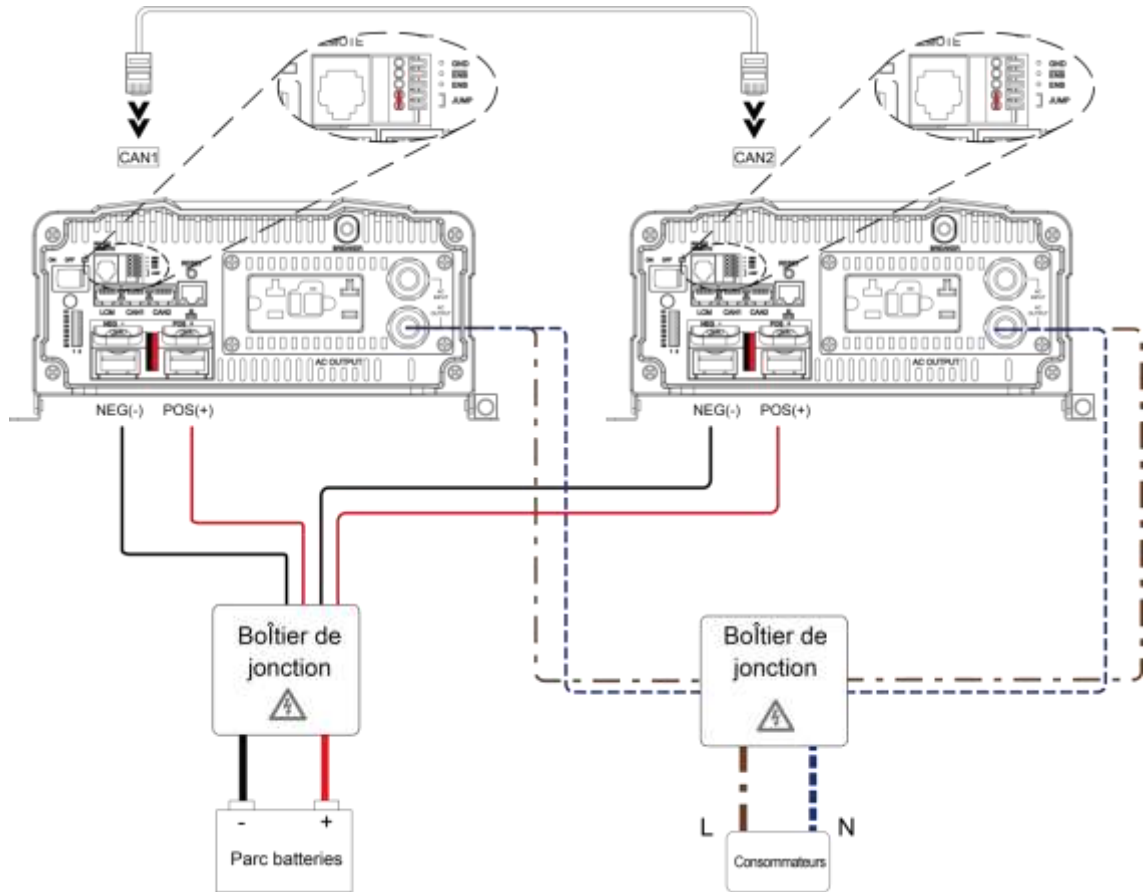


Schéma 29. Schéma de câblage_2

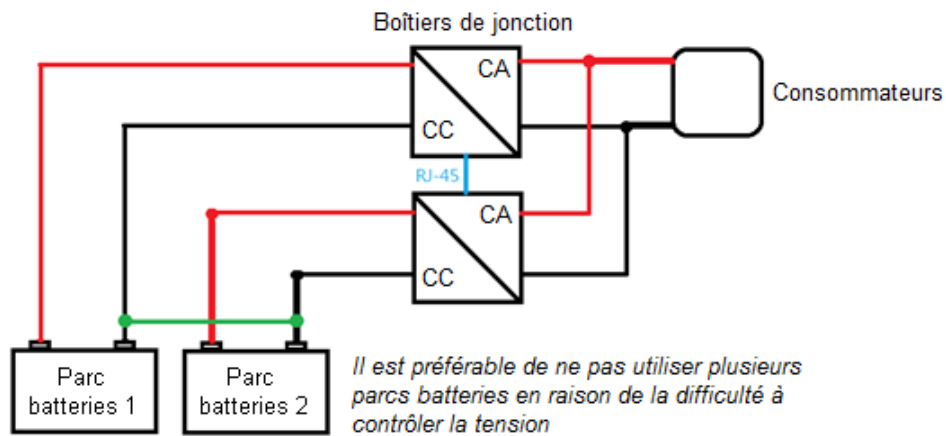


Schéma 30. Schéma de câblage_3

5-4. Connexions courant alternatif

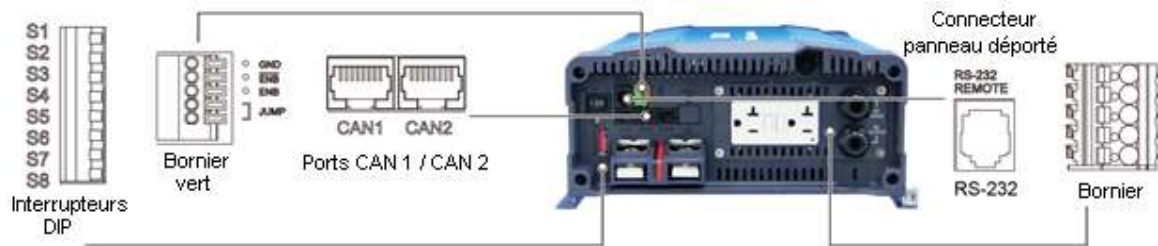


Schéma 31. Série SD – Présentation du panneau avant

【1 phase 2 fils – Schéma de câblage】

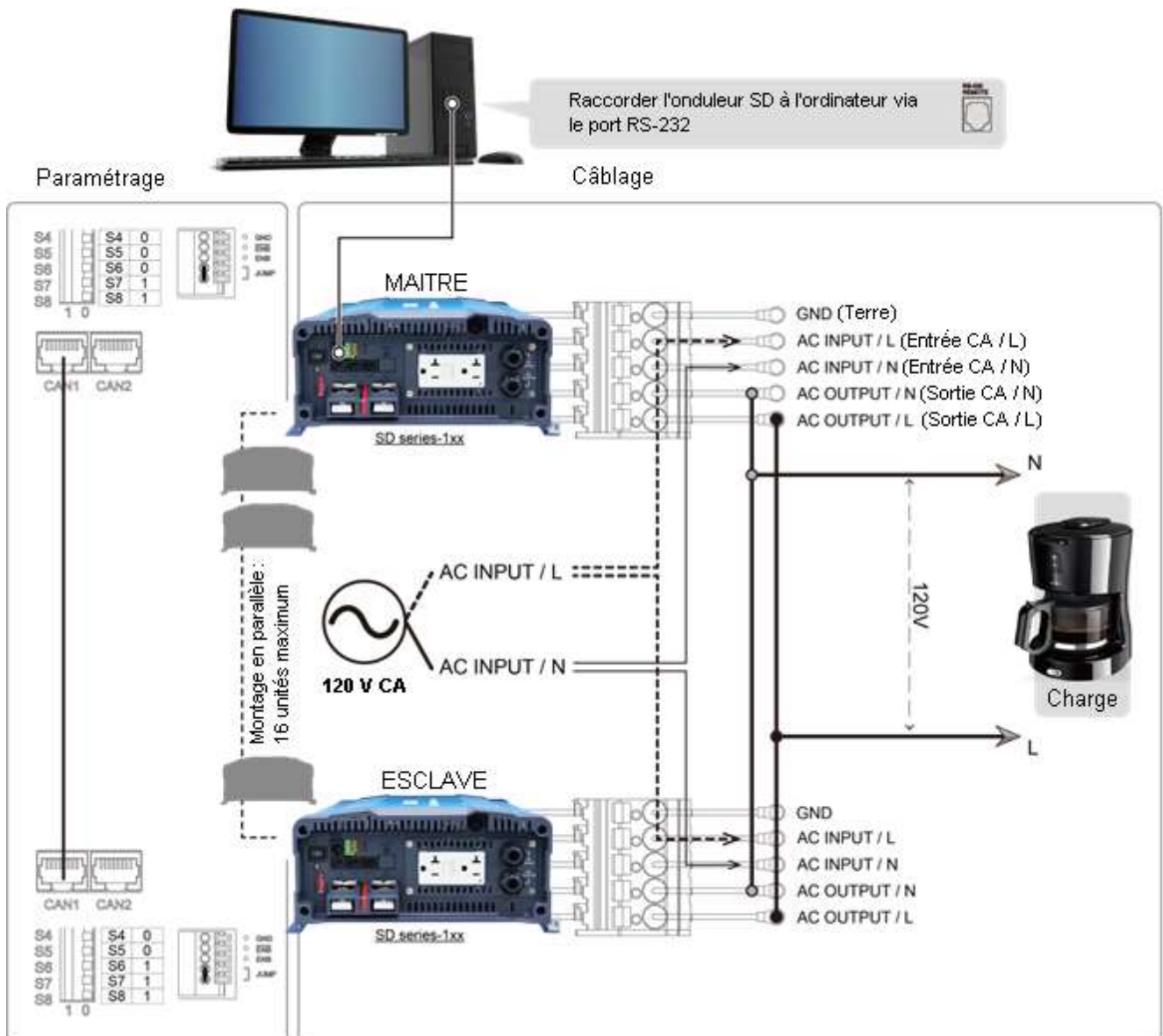


Schéma 32. 1 phase 2 fils – Câblage CA pour un montage en parallèle

【1 phase 2 fils Auto Master – Schéma de câblage】

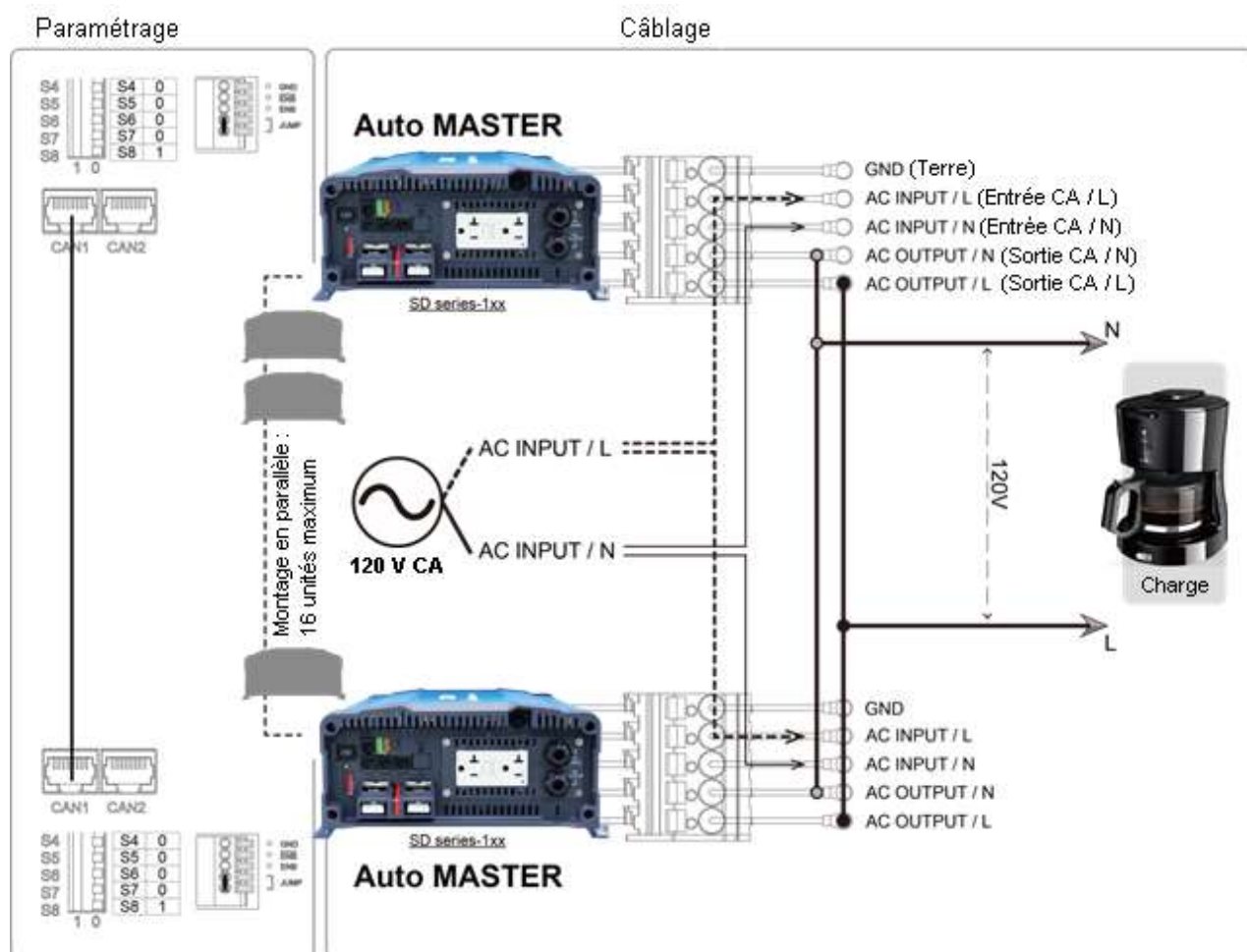


Schéma 33. 1 phase 2 fils – Câblage CA pour un montage en parallèle en mode Auto Master



Note

La reconnaissance automatique de l'onduleur maître (Auto master) peut fonctionner avec un câblage 1 phase 2 fils en paramétrant l'onduleur SD via un réseau Ethernet ou un panneau déporté type CR-10.



Note

Pour un montage en parallèle via un câblage 1 phase 2 fils, relier entre eux 5 onduleurs maximum (Max. N+1=5).



Note

Sur un montage en parallèle, le cavalier doit être paramétré sur ON sur le premier onduleur (unit 1) ainsi que sur le dernier (unit N).

【1 phase 3 fils – Schéma de câblage】

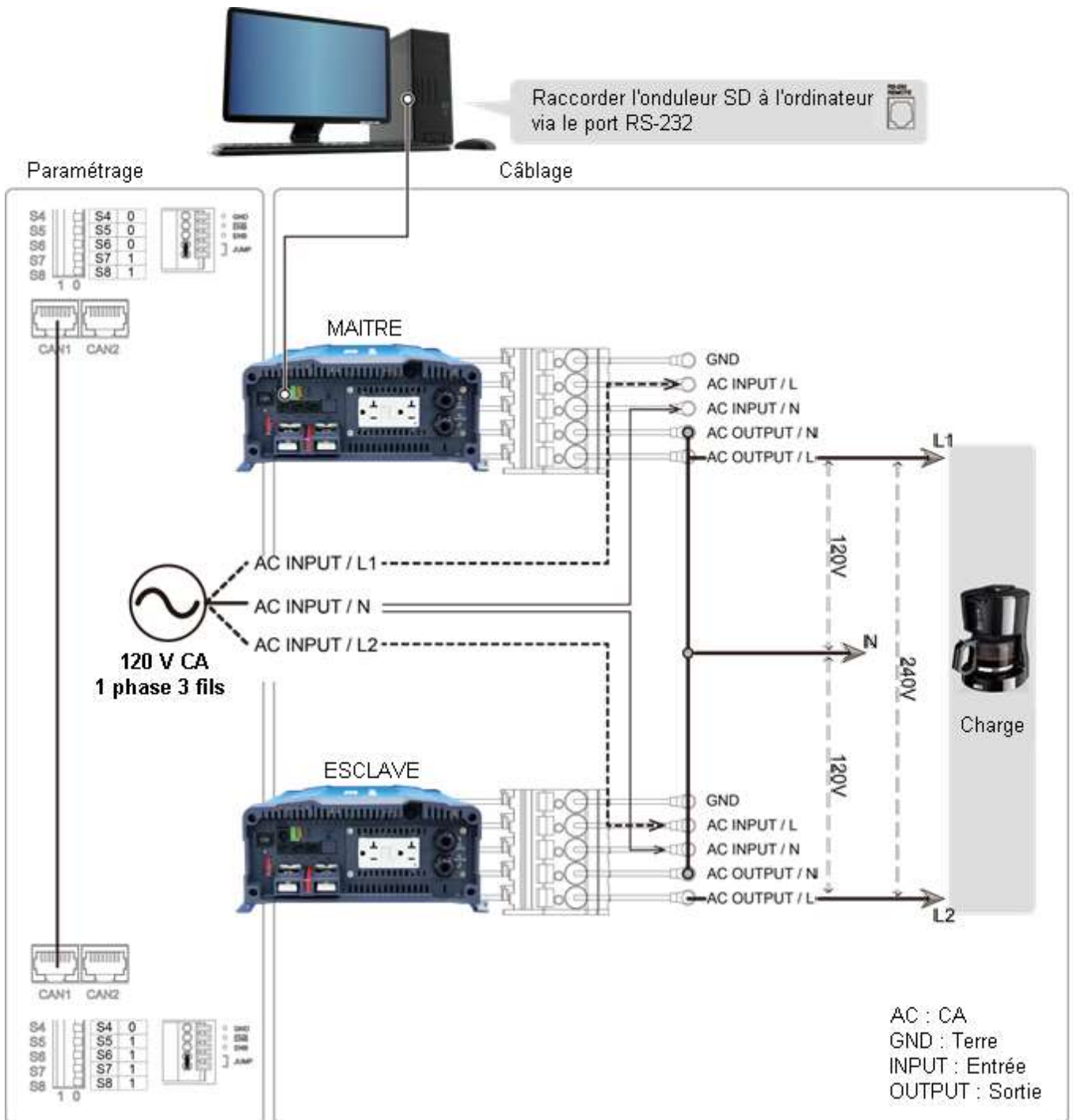


Schéma 34. 1 phase 3 fils – Câblage CA pour un montage en parallèle

[3 phases 4 fils – Schéma de câblage]

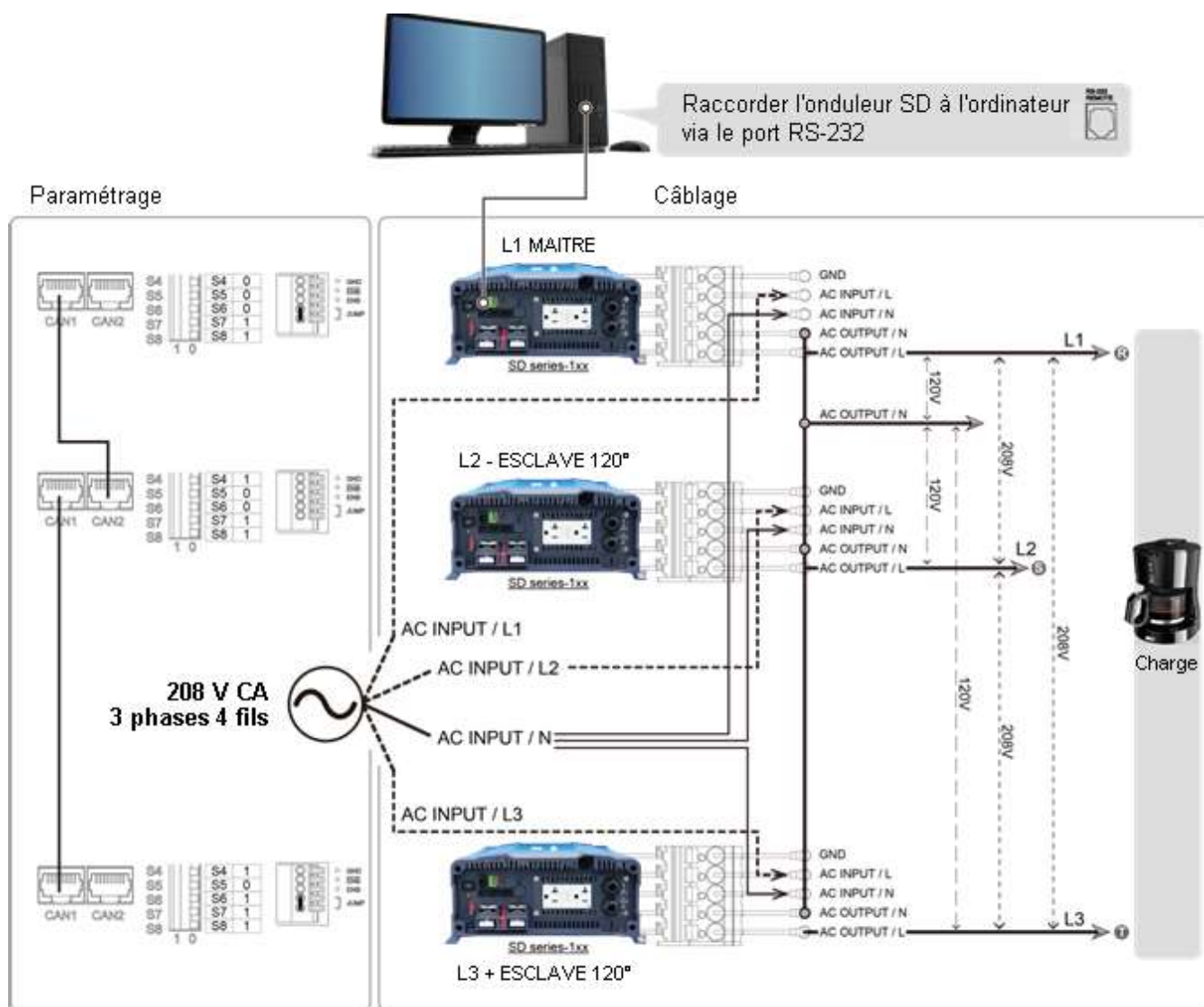


Schéma 35. 3 phases 4 fils – Câblage CA pour un montage en parallèle

Modèle	Sortie V CA	100 V	110 V	115 V	120 V	200 V	220 V	230 V	240 V
SD1500 SD2500 SD3500	L1-to-L2	173	191	199	208	346	381	398	416
	L2-to-L3	173	191	199	208	346	381	398	416
	L3-to-L1	173	191	199	208	346	381	398	416
SD1500 SD2500 SD3500	L1-to-N	100	110	115	120	200	220	230	240
	L2-to-N	100	110	115	120	200	220	230	240
	L3-to-N	100	110	115	120	200	220	230	240

Tableau 25. 3 phases 4 fils – Tensions de sortie V CA

5-5. Commande déportée des onduleurs montés en parallèle

Il y a deux manières de paramétrer la commande déportée : via le protocole RS-232 ou CAN bus.

Le protocole RS-232 n'est pas compatible avec un montage en parallèle.

Si la commande déportée est raccordée via le port RS-232, suivre les instructions de paramétrage ci-dessous.

Configuration du port RS-232 :

1. Sélectionner un onduleur SD comme maître et le configurer comme indiqué ci-dessous.

Scénario	S1	S2	S3	S4	S5	S6	S7	S8
Maître	X	X	X	0	0	0	1	X

Tableau 26. Configuration du port RS-232

2. S'assurer que le câble RS-232 est bien raccordé à l'onduleur maître.



Attention !

L'installation ne doit comporter qu'un onduleur maître.

5-6. Déposer les connexions de montage en parallèle

1. Mettre l'installation hors tension.
2. Déposer le câble RJ-45 (signal).
3. Déposer le câble de parallélisation courant alternatif.
4. Déposer le câble de parallélisation courant continu.

6. Protocole RS-232

6-1. Introduction au protocole RS-232

6-1-1. Format des commandes RS-232

Chaque commande commence par un code CR (0DH) et se termine par un code LF (0AH).

Le système ne peut interpréter et exécuter une commande qu'une fois avoir reçu ces deux codes. Il retourne alors une réponse à l'ordinateur, qui peut se présenter comme suit :

= > CR LF : Command executed successfully? > CR LF : Command error, not accepted! > CR LF : Command correct but execution error (ex : parameters out of range).

= > CR LF : Commande exécutée avec succès? > CR LF : Erreur commande, non acceptée ! > CR LF : Commande correcte mais erreur d'exécution (ex : paramètres hors limites admissibles).

Si la commande requiert des informations de la part de l'onduleur, celui-ci les envoie à l'ordinateur (en utilisant les codes CR et LF) qui retourne la trame de réponse.

6-1-2. Commandes utiles

Les onduleurs de la série SD gèrent le format de commandes suivant :

Une commande envoyée à l'onduleur doit toujours comporter un code CR (0DH) et un code LF (0AH).

Commande	Fonction	Commande	Fonction
POWER 1	Met l'onduleur en marche (On)	VINV?	Affiche la tension de sortie de l'onduleur
POWER 0	Arrête l'onduleur (Off)	IINV?	Affiche le courant de sortie de l'onduleur
*RST	Réinitialisation suite à un défaut	VGRID?	Affiche la tension du réseau
FRQ?	Affiche la fréquence de l'onduleur	VBAT?	Affiche la tension de la batterie
PINV?	Affiche la puissance de l'onduleur		

Tableau 27. Commandes du protocole RS-232

NB : en mode parallèle (plusieurs onduleurs raccordés entre eux), les commandes du protocole RS232 ne sont disponibles que si le câble RS232 est raccordé à l'onduleur maître. Pour les connexions, merci de vous reporter au schéma 27.

6-1-3. Fonctions de paramétrage

< Code Fonction >	Paramètre	
FUNC0	OVP Setting	Coupure tension haute
FUNC1	OVP Recovery	Reprise suite tension haute
FUNC2	UVP Setting	Coupure tension basse
FUNC3	UVP Recovery	Reprise suite tension basse
FUNC4	UV Alarm	Alarme tension basse
FUNC5	O/P Voltage	Tension de sortie
FUNC6	RS-232 Baud Rate	Débit en bauds, port communication RS-232
FUNC7	O/P Frequency	Fréquence de sortie
FUNC8	Sync Frequency	Synchronisation de fréquence
FUNC9	Overload Alarm	Alarme surcharge
FUNC10	Shut-down Retry	Tentative de redémarrage après coupure
FUNC11	Saving Level	Seuil du mode économie d'énergie en %
FUNC12	Saving Interval	Temporisation mode économie d'énergie
FUNC13	Bypass relay	Bypass du relais
FUNC14	LCD Contrast	Contraste afficheur LCD
FUNC15	LCD Auto-Off	Veille automatique afficheur LCD
FUNC16	Buzzer Setting	Paramétrage de l'alarme sonore
FUNC17	Alert Setting	Alarme sonore
FUNC18	Language	Choix de la langue

Tableau 28. Fonctions et paramètres correspondants

1. Sélectionner un menu de paramétrage via les codes des fonctions :
Format : FUNC <code de la fonction>
Après validation, le menu correspondant s'affiche sur l'écran de l'ordinateur.
2. Afficher le code d'une fonction :
Format : FUNC?
Après validation, le numéro correspondant s'affiche sur l'écran de l'ordinateur.
3. Afficher un paramètre :
Format : SETT?
Après validation, la valeur du paramètre s'affiche sur l'écran de l'ordinateur.
4. Définir ou modifier un paramètre :
Format SETT <valeur>
Après validation, la valeur est affectée au paramètre.

6-1-4. Détails des paramètres

1. <FUNC0> – OVP Setting – Coupure tension haute

Valeur par défaut : 16 V CC @ 12 V – 32 V CC @ 24 V – 64 V CC @ 48 V

Modèle	Plage de valeurs admissibles
12 V	15 V CC – 16 V CC
24 V	30 V CC – 32 V CC
48 V	60 V CC – 64 V CC

Tableau 29. Coupure tension haute <FUNC0>

2. <FUNC1> – OVP Recovery – Reprise tension haute

Valeur par défaut : 15 V CC @ 12 V – 30 V CC @ 24 V – 60 V CC @ 48 V

Modèle	Plage de valeurs admissibles
12 V	13 V CC – 15 V CC
24 V	26 V CC – 30 V CC
48 V	52 V CC – 60 V CC

Tableau 30. Reprise tension haute <FUNC1>

3. <FUNC2> – UVP Setting – Coupure tension basse

Valeur par défaut : 10 V CC @ 12 V – 20 V CC @ 24 V – 40 V CC @ 48 V

Modèle	Plage de valeurs admissibles
12 V	10 V CC – 11 V CC
24 V	20 V CC – 22 V CC
48 V	40 V CC – 44 V CC

Tableau 31. Coupure tension basse <FUNC2>

4. <FUNC3> – UVP Recovery – Reprise tension basse

Valeur par défaut : 12,5 V CC @ 12 V – 30 V CC @ 24 V – 50 V CC @ 48 V

Modèle	Plage de valeurs admissibles
12 V	11,5 V CC – 13,5 V CC
24 V	23 V CC – 27 V CC
48 V	46 V CC – 54 V CC

Tableau 32. Reprise tension basse <FUNC3>

5. <FUNC4> – UV Alarm – Alarme sonore tension basse

Valeur par défaut : 10,5 V CC @ 12 V – 21 V CC @ 24 V – 42 V CC @ 48 V

Modèle	Plage de valeurs admissibles
12 V	10,5 V CC – 11,5 V CC
24 V	21 V CC – 23 V CC
48 V	42 V CC – 46 V CC

Tableau 33. Alarme sonore tension basse <FUNC4>



Note

La valeur du paramètre Alarme tension basse (UV Alarm) doit être égale ou supérieure à la valeur du paramètre Coupure tension basse (UVP) sinon l'appareil s'éteindra sans avoir émis d'alarme sonore.

6. <FUNC5> – O/P Voltage – Tension de sortie

Valeur par défaut : 110 V CA @ 110 V – 230 V CA @ 230 V

Modèle	Plage de valeurs admissibles
110 V	97 V CA – 123 V CA
230 V	194 V CA – 245 V CA

Tableau 34. Tension de sortie <FUNC5>

7. <FUNC6> – RS-232 Baud rate – Débit en bauds port communication RS-232

Valeur par défaut : 4800 bauds

Paramètre	SETT<value>	
RS-232 Baud rate	0	1200
	1	2400
	2	4800
	3	9600
	4	19200

Tableau 35. Débit en bauds port RS-232 <FUNC6>

8. <FUNC7> – O/P Frequency – Fréquence de sortie

Valeur par défaut : 60 Hz @ 110 V – 50 Hz @ 230 V

Modèle	Plage de valeurs admissibles
110 V	47 Hz – 63 Hz
230 V	47 Hz – 63 Hz

Tableau 36. Fréquence de sortie <FUNC7>

9. <FUNC8> – Sync Frequency – Synchronisation de fréquence

Valeur par défaut : 7 Hz

En cas de dysfonctionnement du groupe électrogène. Le signal de sortie (fréquence trop basse) est utilisé en tant que source courant alternatif, la plage de fréquences de l'entrée CA peut être élargie.

Exemple 1 :

Entrée CA 230 V CA / 50 Hz – Valeur du paramètre : 7 Hz

Lorsque la fréquence de sortie de l'onduleur SD est comprise entre 43 Hz et 57 Hz, le relais de transfert ferme le circuit. Lorsqu'elle est inférieure à 43 Hz ou supérieure à 57 Hz, le relais maintient le circuit ouvert.

Exemple 2 :

Valeur du paramètre : désactivé (Disable)

Si la fréquence de sortie de l'onduleur est comprise entre 47 Hz et 63 Hz, le relais de transfert ferme le circuit.

Modèle	Plage de valeurs admissibles
110 V	0 Hz – 7 Hz
230 V	0 Hz – 7 Hz

Tableau 37. Synchronisation de fréquence <FUNC8>

10. <FUNC9> – Overload Alarm – Alarme surcharge

Valeur par défaut : 104 %

Plage de valeurs admissibles : 50 % - 110 %

Lorsque le courant de sortie est supérieur à la valeur paramétrée, l'onduleur SD émet une alarme sonore pour prévenir de son arrêt imminent. Au même moment, le relais interne à contact sec s'ouvre / se ferme.

11. <FUNC10> – Shut-down Retry – Tentative de redémarrage après arrêt

Valeur par défaut : 5

Plages de valeurs admissibles : 0 - 15

Lorsque l'onduleur a été arrêté (coupure tension haute / basse, surcharge ou court-circuit), il va automatiquement tenter de redémarrer le nombre de fois sélectionné.

Protection	Redémarrage	Plage de valeurs admissibles
<ul style="list-style-type: none"> • OLP (surcharge) • Court-circuit 	5 tentatives après arrêt	0~15 fois
<ul style="list-style-type: none"> • OVP (tension haute) • UVP (tension basse) 	Automatique	N/A

Tableau 38. Redémarrage après arrêt <FUNC10>

12. <FUNC11> – Saving Level – Seuil de basculement en mode économie d'énergie

Valeur par défaut : 0

Plage de valeurs admissibles : 3 – 7

Paramètre	État
0	Défaut
3	4 %
4	5 %
5	6 %
6	7 %
7	8 %

Tableau 39. Seuil de basculement en mode éco <FUNC11>

13. <FUNC12> – Saving Interval – Temporisation mode économie d'énergie

Valeur par défaut : 2,0 secondes

Plage de valeurs admissibles : 1.0 s – 2.0 s

Lorsqu'il est en mode veille, l'onduleur SD vérifie régulièrement la charge, si elle est trois fois présente et supérieure au seuil, il sort du mode économie d'énergie.

14. <FUNC13> – Bypass Relay – Mode de commutation du relais

Valeur par défaut : Normal (Off-line)

Valeurs possibles : On-line ou Off-line (Exacting, Normal, Haphazard)

Mode	Valeur	Relais
Au hasard	0	Le relais commute (ON ou OFF) sans tenir compte de la phase ni de la synchronisation de fréquence.
Normal	1	Le relais de transfert commute sur ON lorsque le réseau (CA) est disponible. L'onduleur reste synchronisé et est alimenté par le réseau. Il ne commute pas sur OFF si la fréquence est au-delà de la plage de synchronisation de fréquence paramétrée.
Concordant	2	Le relais commute sur On ou OFF si la valeur de la phase et de la fréquence sont identiques.
On-line	3	L'onduleur est toujours alimenté par la batterie. Il bascule sur le réseau uniquement en cas de tension basse (UVP).

Tableau 40. Mode de commutation du relais <FUNC13>

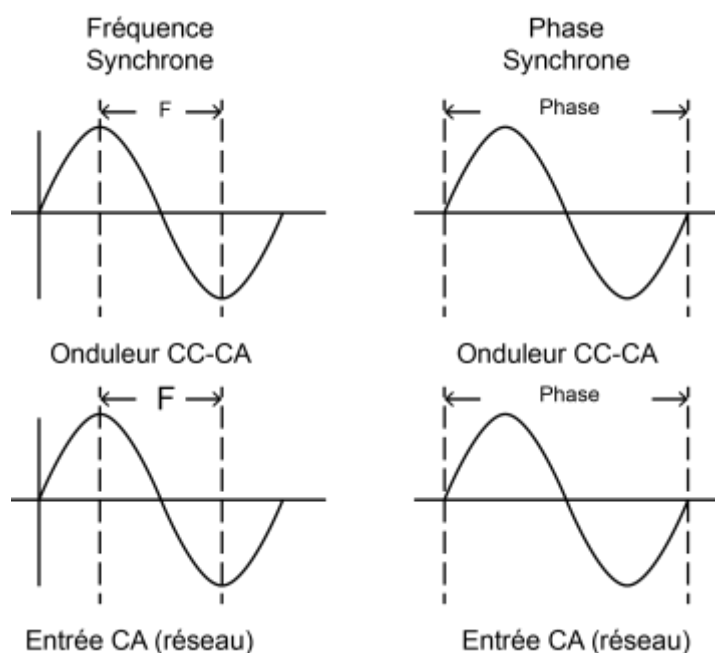


Schéma 36. Fréquence et phase synchronisées

Temps de commutation		
Mode de commutation	ATS	STS*
Au hasard	Onduleur-Consommateur CA : 8-10 ms Consommateur CA-onduleur : 16-50 ms	Si synchronisation : < 4 ms Sans synchronisation : Onduleur-Consommateur CA : < 4 ms Consommateur CA-onduleur : 16-50 ms
Normal	Onduleur-Consommateur CA : 8-10 ms Consommateur CA-onduleur : 16-25 ms	< 4 ms
Concordant	Onduleur-Consommateur CA : 8-10 ms Consommateur CA-onduleur : 16-50 ms	Onduleur-Consommateur CA : < 4 ms Consommateur CA-onduleur : 16-50 ms
On-line	Onduleur-Consommateur CA : 8-10 ms Consommateur CA-onduleur : 16-25 ms	< 4 ms

* Modèles SD2500 / SD3500 uniquement.

Tableau 41. Série SD – Temps de commutation

15. <FUNC14> – LCD Contrast – Contraste afficheur LCD

Valeur par défaut : 50 %

Plage de valeurs admissibles : 0 % - 100 %

Paramètre	SETT <value>
LCD Contrast	0 - 100

Tableau 42. Contraste afficheur LCD <FUNC14>

16. <FUNC15> – LCD Auto-Off – Veille automatique afficheur LCD

Valeur par défaut : 120 secondes

Plage de valeurs admissibles : 0 – 120 secondes

Paramètre	SETT <value>
LCD Auto-Off	0 - 120

Tableau 43. Veille automatique afficheur LCD <FUNC15>

17. <FUNC16> – Buzzer Setting – Paramétrage de l’alarme sonore

Valeur par défaut : MSG, Alert, SHDN

Message, alarme sonore, extinction

Plage de valeurs admissibles : 0 – 7

Paramètre	SETT <value>	Buzzer
Buzzer Setting	0	Désactivé
	1	SHDN
	2	Alert
	3	Alert, SHDN
	4	MSG
	5	MSG, SHDN
	6	MSG, Alert
	7	MSG, Alert, SHDN

Tableau 44. Paramétrage de l’alarme sonore <FUNC16>

18. <FUNC17> – Alert Setting – Paramétrage du relais

En situation d’alarme, le relais interne à contact sec se ferme / s’ouvre.

Valeur par défaut : Alert, SHDN

Alarme sonore, extinction

Plage de valeurs admissibles : 0 – 3

Paramètre	SETT (RS-232)	Alert (LCD)
Buzzer Setting	0	Désactivé
	1	SHDN
	2	Alert
	3	Alert, SHDN

Tableau 45. Paramétrage du relais <FUNC17>

19. <FUNC18> – Language – Choix de la langue

Valeur par défaut : English (Anglais)

Choix possibles : English, Italian, Spanish, French, German

Anglais, Italien, Espagnol, Français, Allemand

Paramètre	SETT <value>
English	0
Italian	1
Spanish	2
French	3
German	4

Tableau 46. Choix de la langue <FUNC18>

7. Recherche de pannes

Problème	Cause possible	Solution
Pas de courant en sortie - Cet état allume le voyant en rouge		
A. Clignotement rapide	Surtension en entrée (OVP)	Vérifier la tension d'entrée et la réduire
B. Clignotement lent	Sous-tension en entrée (UVP)	Recharger la batterie. Vérifier les connexions et le câble
C. Clignotement intermittent	Coupure de surchauffe (OTP)	Améliorer la ventilation. S'assurer que les grilles d'aération de l'onduleur ne sont pas obstruées. Réduire la température ambiante
D. Allumé fixe	Court-circuit ou erreur de câblage. Surcharge (OLP)	Rechercher s'il y a un court-circuit sur le câblage CA. Réduire la charge

Tableau 47. Série SD – Recherche de pannes

8. Garantie

Nous garantissons que ce produit est exempt de défauts de matériel ou de main-d'œuvre pour une durée de 24 mois à compter de la date d'achat. Merci de contacter votre revendeur pour l'obtention d'une autorisation de retour. COTEK s'assure que les produits sont opérationnels avant de les expédier et la garantie ne s'applique que pour des défauts survenant sous des conditions normales d'utilisation, après expertise de ses techniciens. Cette garantie est considérée comme nulle dans les cas suivants :

- (a) utilisation abusive, utilisation non conforme, négligence (choc, humidité), tension d'alimentation inappropriée, incidents dus à de l'air/de l'eau pollués, catastrophe naturelle.
- (b) Numéro de série modifié, effacé ou enlevé.

COTEK

No. 33, Sec. 2, Renhe Rd., Daxi Dist., Taoyuan City 33548, Taiwan

Phone : +886-3-3891999 FAX : +886-3-3802333

[http : // www.cotek.com.tw](http://www.cotek.com.tw)

2021.03