



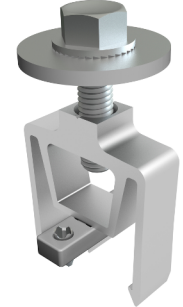
SunTurf System Parts Guide

SMR300 Rail **A20444-xxx**



P/N	Description
A20444-174/212-ML	SMR300, 174"/212", Mill Finish
A20445-001	SMR300 Rail End Cap

SMR Mid Clamp



C MP-M -SMR-S

P/N	Description
K10417-003/004	Mid Clamp, SMR Pop-On

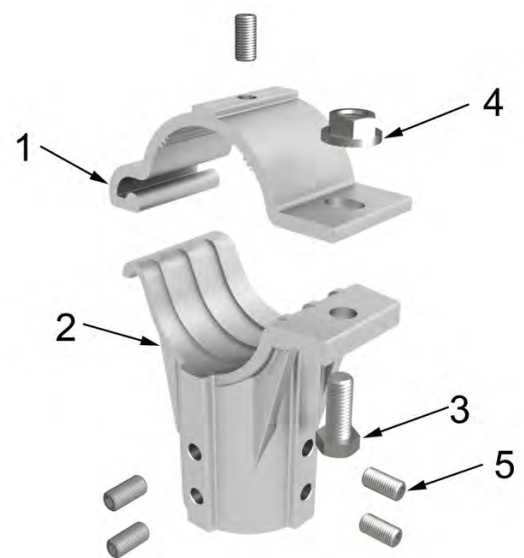
605 (Q & ODPS) % RWRP & ODPS

P/N	Description
605	SMR Grounding Lug

605 *URXQGLXJ / *51' 605

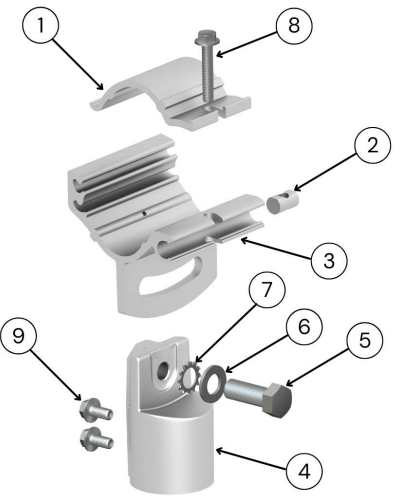
P/N	Description	Note
605	SMR Grounding Lug	1 per array up to 30 amps max

Pipe T-Cap **P PECAP-25**



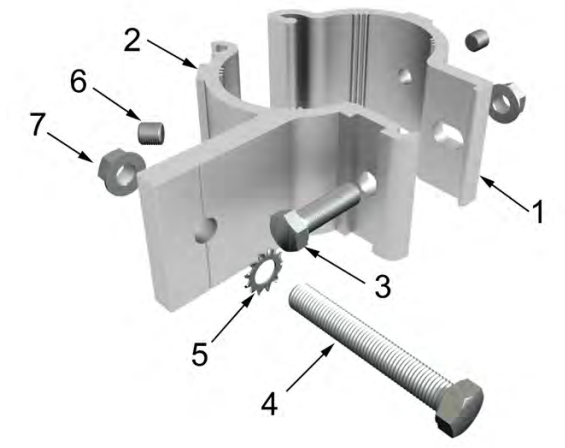
Part	P/N	Description	QTY
1	A20326-001	2.5" Pipe Tee, Male	1
2	A20327-002	2.5" Pipe Tee, Female	1
3	B15014-005	Hex Cap Screw 1/2-13 X 1.25", 304 SS	1
4	B15020-001	Flange Nut 1/2-13	1
5	B10001-001	Set Screw M10X20	5

Swivel Pipe Cap **P PEC P-25-S E**



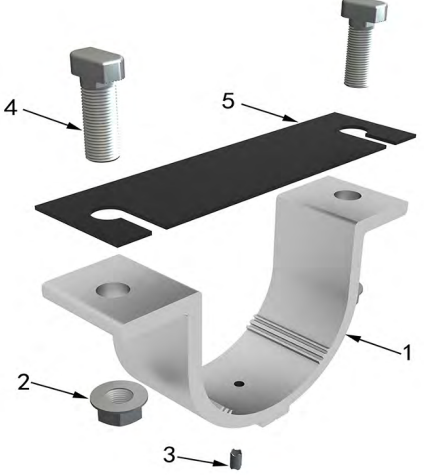
Part	P/N	Description	QTY
1	A20326-001	2.5" Pipe Tee, Male	1
2	A20327-002	2.5" Pipe Tee, Female	1
3	B15014-005	Hex Cap Screw 1/2-13 X 1.25", 304 SS	1
4	B15020-001	Flange Nut 1/2-13	1
5	B10001-001	Set Screw M10X20	5

2" Pipe Clamp **CLMP-P PE-20**
2.5" Pipe Clamp **CLMP-P PE-25**



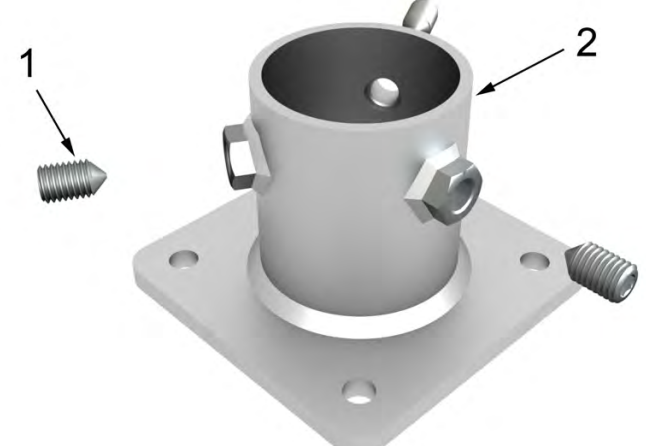
Part	P/N	Description	QTY
1	A20235-001/A20238-001	2" Pipe Clamp Male/ 2.5" Pipe Clamp Male	1
2	A20236-001/A20239-001	2" Pipe Clamp Female/ 2.5" Pipe Clamp Female	1
3	B15018-002	Hex Cap Screw 3/8-16 X 1.25"	1
4	B15018-004	Hex Cap Screw 3/8-16 X2.5"	1
5	B15048-001	Star Washer for 3/8 Bolt	1
6	B10001-002	Set Screw M10X10	2
7	B15003-001	Flange Nut 3/8-16	2

Pipe U-Clamp




Part	P/N	Description	QTY
1	A20229-001	2.5" Pipe U-Clamp	1
2	B10029-001M	Hex Flange Nut M10	2
3	B20018-002	Grounding Pin	1
4	B50031-001	T-bolt M10X25	2
5	C10005-006	PVC Gasket T=1.5mm	1

Post Base Plate **BASE-P PE-20**



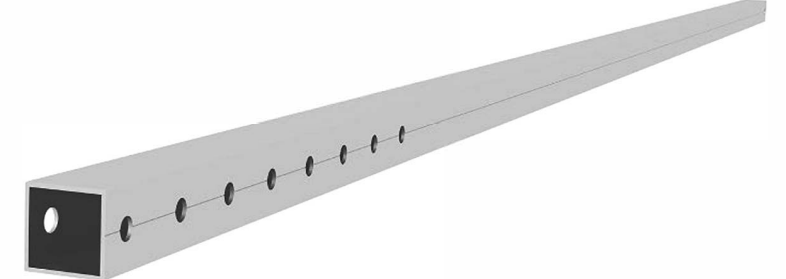
Part	P/N	Description	QTY
1	A21120-005	2" Galvanized Pipe Base	1
2	B10053-001	Conical Set Screw M12X20	3

Pipe Splice



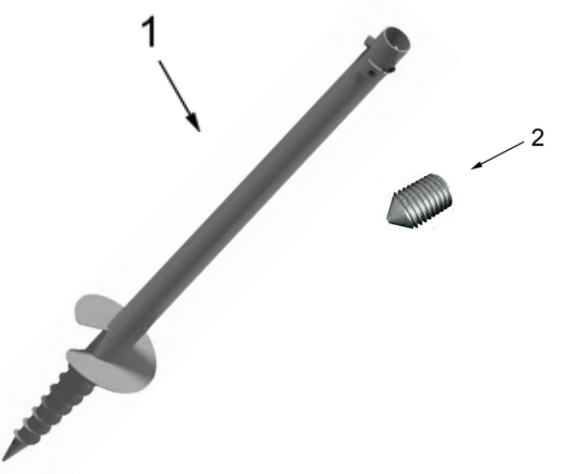
Part	P/N	Description	QTY
1	A20235-001/A20238-001	2" Pipe Clamp Male/ 2.5" Pipe Clamp Male	1
2	A20236-001/A20239-001	2" Pipe Clamp Female/ 2.5" Pipe Clamp Female	1
3	B15018-002	Hex Cap Screw 3/8-16 X 1.25"	1
4	B15018-004	Hex Cap Screw 3/8-16 X2.5"	1
5	B15048-001	Star Washer for 3/8 Bolt	1
6	B10001-002	Set Screw M10X10	2
7	B15003-001	Flange Nut 3/8-16	2

Diagonal Brace **BRACE-TUBE-XXX**



P/N	Description
BRACE-TUBE-XXX	Diagonal Brace

79" Helical Anchor **HEL CAL-79**




Part	P/N	Description	QTY
1	HEL CAL-79	Helical Anchor, 79"	1
2	B10055-001	Set Screw, Cone Tip, M16 x 25mm, 304 SS	3

Ground Screw, 63" **GRSCREW-63**
Ground Screw, 80" **GRSCREW-80**



Part	P/N	Description	QTY
1	GRSCREW-63/80	Ground Screw, 63"/80"	1
2	B10055-001	Set Screw, Cone Tip, M16 x 25mm, 304 SS	3

2" Vertical Pipe **P PE-20-XXX**
2.5" Horizontal Pipe **P PE-25-112**



P/N	Description
P PE-20-XXX	2" HSS Pipe
P PE-25-112	2.5" HSS Pipe

Microinverter Kit **MLPE-SMR**



P/N	Description
MLPE-SMR	SMR Microinverter Kit