



TS4-A-2F

Module-level PV Rapid Shutdown for Two Modules

The TS4-A-2F (Fire Safety) is the advanced add-on rapid shutdown solution that brings smart module functionality to standard PV modules for higher reliability. Ensure safety by upgrading existing PV systems or by adding safety features to new installations.

The TS4-A-2F complies with NEC 2017 & 2020 690.12 Rapid Shutdown specifications when installed with the Tigo RSS Transmitter or an inverter with built-in Tigo certified transmitter.

Included Features



Fire Safety

Enhanced **safety** for NEC 690.12 rapid shutdown compliance

Easy Installation

Snap to standard module frame or remove brackets for rack mounting

PLC Signaling

Control rapid shutdown with the Tigo RSS Transmitter

Automatic Shutdown

PV array enters rapid shutdown in event of AC grid loss



TS4-A-2F SPECIFICATIONS

Environmental

Operating Temperature Range -30°C to +70°C (-22°F to +158°F)

Outdoor Rating IP68, NEMA 3R

Mechanical

Dimensions 138.4mm x 139.7mm x 22.9mm

Weight 590g

Electrical

Max Input Voltage (V_{oc} @ Lowest Temperature) 80V

Input Voltage Range (per input) 16 - 80V

Maximum Output Voltage 160V (80V per input)

Maximum Current (per input) 15A

Maximum Power (total) 1000W

Cable Lengths (in/out) 0.12 and 0.2m/2.2m (standard)
1.2 and 1.3m/ 2.4m (optional)

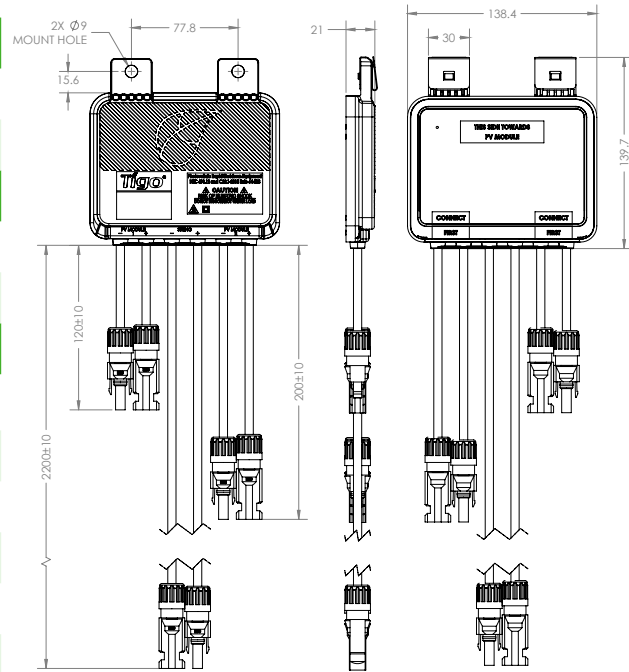
Connectors MC4 (standard), EVO2 (optional)

Communication Type PLC

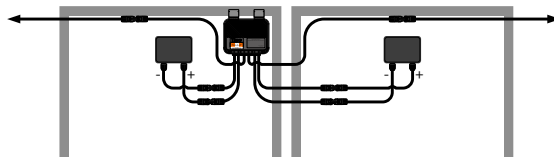
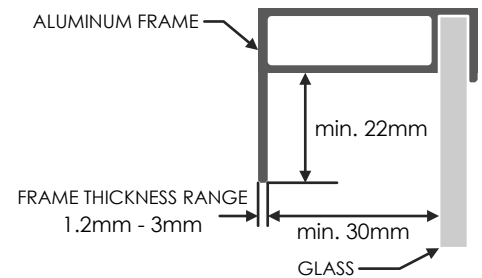
Rapid Shutdown UL Listed (NEC 2017 & 2020 690.12) Yes

Rapid shutdown activation of TS4-A-2F requires RSS Transmitter.

*Maximum output voltage of the TS4 is dependent on the PV module voltage. Refer to PV modules nameplate



Module frame specifications for mounting TS4-A



Installation example: Serial connection of two PV modules to a TS4-A-2F

ORDERING INFORMATION

Standard

484-00252-22 1500V UL / 1000V IEC, 0.12/0.2/2.2m cable, MC4

Optional

484-00252-24 1500V UL / 1000V IEC, 1.2/1.3/2.4m cable, MC4

484-00261-22 1500V UL / IEC, 0.12/0.2/2.2m cable, EVO2

484-00261-24 1500V UL / IEC, 1.2/1.3/2.4m cable, EVO2



Photovoltaic Rapid Shutdown System Equipment, QIJJ



For sales info:

sales@tigoenergy.com or 1.408.402.0802

For product info:

Visit tigoenergy.com/products

For technical info:

Visit support.tigoenergy.com

For additional info and product selection assistance, use Tigo's online design tool at tigoenergy.com/design



Tigo TS4-A-2F