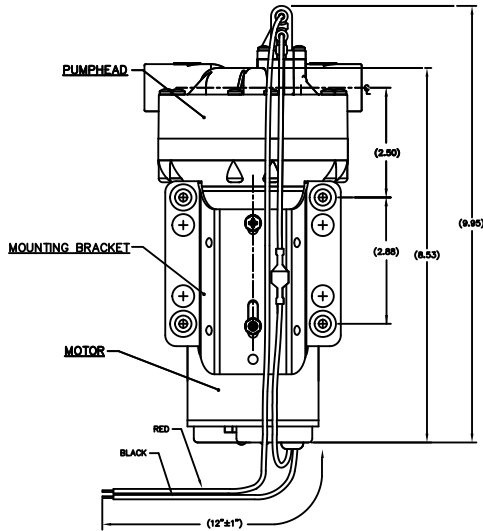
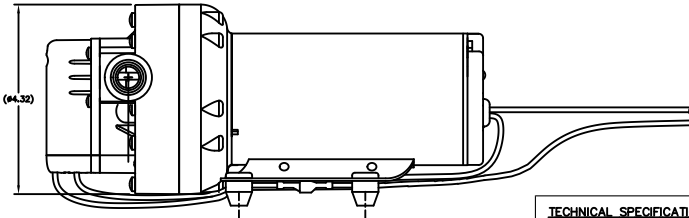
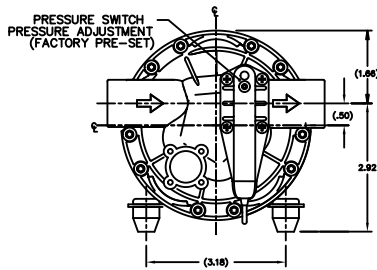


THE INFORMATION CONTAINED HEREON IS PROPRIETARY AND CONFIDENTIAL TO AQUATEC WATER SYSTEMS, INC. AND SHALL NOT BE USED OR DISCLOSED IN WHOLE OR IN PART WITHOUT FIRST OBTAINING THE WRITTEN PERMISSION OF AQUATEC WATER SYSTEMS, INC.

REVISIONS				
REV	DESCRIPTION	DATE	DRAWN	APPROVED



PRESSURE PSI	FLOW GPM	AMPS
0	5.15	3.00
10	4.80	3.20
20	4.45	4.30
40	3.75	6.10

TECHNICAL SPECIFICATIONS

GENERAL DESCRIPTION:

FIVE CHAMBER, POSITIVE DISPLACEMENT DIAPHRAGM PUMP.
SELF PRIMING, INTERMITTENT DUTY (WET OR DRY),
PERMANENT MAGNET MOTOR.

MECHANICAL AND HYDRAULIC SPECIFICATIONS:

1. HYDRAULIC SPECIFICATIONS: 40 PSI (2.7 BAR) @ 3.75 GPM +/- 10 %
2. SWITCH SETTING: 80 PSI (4 BAR).
3. PRIMING: 8 FEET
4. LIQUID TEMPERATURE NOT TO EXCEED 140F.

ELECTRICAL & SAFETY DETAILS:

1. VOLTAGE: 24 VDC
2. AMPERAGE: 7.8 AMPS @ 60 PSI (4 BAR).
3. MOTOR TYPE: PERMANENT MAGNET DC, TOTALLY ENCLOSED
4. LEADS: 14 AWG, SINGLE CONDUCTOR, RED/BLACK
5. DUTY CYCLE: INTERMITTENT
6. MOTOR INSULATION CLASS: CLASS F

MATERIAL SPECIFICATIONS:

HOUSINGS: NYLON
VALVES: EPDM
DIAPHRAGM: SANTOPRENE
PUMP HEAD FASTENERS: CARBON STEEL & STAINLESS STEEL.

OTHER SPECIFICATIONS:

1. BALL BEARINGS IN REAR END BELL AND FRONT END BELL.
2. PRIVATE LABEL TO SPECIFY MODEL #, SERIAL #, AND MFG DATE.
3. PACKAGING: SINGLE PACK 4 / CASE
4. WEIGHT: APPROXIMATELY 8 LBS.
5. PORTS: 1/2" FEMALE NPT THREAD.
6. SEALED MOTOR

UNLESS OTHERWISE SPECIFIED
DIMENSIONS ARE IN INCHES AT 60°F
TOLERANCES ARE:
FRACTIONS: DECIMALS: ANGLES:
±1/64 .1 ±.005 ±1/2°
±.001 .001 ±.005

MATERIAL	N/A
FINISH	N/A
APPROVALS	DATE
DRAWN	6/29/22
DESIGNED	
CHECKED	
SHEET	1 OF 1

AQUATEC WATER SYSTEMS INC.
17422 Pullman St., Irvine, Ca. 92614

**SPECIFICATION DRAWING,
DIAPHRAGM PUMP,
5518-1EM1-M378**

CAD# 5518-1EM1-M378

PRODUCT CODE

NEXT ASSY USED ON APPLICATION

© CONCENTRICITY .005 TIR,
1. PERPENDICULARITY .005/INL
AVAILABLE FOR CHAMPS & CHAMPS 42"
INLET RAD. .010 TO .020
BREAK CORNERS .005 TO .010 R. OR CHAMP
PUSH IN 150 MICRO IN. PLS. AND BELL

GEOMETRIC SYMBOLS
PER ANSI-Y14.5

DO NOT SCALE DRAWING

SIZE	SCALE	PART/DWG NO.	REV
B	NONE	5518-1EM1-M378	