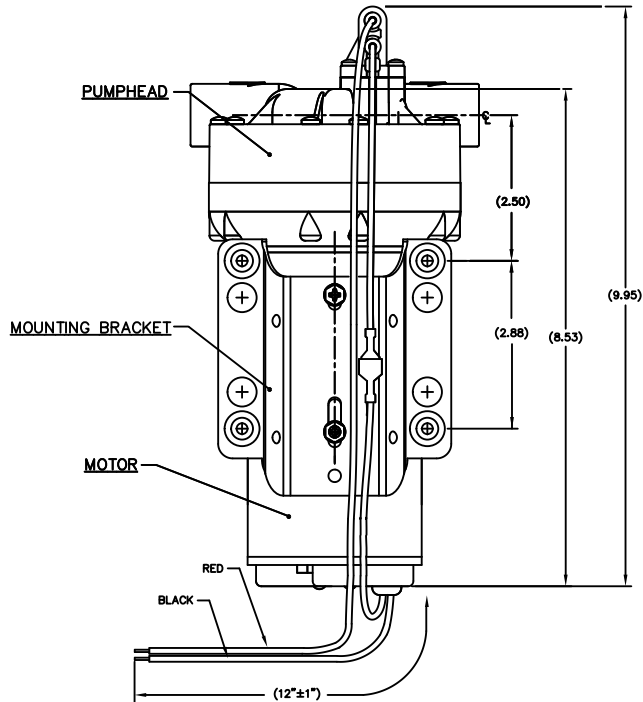
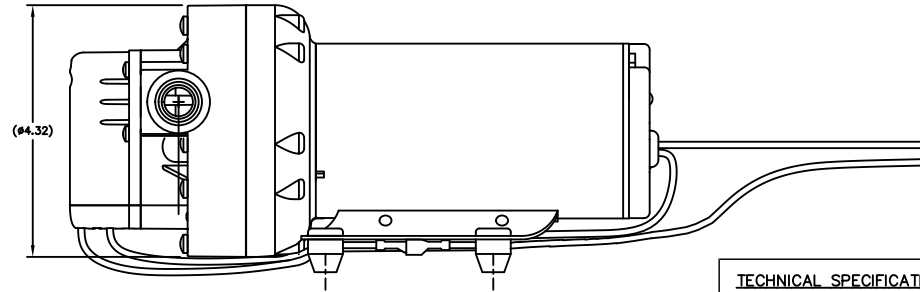
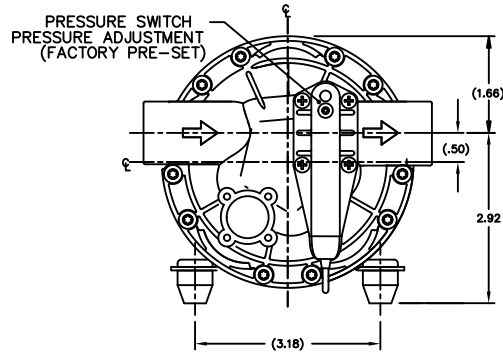


THE INFORMATION CONTAINED HEREON IS PROPRIETARY AND CONFIDENTIAL TO AQUATEC WATER SYSTEMS, INC. AND SHALL NOT BE USED OR DISCLOSED IN WHOLE OR IN PART WITHOUT FIRST OBTAINING THE WRITTEN PERMISSION OF AQUATEC WATER SYSTEMS, INC.

REVISIONS				
REV	DESCRIPTION	DATE	DRAWN	APPROVED



PRESSURE PSI	FLOW GPM	AMPS
0	5.30	5.50
10	4.90	7.00
20	4.50	9.00
40	3.80	13.0

TECHNICAL SPECIFICATIONS

GENERAL DESCRIPTION:

FIVE CHAMBER, POSITIVE DISPLACEMENT DIAPHRAGM PUMP.
SELF PRIMING, INTERMITTENT DUTY (WET OR DRY),
PERMANENT MAGNET MOTOR.

MECHANICAL AND HYDRAULIC SPECIFICATIONS:

1. HYDRAULIC SPECIFICATIONS: 40 PSI (2.7 BAR) @ 3.8 GPM +/- 10 %
2. SWITCH SETTING: 60 PSI (4 BAR).
3. PRIMING: 6 FEET
4. LIQUID TEMPERATURE NOT TO EXCEED 140F.

ELECTRICAL & SAFETY DETAILS:

1. VOLTAGE: 12 VDC
2. AMPERAGE: 17 AMPS @ 60 PSI (4 BAR).
3. MOTOR TYPE: PERMANENT MAGNET DC, TOTALLY ENCLOSED
4. LEADS: 14 AWG, SINGLE CONDUCTOR, RED/BLACK
5. DUTY CYCLE: INTERMITTENT
6. MOTOR INSULATION CLASS: CLASS F

MATERIAL SPECIFICATIONS:

HOUSINGS: NYLON
VALVES: EPDM
DIAPHRAGM: SANTOPRENE
PUMP HEAD FASTENERS: CARBON STEEL & STAINLESS STEEL.

OTHER SPECIFICATIONS:

1. BALL BEARING IN REAR END BELL AND FRONT END BELL.
2. PRIVATE LABEL TO SPECIFY MODEL #, SERIAL #, AND MFG DATE.
3. PACKAGING: SINGLE PACK 4 / CASE
4. WEIGHT: APPROXIMATELY 8 LBS.
5. PORTS: 1/2" FEMALE NPT THREAD.
6. SEALED MOTOR

UNLESS OTHERWISE SPECIFIED
DIMENSIONS ARE IN INCHES AT 65°F
TOLERANCES ARE:
FRACTIONS: DECIMALS: ANGLES:
±1/64 .X = .030 ±1/2°
.XX = .010
.XXX = .005

© CONCENTRICITY .005 T.I.R.
J. PERPENDICULARITY .0005/IN.
ANGULAR DIMS FOR CHAMPS & CHAMPS ±2°
FILLET RADI .010 TO .030
BREAK CORNERS .005 TO .015 R. OR CHAMP
FINISH AA 125 MICRO IN. PER ANSI B46.1

GEOMETRIC SYMBOLS
PER ANSI-Y14.5
DO NOT SCALE DRAWING

MATERIAL	N/A
FINISH	N/A
APPROVALS	DATE
DRAWN WS	6/27/22
DESIGNED	
CHECKED	
SHEET 1 OF 1	

AQUATEC WATER SYSTEMS INC. 17422 Pullman St., Irvine, Ca. 92614			
SPECIFICATION DRAWING, DIAPHRAGM PUMP, 5518-1EM1-M638			
SIZE	SCALE	PART/DWG NO.	REV
B	NONE	5518-1EM1-M638	

CAD# 5518-1EM1-M638	
PRODUCT CODE	
NEXT ASSY	USED ON
APPLICATION	