

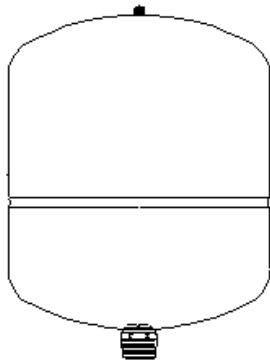
Submittal Data
Challenger Jet Series
Water System Tanks

Job Name: _____ Schedule #: _____
 Location: _____ Model #: _____
 Engineer: _____ Representative: _____
 Contractor: _____

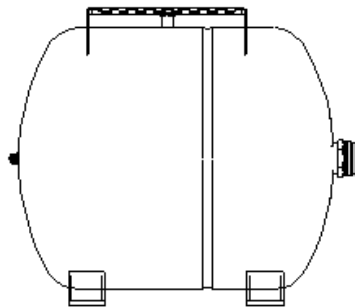
Description
 Challenger Jet (PC) Series tanks are diaphragm type pre-charged hydro-pneumatic tanks designed for residential and commercial water well, pressure booster, and irrigation systems.

Materials of Construction
 Shell: Drawn Steel w/ Epoxy Finish
 Diaphragm: Butyl Rubber
 Connection: Lead free brass
 PC6-PC 25S 3/4" MNPT
 PC 44S 1" MNPT

Ratings
 Maximum Working Pressure 100 PSI
 Maximum Working Temperature 140 F
 Pre-charge (Adjustable) 28 PSI



Inline tanks
PC 6, PC 15,
PC 25



Horizontal tanks
PC 15S, PC 25S,
PC 44S



Tank Specifications					
Model	Capacity Gallons	Dimensions (inches)		Height	Weight (lbs)
		Length	Diameter		
PC 6	2.1	na	9.0	11.3	5.5
PC 15	4.5	na	10.0	15.0	10.0
PC 15S	4.5	15.0	10.0	11.2	11.5
PC 25	8.5	na	12.5	14.0	28
PC 25S	8.5	20.5	12.5	20.0	32
PC 44S	14.0	19.5	16.0	18.2	39



300 Pond St
 Randolph, MA

781.986.2424
 Fax 781.986.2029

www.flexconind.com