

Power Optimizer Specifications – P300 / P400

	P300	P400	
INPUT			
Rated Input DC Power ⁽¹⁾	300	400	W
Absolute Maximum Input Voltage (Voc)	48	80	Vdc
MPPT Operating Range	8 - 48	8 - 80	Vdc
Maximum Short Circuit Current (Isc) of connected PV Module	10		Adc
Maximum DC Input Current	12.5		%
Maximum Efficiency	99.5		%
Weighted Efficiency	98.8		
Overvoltage Category	II		
OUTPUT DURING OPERATION (POWER OPTIMIZER CONNECTED TO OPERATING INVERTER)			
Maximum Output Current	15		Adc
Maximum Output Voltage	60		Vdc
OUTPUT DURING STANDBY (POWER OPTIMIZER DISCONNECTED FROM INVERTER OR INVERTER OFF)			
Safety Output Voltage per Power Optimizer	1		Vdc
STANDARD COMPLIANCE			
EMC	FCC Part15 Class B, IEC61000-6-2, IEC61000-6-3		
Safety	IEC62109-1 (class II safety), UL1741		
Material	UL-94 (5-VA), UV Resistant		
RoHS	Yes		
INSTALLATION SPECIFICATIONS			
Maximum Allowed System Voltage	1000		Vdc
Dimensions (WxLxH)	128 x 152 x 27.5 / 5 x 5.97 x 1.08	141 x 212 x 35 / 5.55 x 8.34 x 1.37	mm / in
Weight (including cables)	770 / 1.7	930 / 2.05	g / lb
Input Connector	MC4 compatible		
Output Wire Type / Connector	Double Insulated; Amphenol H4		
Output Wire Length	0.95 / 3.0	1.2 / 3.9	m / ft
Operating Temperature Range	-40 - +85 / -40 - +185		°C / °F
Protection Rating	IP68 / NEMA6P		
Relative Humidity	0 - 100		%

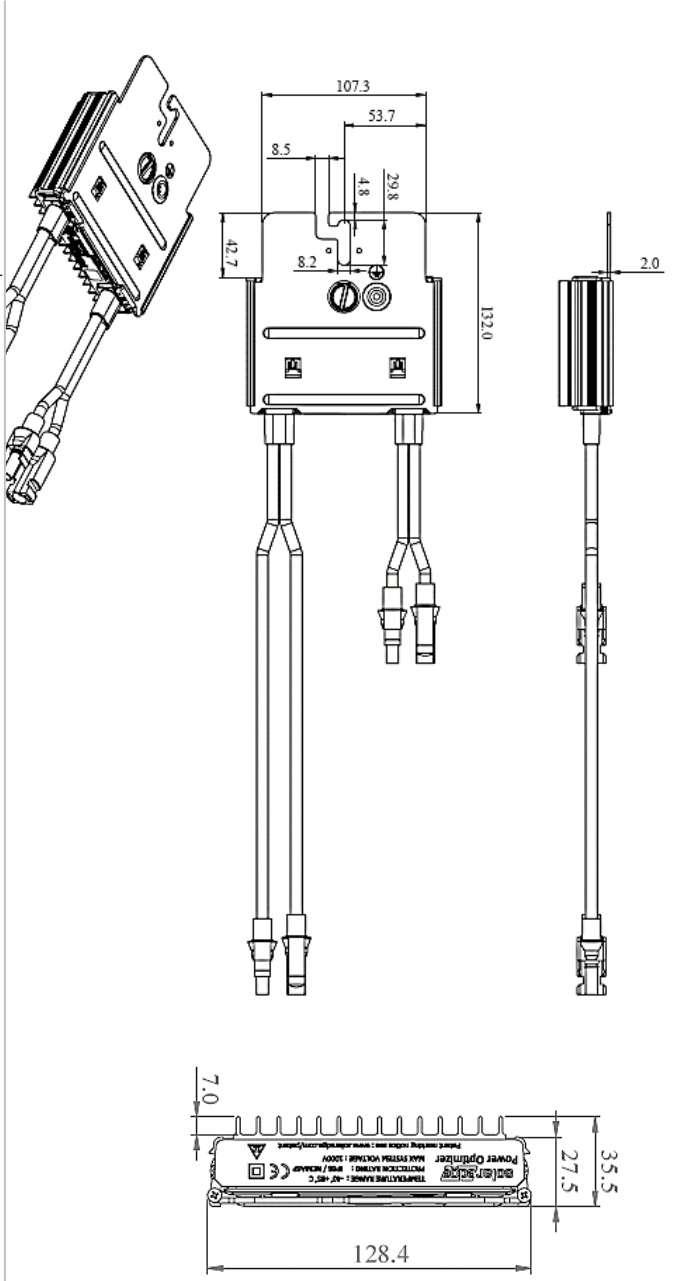
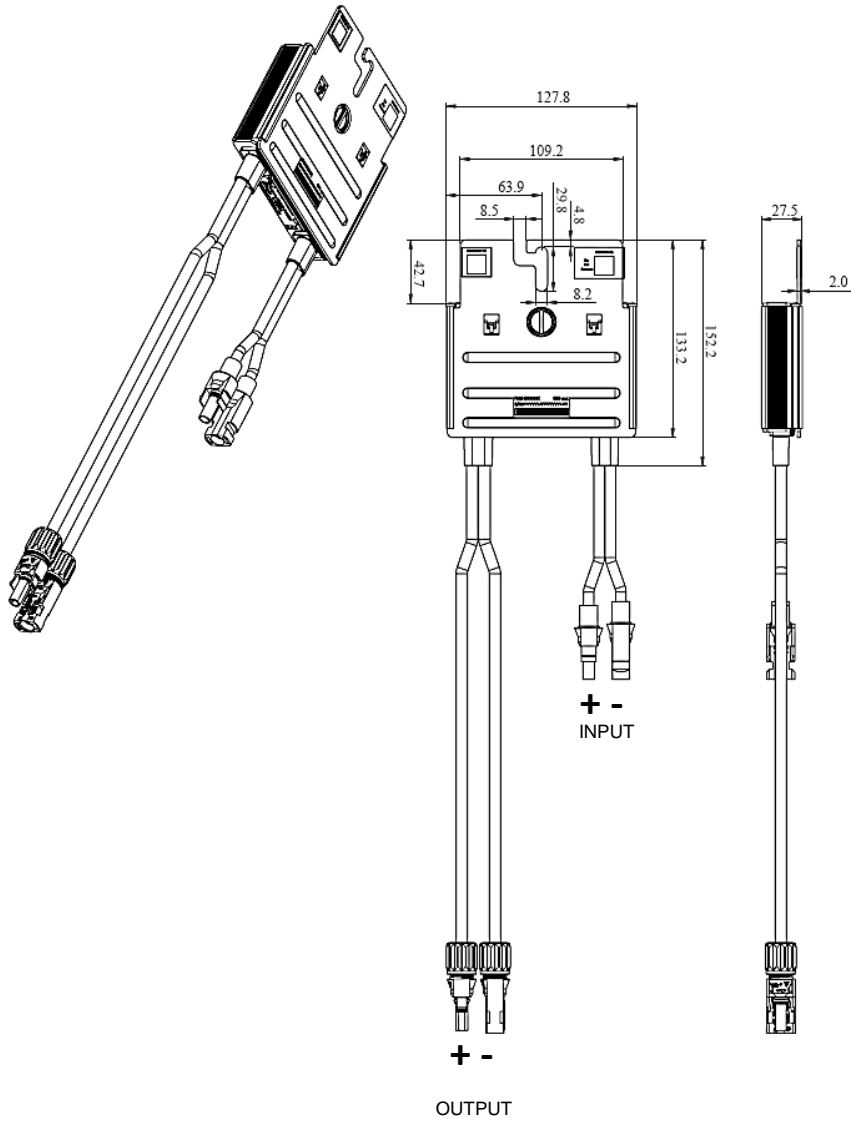
⁽¹⁾ Rated STC power of the module. Module of up to +5% power tolerances allowed

PV SYSTEM DESIGN USING SOLAREEDGE INVERTER	SINGLE PHASE	THREE PHASE 208V	THREE PHASE	
Minimum String Length (Power Optimizers)	8	10	18	
Maximum String Length (Power Optimizers)	25	25	50	
Maximum Power per String	5250	6000	12750	W
Parallel Strings of Different Lengths or Orientations	Yes			

P300

(Dimensions in mm)

P400



MAN-01-00173-1.0