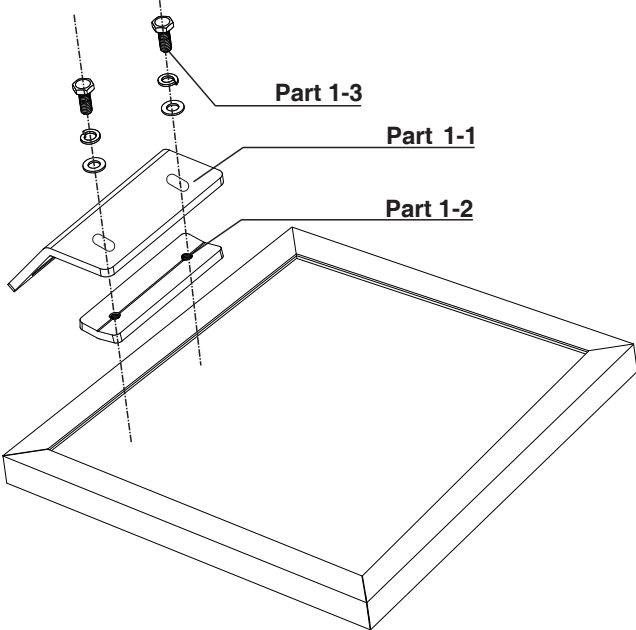
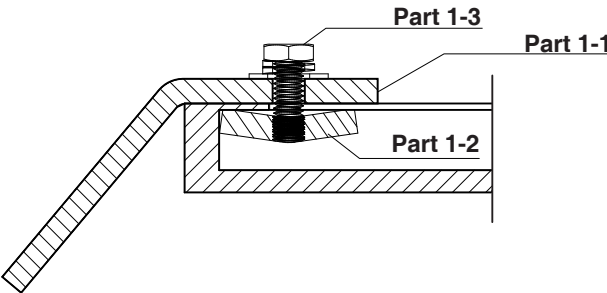


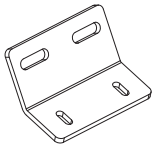
The Solarland® SLB-0119 mounting kit has been specifically design for use with the Solarland® SLP Series 3W – 5W panels. This mount is a fixed.

Components And Parts

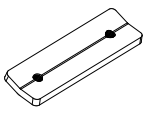



Part

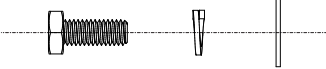
Part 1-1	
Component	Fixed Bracket
Material	5052Al
Quantity	1



Part 1-2	
Component	Clamp
Material	5052Al
Quantity	1



Part 1-3	
Component	Module Bolt(M6)
Material	AISI304
Quantity	2



Step1.

Attach the PV module to the mounting bracket using the clamp, bolts, washers and lock washers provided. We suggest you lubricate all nuts and bolts to facilitate easy removal at a later date.

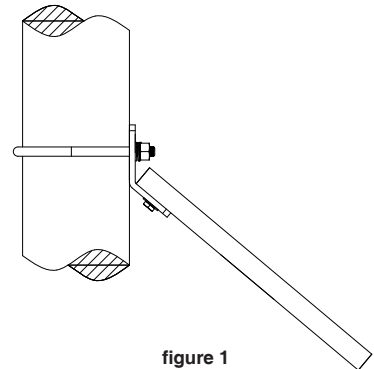


figure 1

Step2.

For pole mounting, use U bolts or steel clamps to fix the PV module and mount assembly to the pole. **See figure 1.** The tilt angle of the PV is situated at 40° to the horizon. The U-Bolts and/or steel clamps are not included in the kit.

Note:

For vertical wall mounting, drill holes on the mounting place to be installed according to size of the fixed bracket. Embed two molly bolts into the mounting surface. **See figure 2.**

Use washers and, lock washers and nuts to secure the PV module and mount assembly to the wall surface.

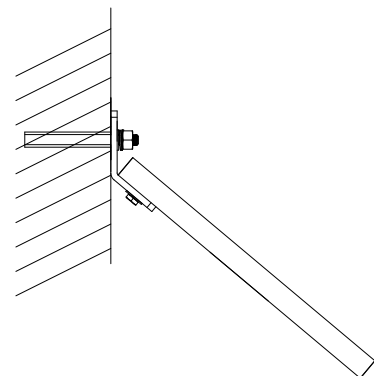


figure 2